



# AFA Exact Double Bowl Inset/Undermount Right Hand Bowl Sink No Taphole 1208mm Stainless Steel

## SPECIFICATIONS

Recommended Use	Domestic, Hotel & Commercial
Material	304 Grade Stainless Steel
Chromium - Nickel Content	18% Chromium 8% Nickel
Gauge	1.2 - 1.5mm
Sink Formation	Welded
Bowl Capacity	28.5 Litres
Waste Type	Basket
Waste Size	90mm
Waste Position	Rear
Fixing	Fixed
Taphole Configuration	No Taphole
Overflow Configuration	No Overflow
Sound Deadening Pads	Yes

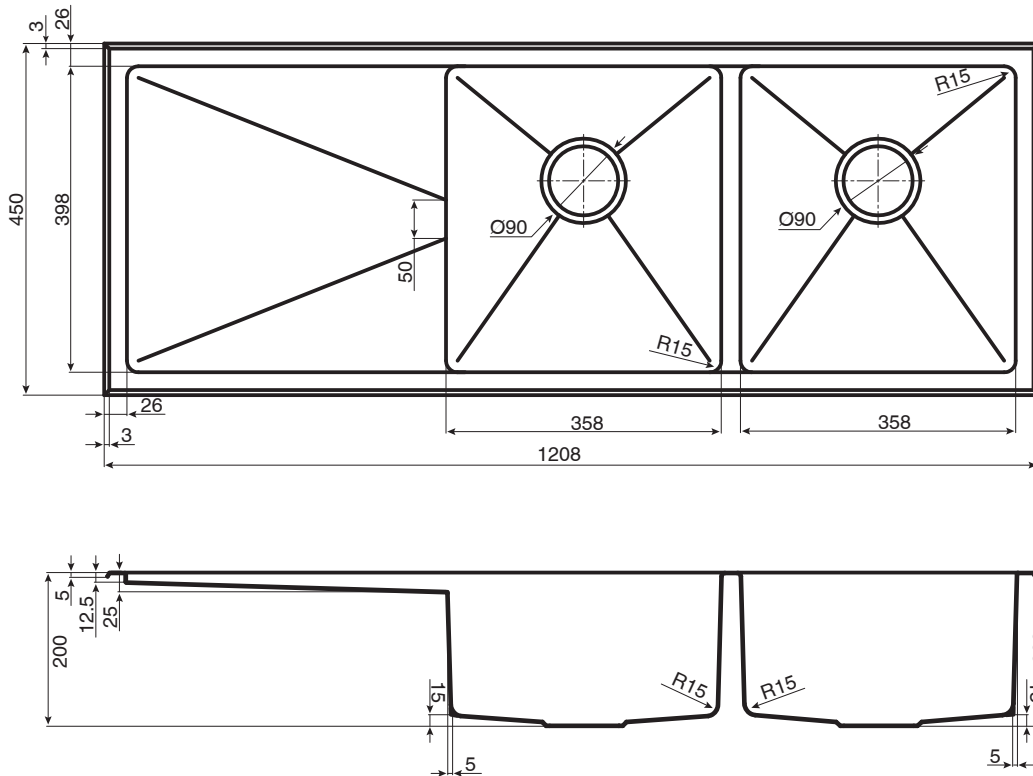


## WARRANTY

Warranty - Domestic Use	30 Years
Spare Parts & Labour	12 Months

Please refer to Warranty Page for full Terms and Conditions

Sinks must be installed using a cutout template. No responsibility will be taken for damage that occurs where a template has not been used.



Dimensions are nominal measurements only.

**Disclaimer:** Products in this specification manual must by regulation be installed by licensed and registered trade people. The manufacturer/distributor reserves the right to vary specifications or delete models from their range without prior notification. Dimensions are nominal measurements only. Dimensions and set-outs listed are correct at time of publication however the manufacturer/distributor takes no responsibility for printing errors.

Published 16/07/2019

To see the complete AFA range go to [www.reece.com.au/bathrooms](http://www.reece.com.au/bathrooms)

