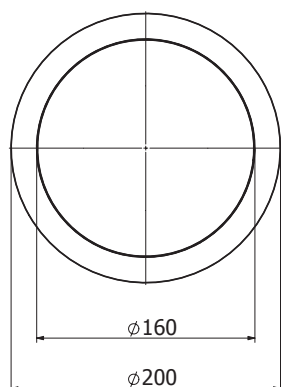
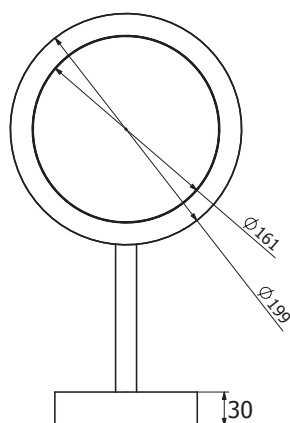
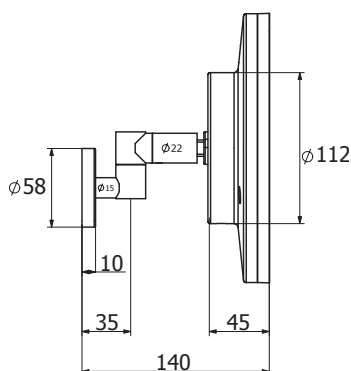


MILLI

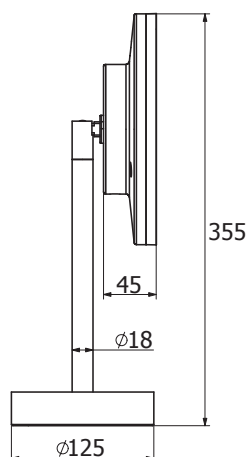
LED MIRRORS



WALL MOUNT



FREESTANDING



To see the complete Milli range go to www.reece.com.au/bathrooms

SPECIFICATIONS

Recommended use	Domestic, hotel and commercial.
Features	3x magnifying backlit mirror Rechargeable battery Approximately 3-4 hour battery life Solid brass construction Tiltable. Wall mount mirror also swivels.
Wattage	3W

CLEANING RECOMMENDATIONS

We recommend the use of soapy water or approved cleaners. This product should not be cleaned with abrasive materials or cleaning agents. Damage caused by improper treatment is not covered by the product warranty - refer to warranty conditions.

Disclaimer: Products in this specification manual must by regulation be installed by licensed and registered trades people. The manufacturer/distributor reserves the right to vary specifications or delete models from their range without prior notification. Dimensions are nominal measurements only. Dimensions and set-outs listed are correct at time of publication however the manufacturer/distributor takes no responsibility for printing errors.

Tech Page Version 1

Milli

reece

MILLI LED MIRRORS

Attention! Please charge the batteries for approx. 2.5 hours before first use.

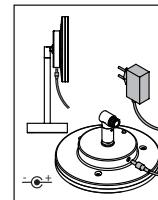
General description:

This magnifying mirror contains LED lights, a built-in battery charger and an external power supply unit. The mirror can be turned on/off by a switch on the rear side of the mirror. The magnifying mirror has the following features:

- 30 minutes automatic switch-off
- Protection to avoid over charging and exhaustion
- Fast charging batteries
- Auto warning of low battery voltage

Technical data:

- Voltage: 100-240V AC /50-60Hz
- Battery: Mignon (AA), 1.2V / 1600-2000mAh, 6 pieces
- Power supply unit: 12V DC 1000mA
- Recharge time: 2-2.5 hours
- Safe functioning temperature: 5-35°C



Switch on/off:

The mirror can be turned on and off by pressing the switch on the rear side of the mirror. To turn off by pressing the switch, the light will slowly dim before turning off completely.

The mirror has a timer set and will automatically turn off after 30 minutes.

Recharging batteries:

Plug in the power supply unit into the electrical port on the rear side of the mirror at first, then plug it into an electrical socket.

The power supply unit and the battery port will get warm during charging period.

The LED light will blink 3 times before the batteries are exhausted.

Unused rechargeable batteries will lose their charge over idle periods. To avoid this problem, simply recharge unused batteries every two months in order to assure maximum charge.

Loading/changing batteries:

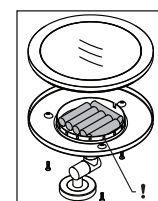
In case that a rechargeable battery can no longer be fully charged, disposal is recommended.

Please always use NiMH rechargeable batteries with capacity 1600-2200mAh, Mignon (AA), same type regarding capacity, producer etc.

To change the batteries, remove 3 screws on the rear side of the mirror, carefully remove the front mirror with acrylic frame. Attention! Please do not touch the LED strip!

Carefully place 6 rechargeable batteries in the appropriate +/- position, then put the front mirror with acrylic frame and get it fixed by 3 screws on the rear side of the mirror.

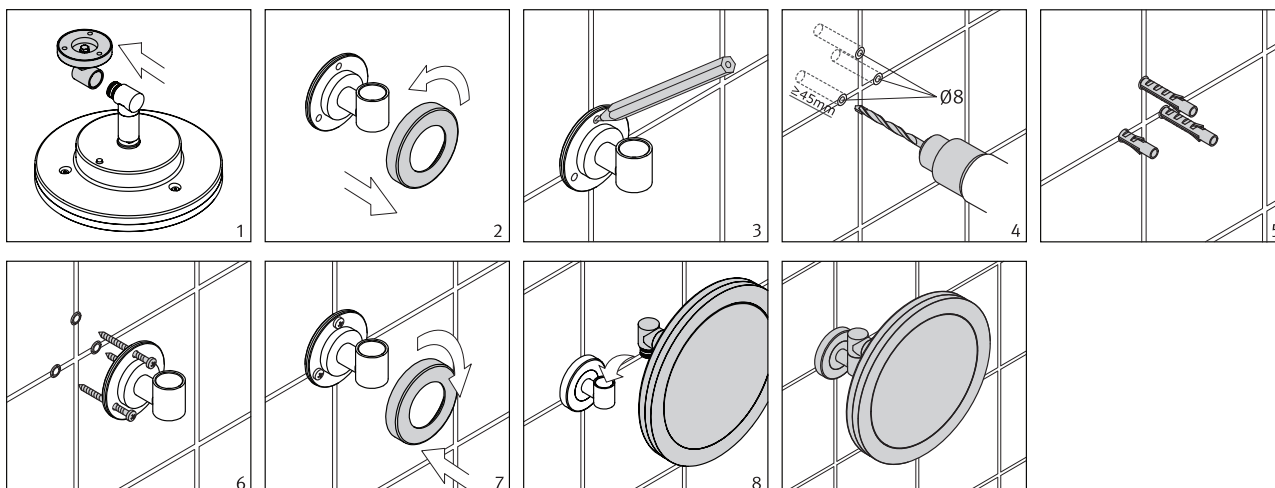
Attention! Please observe your local environmental regulations to dispose the used batteries!



MOUNTING INSTRUCTIONS

Note

Wall materials vary. The accessory fixing kit supplied is suited for solid wall fixing. For timber framed walls, please ensure the accessory is fixed to a noggin/stud behind the wall. Where stud/noggin is not available, please use suitable hollow wall fixing.



Please ensure a copy of the installation instructions is left with the end user for future reference

Milli

reece