



WELS REG#
P Trap: L06693
S Trap: L06694



Scan QR code to view online



features and benefits

- WELS and WaterMark certified
- Ultra vandal resistant
- Safety radius front edge
- Free of ligature points
- Contraband-proof flushing rim
- Concealed fixings
- Satin stainless finish
- Unique blockage resistant trap
- Option for fitted toilet seat
- Option for permanently sealed access panels (maximum security projects)
- Suits detention facilities and public amenities

about

The *BRITEX Centurion Toilet Pan* is seamless, fully shrouded and manufactured from heavy gauge grade 304 satin S.S. making it easy to clean and providing optimal strength. Incorporating radius edges for added safety, a pressed internal bowl and unique trap design, the Centurion pan is extremely water efficient (4.5/3 litre) and much less susceptible to costly blockages in public amenities. Additionally, it incorporates a contraband-proof flushing rim and is free of ligature points making it ideal for installing in correctional facilities and holding cells. Access panels come standard on both sides of the pan for easy installation and a toilet seat can be fitted if required. WaterMark and WELS certified as required by plumbing regulations and government legislation.

sample spec. text

BRITEX S.S. Centurion Toilet Pan - 4 WELS rating and WaterMark certified. S/P Trap, 14mm safety radius front edge, fully shrouded to rear wall and 2 x access panels. Complete with toilet seat, code XXXX. - Product Code PCX*

*RED TEXT may denote a variable where one option only is to be selected, a nominal dimension that needs to be specified, or an optional feature that can be removed if not required. Please refer to the back of this page for additional specification details and options.

VISIT BRITEX.COM.AU TO DOWNLOAD BIM FILES, CAD DRAWINGS AND THE MOST CURRENT PRODUCT LITERATURE.



MELBOURNE
Britex Place, Mirra Crt
Bundoora VIC 3083
t (03) 9466 9000
f (03) 9466 9011

SYDNEY
16 Northumberland Drv
Taren Point NSW 2229
t (02) 9531 2100
f (02) 9531 2800

PERTH
Unit 1/8 Principal Link
Malaga WA 6090
t (08) 9249 5464
f (08) 9248 6893

BRISBANE
19 Manila St
East Brisbane QLD 4169
t (07) 3363 2400
f (07) 3363 2444

ADELAIDE
The Britex Group
SA State Office
t 1300 764 744
f 1300 784 306

CENTURION PAN

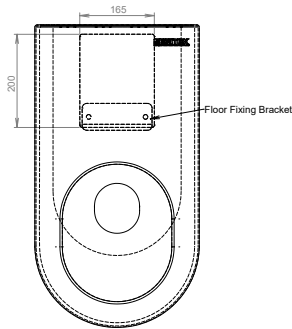
PRODUCT CODE

PCS S Trap Model

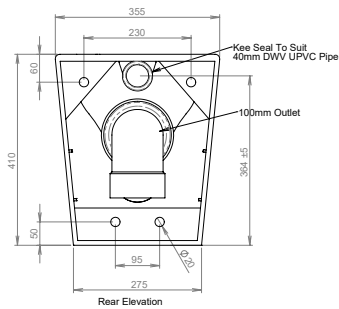
PCP P Trap Model

MAXIMUM SECURITY MODEL AVAILABLE

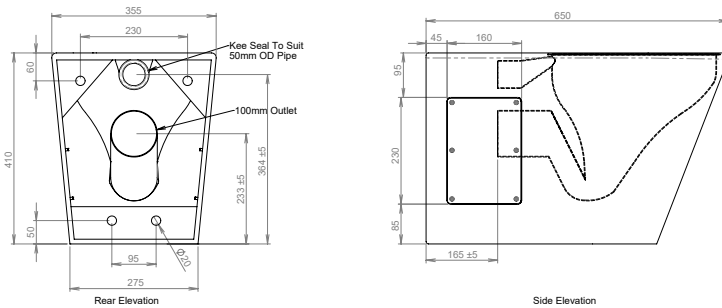
Add '-MS' to the end of the above product codes to specify a maximum security, rear access only model supplied with permanently sealed side access panels.



MODEL PCS / PCP Plan



MODEL PCS Side and Rear Elevation



MODEL PCP Side and Rear Elevation

When specifying this product please include:



- Product **Name** and **Code**
- Product **Dimensions**
- Product **Features / Options**
- **P** or **S Trap**
- **Seat Model** (if required)



- Toilet Seat see p 2.18
- S or P trap configurations
- Top entry to suit wall mount cistern
- Britex Cistern - see Flushing Section:3
- Permanently sealed access panels for maximum security projects
- Custom material thickness - consult BRITEX

VISIT BRITEX.COM.AU TO DOWNLOAD BIM FILES, CAD DRAWINGS AND THE MOST CURRENT PRODUCT LITERATURE.

Last Revised 2020



Due to ongoing research and our commitment to product development, details are subject to change without notice. Details accurate at time of print. Please refer to britex.com.au for the most current product information. Allow +/- 5mm tolerance for dimensions and setouts shown in product literature.

britex.com.au | info@britex.com.au | A.B.N 83 004 309 737

