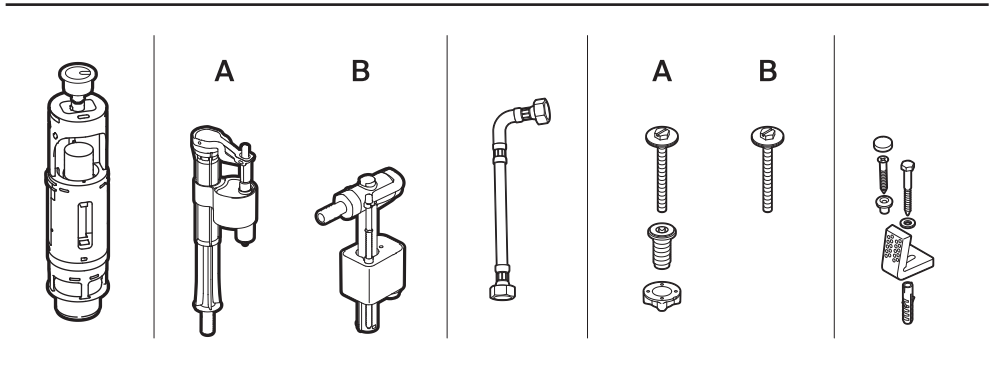




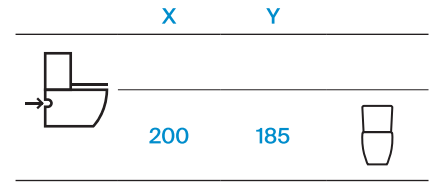
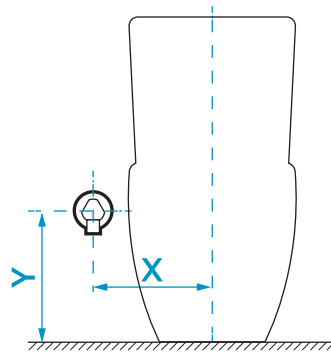
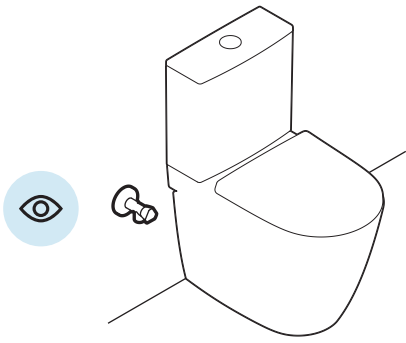
Roca Ona CCBTW





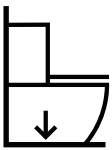
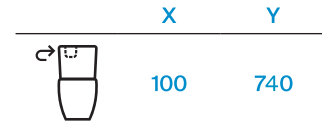
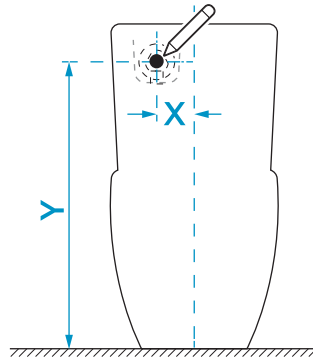
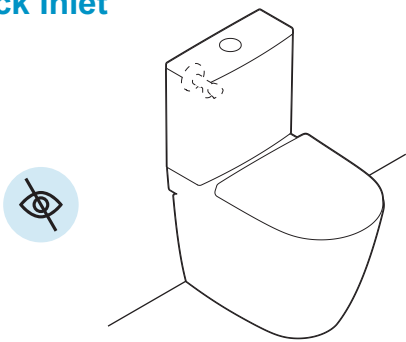
(mm)

Bottom Inlet

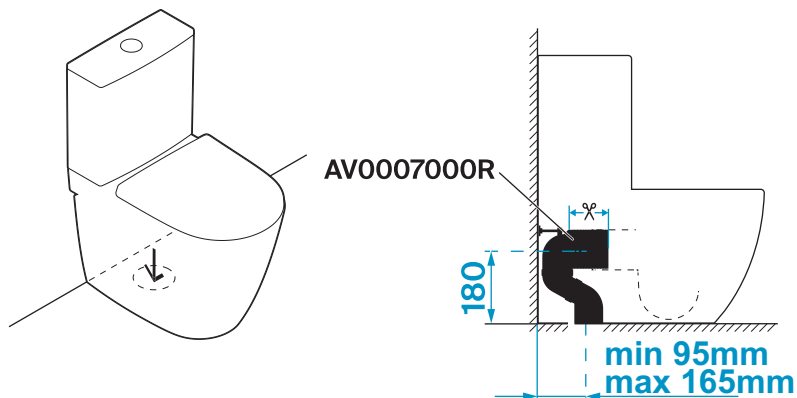


Note: Can Be LHS or RHS, Flexi Hose and Stop Valve not supplied.

Back Inlet

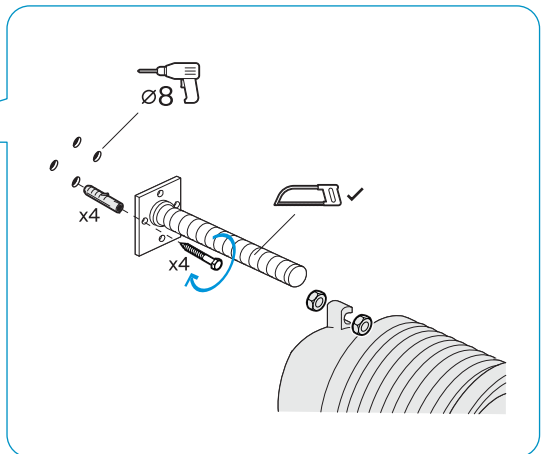
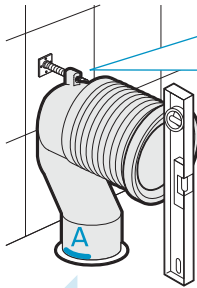
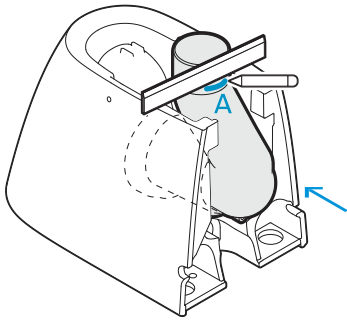


(mm)

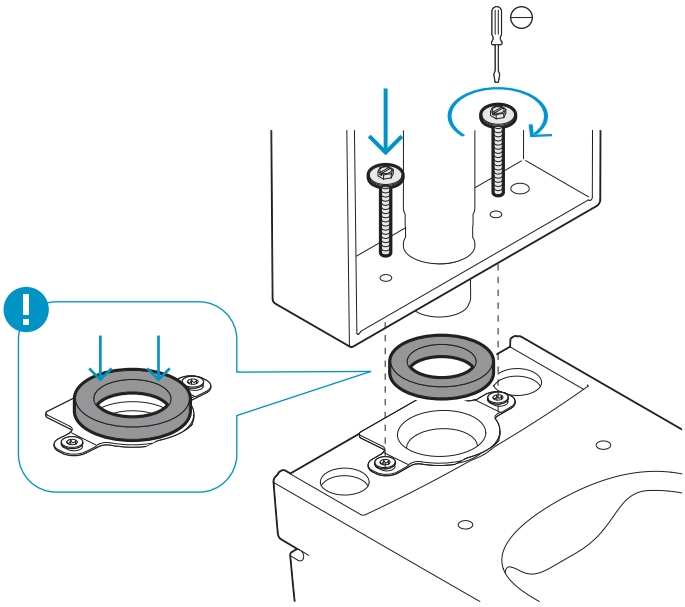
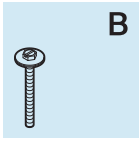
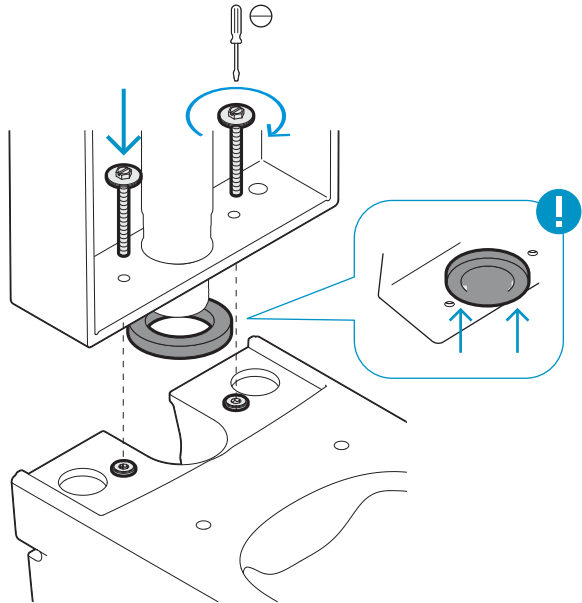
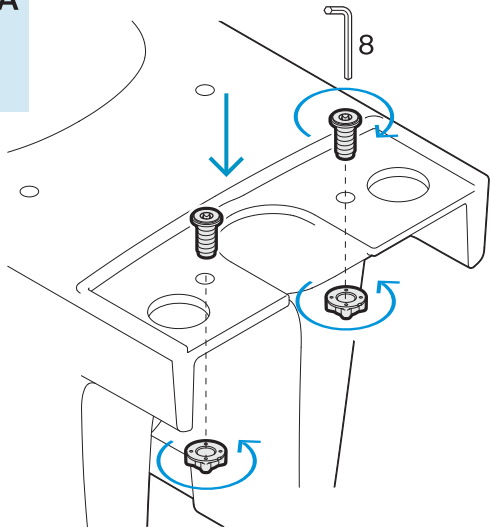
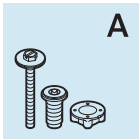




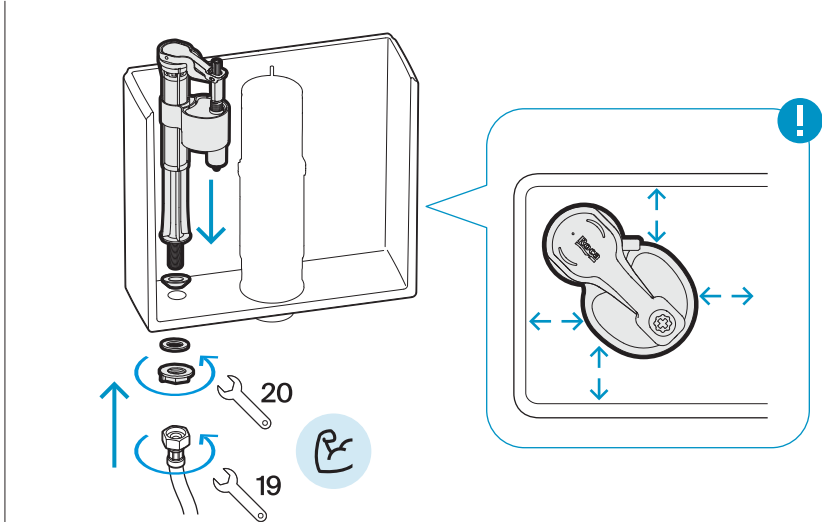
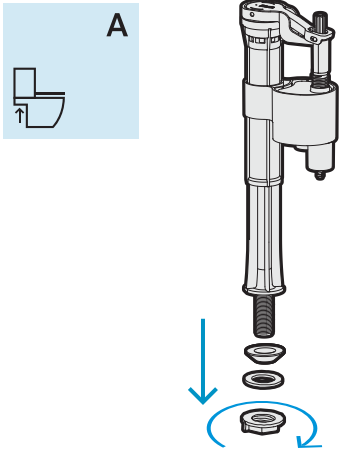
1



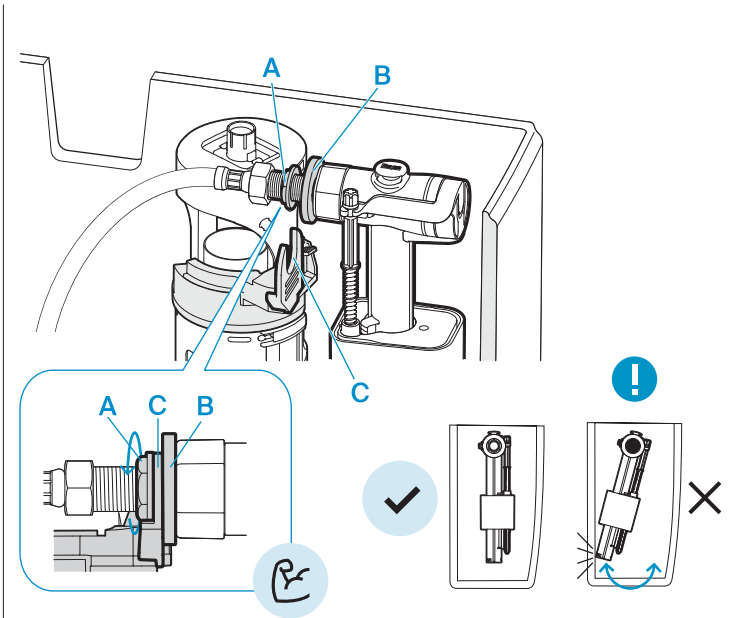
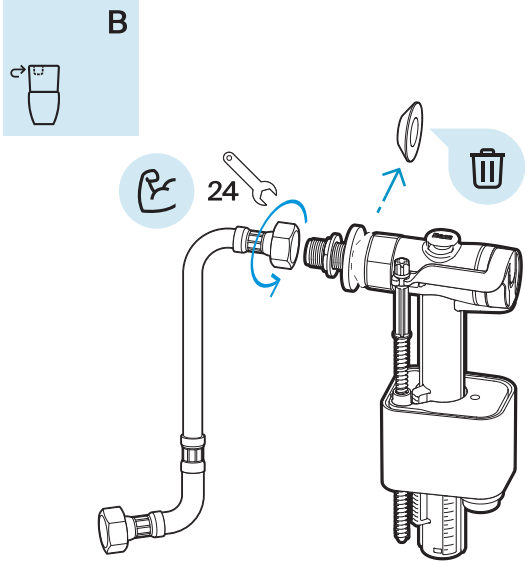
2



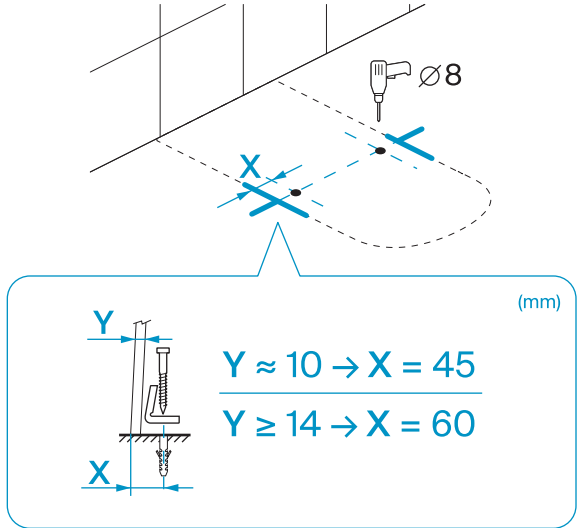
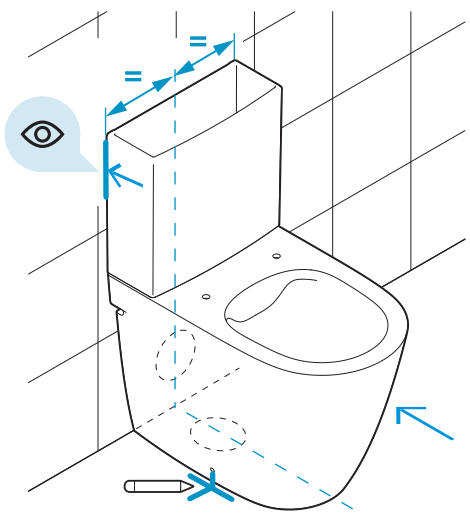
3



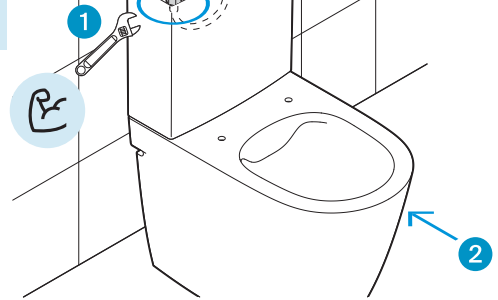
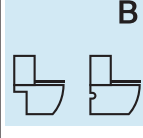
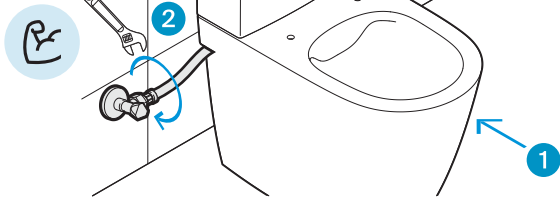
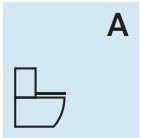
! Check that all inlet valve and outlet valve nuts are tight.



4



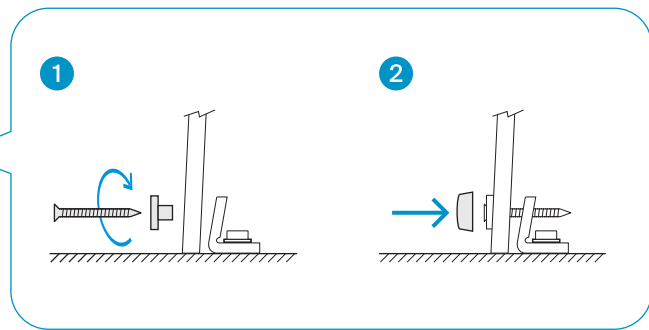
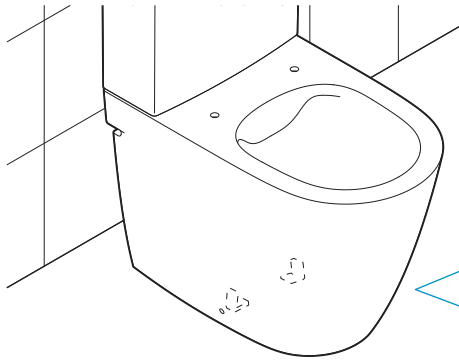
5



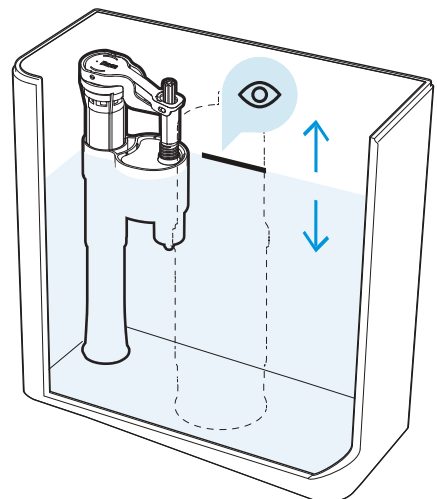
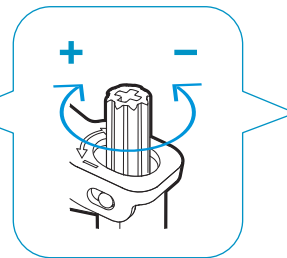
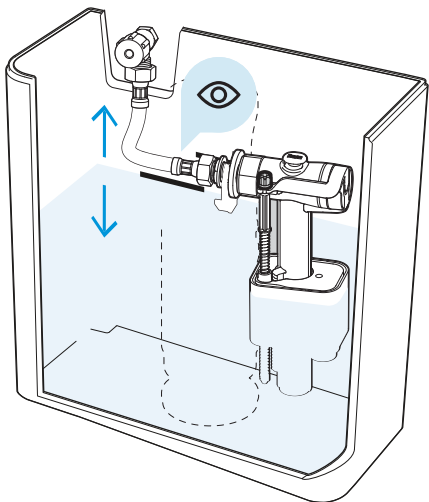
! For bottom inlet flex hose and stop not supplied.

! DO NOT SUBMERGE HOSE IN WATER

6

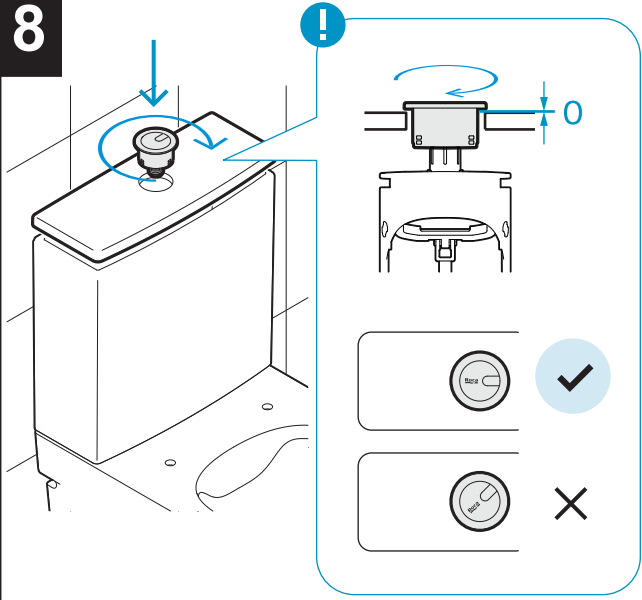


7

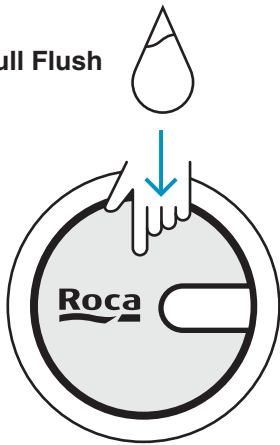


! DO NOT SUBMERGE HOSE IN WATER

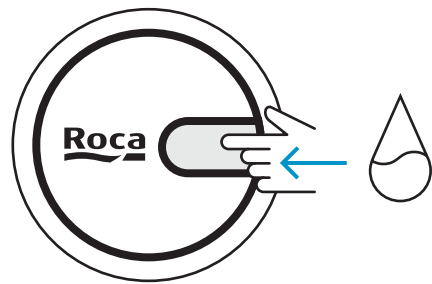
8

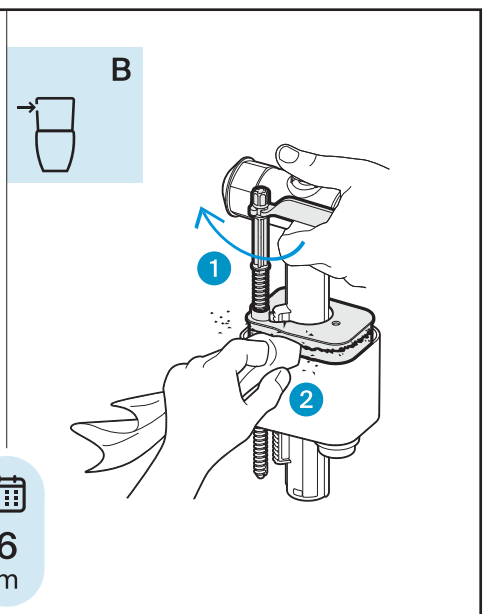
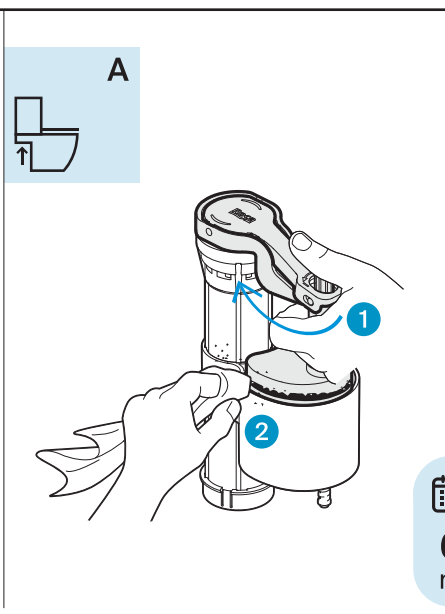
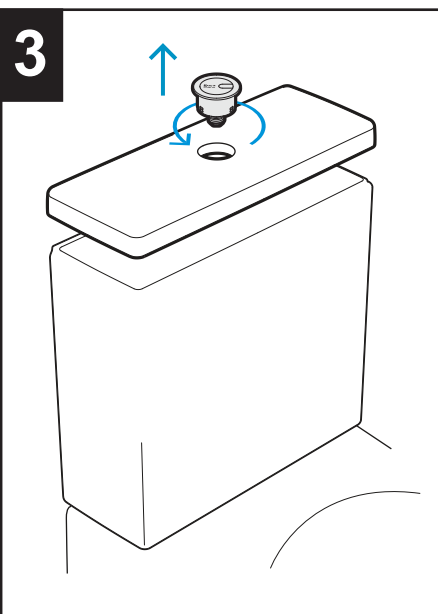
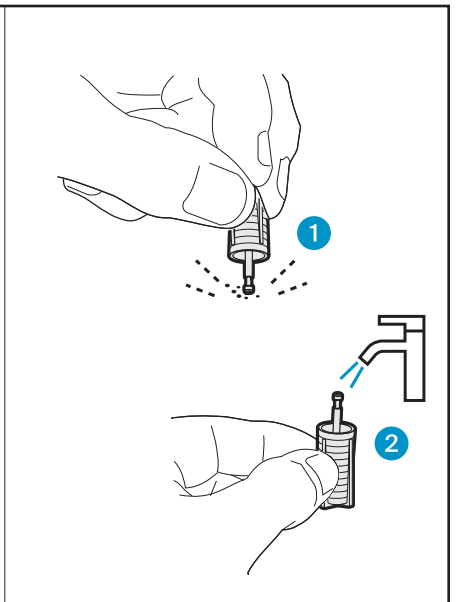
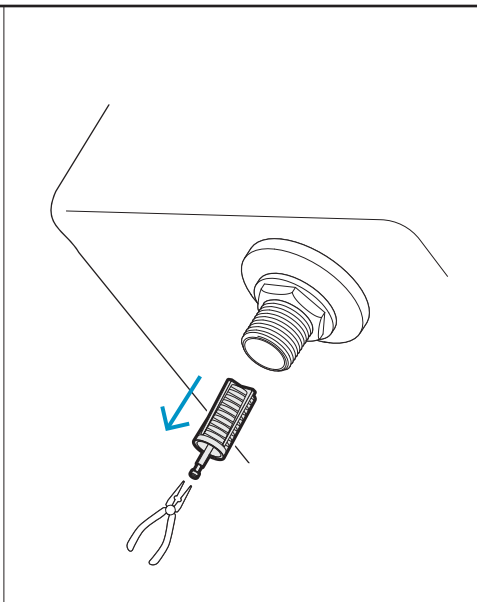
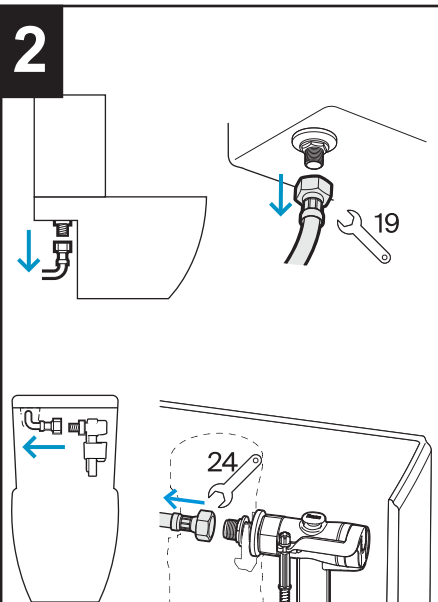
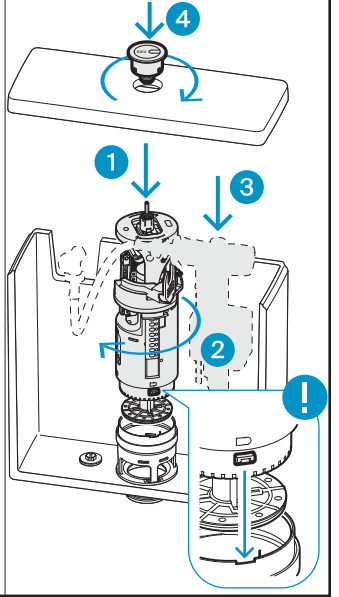
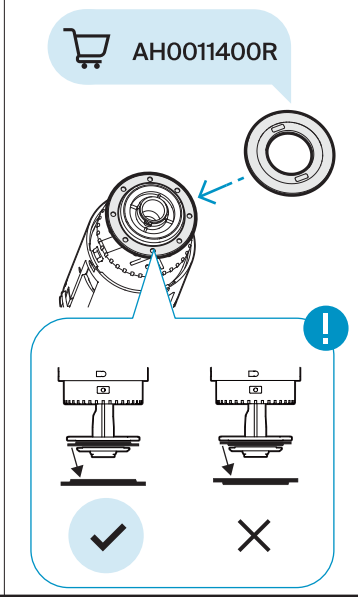
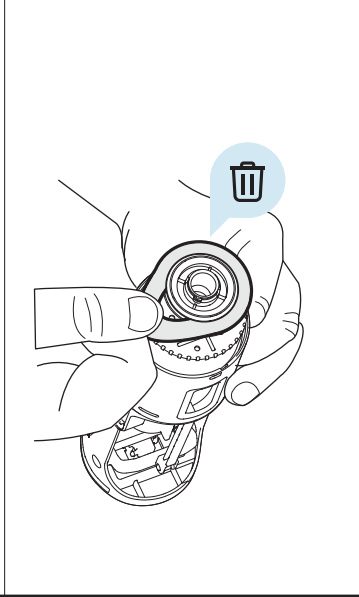
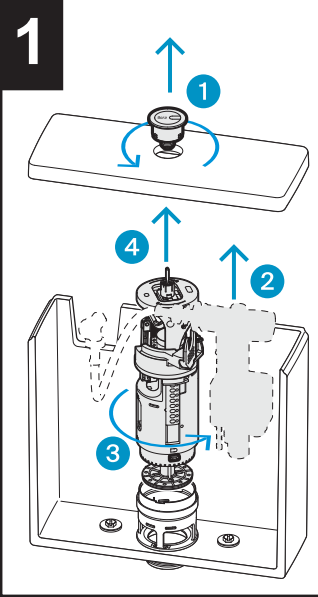


Full Flush



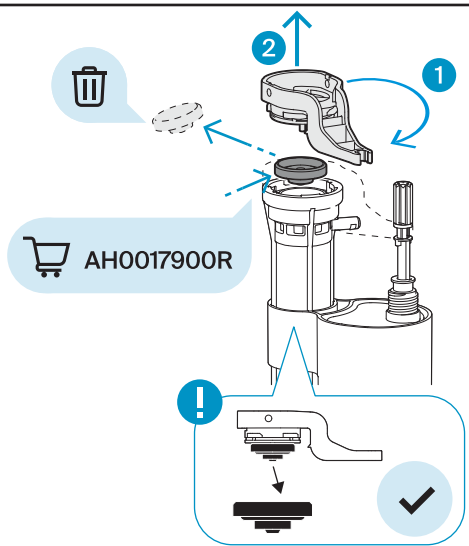
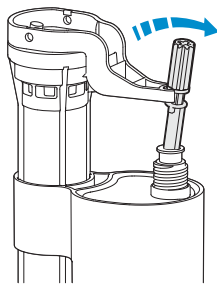
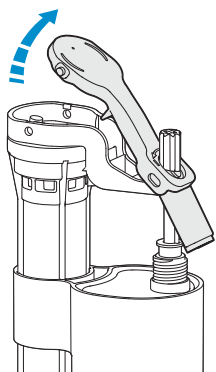
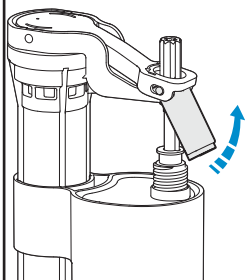
Half Flush





6 m

4



Date 11/07/2024

Roca Sanitario, S.A.
Avda. Diagonal, 513
08029 Barcelona
SPAIN
www.roca.com

933 LÍNEA DE ATENCIÓN
661 AL CONSUMIDOR
266 ESPAÑA

SERVICIO TÉCNICO
ESPAÑA



productsupport.rs@roca.net
soporteproducto.rs@roca.net



A392503000-I