

Butterfly Semi Inset Vanity Unit



SPECIFICATIONS

Recommended Use	Domestic, Hotel & Commercial
Vanity Cabinet Material	American Oak veneer (19mm)
Vanity Frame Material	2 Pack Polyurethane on High Moisture Resistant MDF
Drawer Design	Soft close drawer/s
Benchtop Material	Corian (12mm)
Handles Material	Solid American Oak
Colour Variations (Prices may vary)	Please refer to the Colour, Finish and Material Variations Document on the Website for more information.
Fixing	Bolted / Screwed to Wall by a Licensed Trades Person (not included)
Basin	Sold Separately, refer to Brochure
Tapware	Sold Separately. Compatible with Wall mounted tapware



To see the complete Issy range go to www.reece.com.au/bathrooms

STANDARD SIZES	Z11-SEM500	Z11-SEM700	Z11-SEM1000	Z11-SEM1200	Z11-SEM1500	Z11-SEM1800
Width (mm)	500	700	1000	1200	1500	1800
Depth (mm)	450	450	450	450	450	450
Height (mm)	390	390	390	390	390	390
Number of Drawers	1	1	3	3	4-5	4-5
Basin Options	1	1	1	1	1-2	1-2

CUSTOM SIZES	Z11-SEM400-600	Z11-SEM601-800	Z11-SEM801-1100	Z11-SEM1101-1300	Z11-SEM1301-1600	Z11-SEM1601-1800	Z11-SEM1801-2000
Width (mm)	400-600	601-800	801-1100	1101-1300	1301-1600	1601-1800	1801-2000
Depth (mm)	450	450	450	450	450	450	450
Height (mm)	390	390	390	390	390	390	390
Number of Drawers	1	1	3	3	4-5	4-5	4-5
Basin Options	1	1	1	1	1-2	1-2	1-2

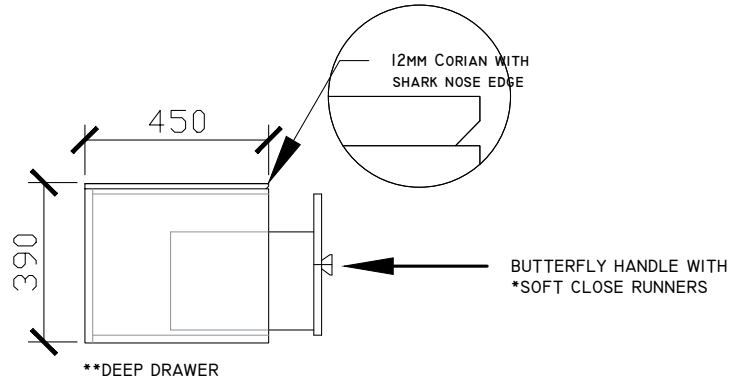
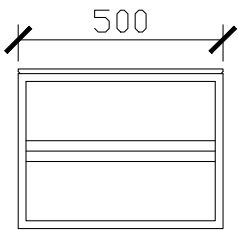
Disclaimer: Products in this specification manual must by regulation be installed by licensed and registered trade people. The manufacturer/distributor reserves the right to vary specifications or delete models from their range without prior notification. Dimensions are nominal measurements only. Dimensions and set-outs listed are correct at time of publication however the manufacturer/distributor takes no responsibility for printing errors.

Published 16/02/2024

Butterfly Semi Inset Vanity Unit

STANDARD SIZES

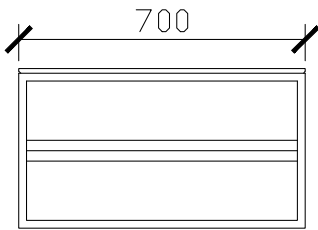
500mm



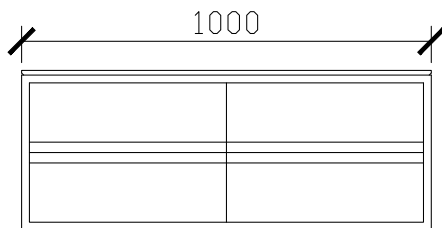
SIDE VIEW for all sizes

*Please note: Deep drawer/s will be placed under the semi inset waste cutout and double drawers opposite

700mm



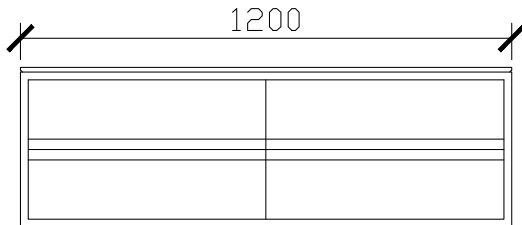
1000mm



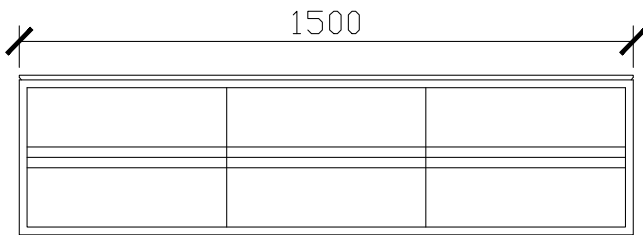
Butterfly Semi Inset Vanity Unit

STANDARD SIZES

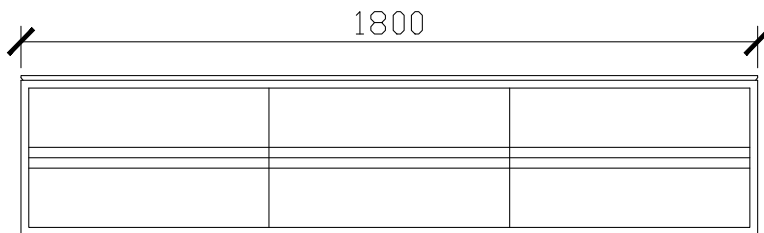
1200mm



1500mm



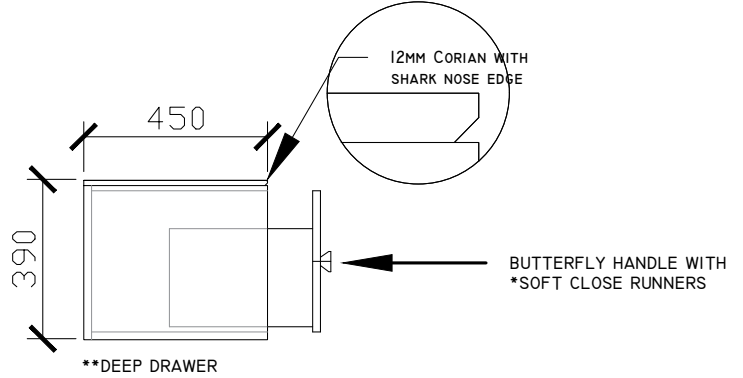
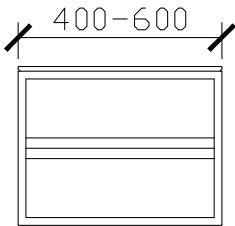
1800mm



Butterfly Semi Inset Vanity Unit

CUSTOM SIZES

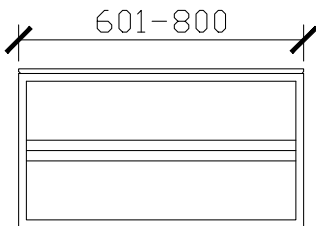
400-600mm



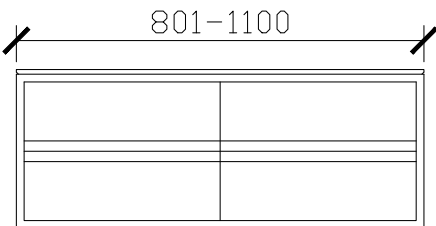
SIDE VIEW for all sizes

*Please note: Deep drawer/s will be placed under the semi inset waste cutout and double drawers opposite

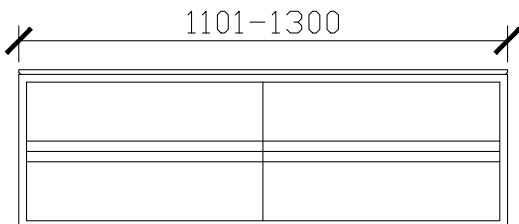
601-800mm



801-1100mm



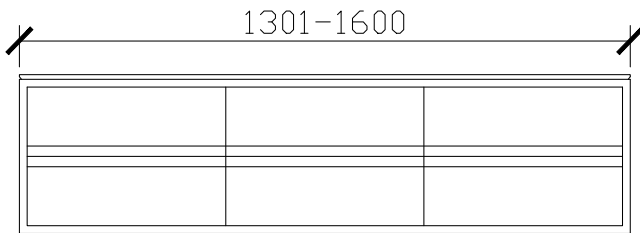
1100-1300mm



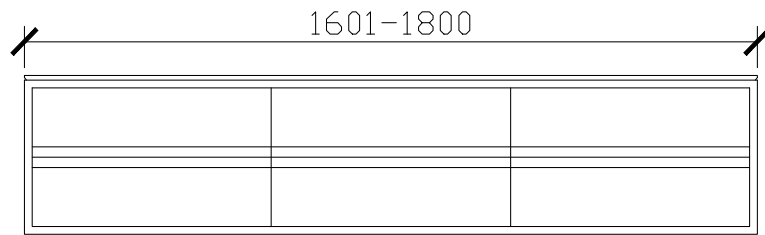
Butterfly Semi Inset Vanity Unit

CUSTOM SIZES

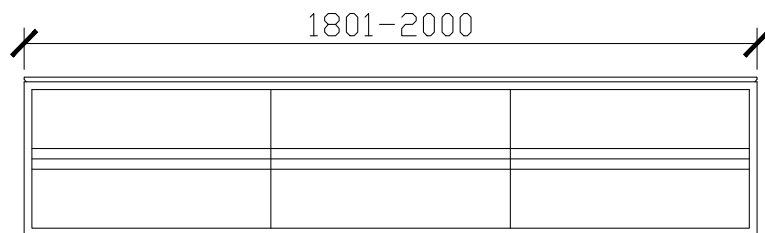
1301-1600mm



1601-1800mm



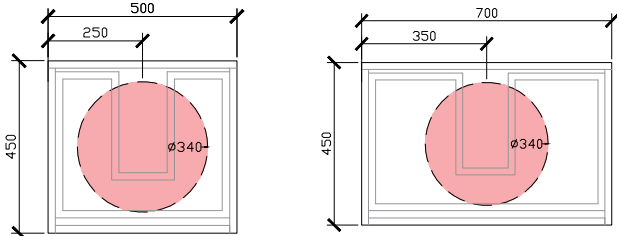
1801-2000mm



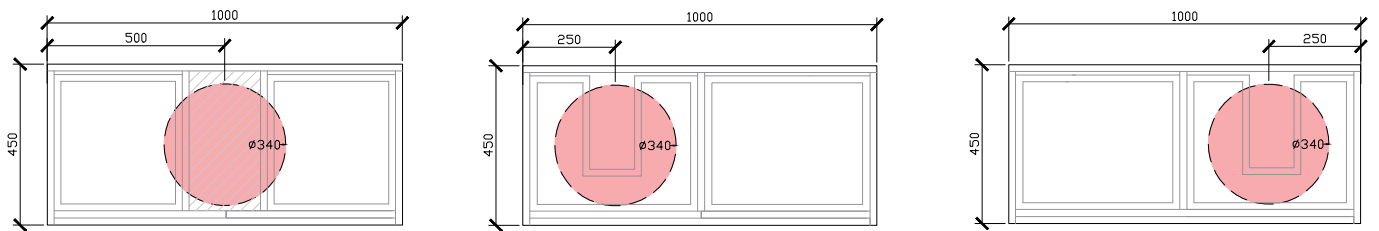
Butterfly Semi Inset Vanity Unit

ROCA INSPIRA SOFT SQUARE SEMI-INSET & ROCA INSPIRA ROUND SEMI-INSET
340DIA CORIAN CUTOUT

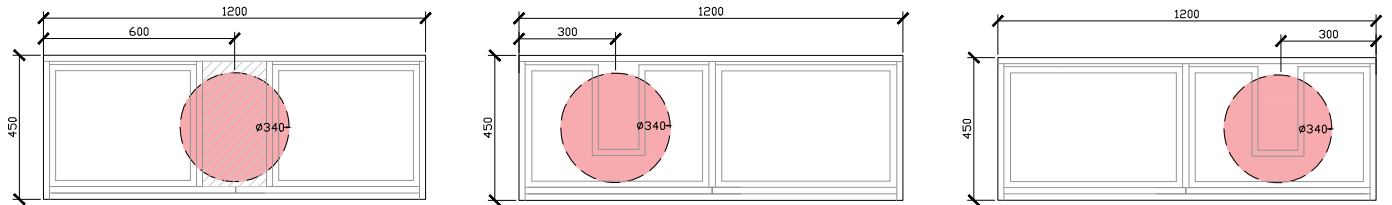
500 - 700W: CENTRAL ONLY



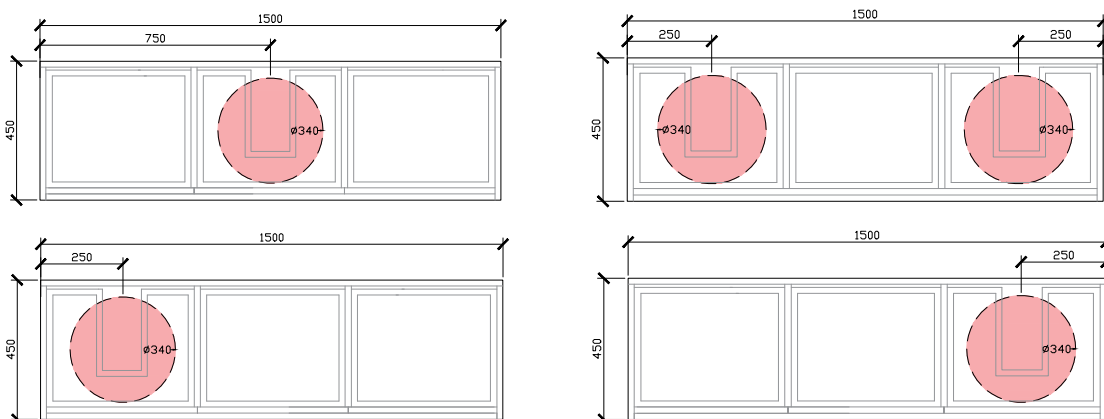
1000W: CENTRE VOID | OFFSET LEFT & RIGHT



1200W: CENTRE VOID | OFFSET LEFT & RIGHT



1500W: CENTRAL & DOUBLE BASIN | OFFSET LEFT & RIGHT



Butterfly Semi Inset Vanity Unit

ROCA INSPIRA SOFT SQUARE SEMI-INSET & ROCA INSPIRA ROUND SEMI-INSET
340DIA CORIAN CUTOUT

1800W: CENTRAL & DOUBLE BASIN | OFFSET LEFT & RIGHT

