

KADO

ASPECT VANITY

PRIOR TO INSTALLATION

A licensed tradesperson must install your Rifco vanity

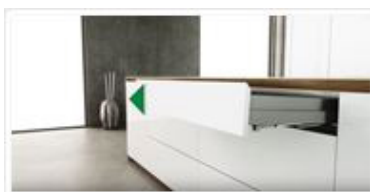
It is the responsibility of the purchaser to examine and check the vanity for suitability and damage BEFORE installation.

Once the vanity has been installed, no claims for damage or incorrect goods can be made.

Please check all goods for damage and notify point of purchase of any damage/missing products.

INSTALLATION INSTRUCTIONS

1. Remove the drawer



Open the drawer about 80%



Pull upwards, not too hard, you'll hear the click

Place drawer in a safe spot.

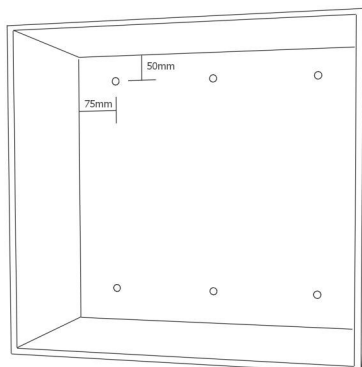
To ensure the longevity of the unit, no part should be never be dragged, stood on and it is recommended that the drawer runners are covered to prevent dust blocking the runners.

2. Remove the top from vanity ensuring it is in a safe spot, where it cannot be damaged/marked. No claims for damages will be recognised after installation.

3. Having established the position of the vanity on the wall, mark and drill the holes for your plumbing fixtures (ie waste outlet, hot and cold water inlets) Move vanity into position and ensure it is level and square. This may require packing behind and/or below the vanity.

4. Once it is level and square, fix the vanity to the wall using the correct fitting depending on your wall (no fixing supplied). If using standard screws and star plugs, be sure to use the washers in order to spread the load.

Position fixings as shown below:



The number of fittings used to fix cabinet will depend on the size of unit, your installer will know the suitable amount depending on the size of your cabinet.

It is recommended the following minimum;

Up to 900 width of vanity – 3 per row

900 to 1200 width of vanity – 4 per row

For wall hung vanities, it is essential the unit is fixed securely.

The use of dyna bolts is recommended for masonry wall and fixing to studs in cavity walls.

It is not recommend to install wall hung vanities with toggle type fixing systems.

KADO

ASPECT VANITY

5. Connect the water supply lines and waste outlet.
6. Replace drawer back onto the vanity unit and make any necessary adjustments.



Pull the runners all the way out and sit the drawer on top



Push all the way in until you hear the click on both sides

7. Fix the top to the vanity unit using quality bathroom use silicone.
The gap between the wall and top will need to be filled with silicone.
The vanity unit must then be sealed to the wall on all edges with silicone.

DRAWER ADJUSTMENT

It is the responsibility of the installer to make any adjustments to the drawer after installation (if required)
There may have been some movement in transportation and installation which causes drawers to become unaligned.

Drawer Adjustment Front Left / Right



There is a small metal latch under the drawer. Push it back halfway. Full push releases the drawer front



Using slight pressure, move the drawer front in the desired direction.
Repeat on both sides

Drawer Adjustment Front Up / Down



Half turn 1x screw to unlock the height adjustment.



The larger bottom screw adjusts the drawer height +/- 2mm.

Drawer Front Tilt Adjustment



Adjust tilt with a screwdriver from underneath the front cover cap



Half turn 1x screw to unlock the height adjustment.

KADO

ASPECT VANITY

PUSH TO OPEN DRAWER INSTRUCTIONS

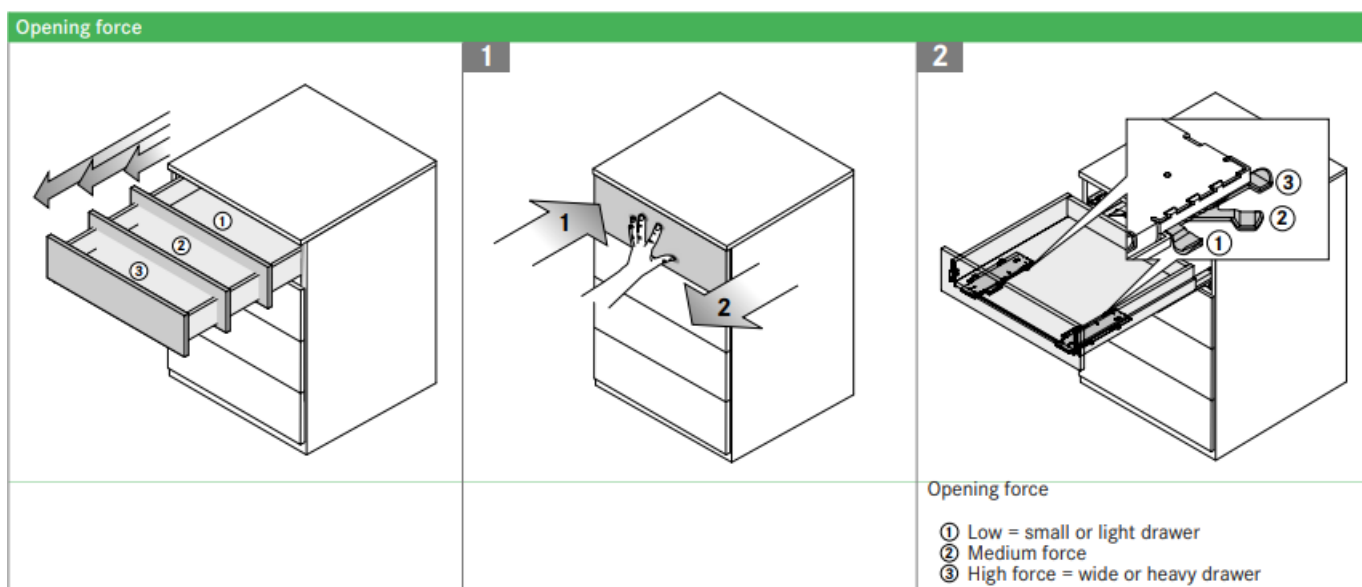
Adjustment is available for the opening projection of the drawer, by utilising the green coloured lever located under each side of the drawer runner (see diagram #2)

These levers allow you to adjust the opening force of the drawer:

- 1) Is minimal opening force
- 2) Is medium opening force
- 3) Is the largest opening force

For standard vanity use, and recommended by Reece and Grass, the unit comes pre-set at setting 1.

For the drawer to close properly, it must be opened by a distance of no less than 100mm from the closed position prior to attempting to close the drawer, otherwise the mechanism wont allow the drawer to close.



Scan the QR code for video instructions

KADO

ASPECT VANITY

CARE AND MAINTAINANCE

The Aspect vanity is manufactured from water resistant materials but are not waterproof.

Care must be taken to immediately dry any spillage or leakage of water.

Please also ensure bathroom is well ventilated and out of direct sunlight for long periods of time.

LAMINATE TIMBER TOP:

Using a mild household spray wipe down the benchtop with a soft cloth. Dry using a soft cloth so as not to leave any cleaning solutions on the surface.

DO NOT use any of the following on these Benchtops: Commercial Cleaning Products, Abrasive Cleaners, Scouring Pads or Abrasive Papers, Solvents, Thinners, Turpentine (Turps), Ammonia, Bleach, Acetone, Easy-Off BAM!, M.E.K. or any other cleaning agents containing organic solvents or the above mentioned products.

DO NOT place hot objects directly on the surface of the product.

It is very important to wipe the top completely dry after spills and cleaning.

CAESARSTONE®:

Caesarstone® surfaces require very little maintenance to keep them looking like new. For everyday, routine cleaning of Caesarstone® we recommend wiping the surface with warm soapy water (a mild detergent) and a clean damp cloth, or use a Caesarstone® Spray Cleaner.

It is very important to wipe the top completely dry after spills and cleaning.