

# MasterSeries® 860

## Reduced Pressure Zone Assemblies

Size: 65mm - 250mm

The FEBCO Master Series® 860 Reduced Pressure Zone Assemblies are designed for health hazard applications.  
End connections – Flanged AS2129-Table E

### Pressure – Temperature

Max. Working Pressure: 12.1 bar  
Hydrostatic Test Press: 24.1 bar  
Min. Working Press: 1.4bar  
Temperature Range: 0.5°C to 60°C

### Materials

Main Valve Body: Ductile iron Grade 65-45-12  
Coating: Fusion epoxy coated internal and external AWWA C550  
Shutoff Valves: N/A.  
Trim: Bronze  
Elastomer Discs: EPDM  
Spring: Stainless steel  
Clamp: AWWA C606 (10" only, 250mm)

### Approvals – Standards

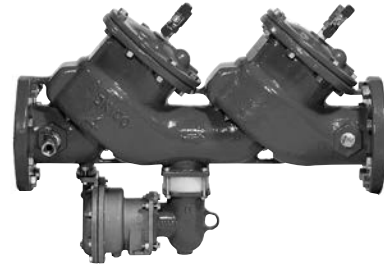
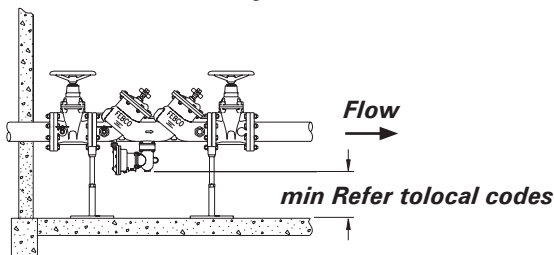
- AS 2845-1-2010. Certificate WMKA 1049



WaterMark

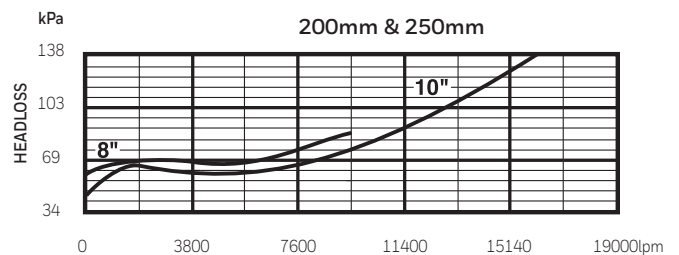
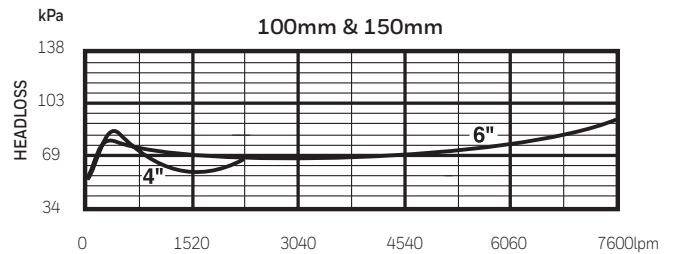
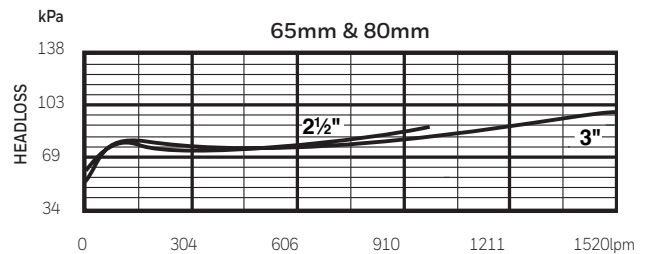
### Typical Installation

#### Model 860 / Typical Installation



MODEL 860 REDUCED PRESSURE ASSEMBLY

### Capacity

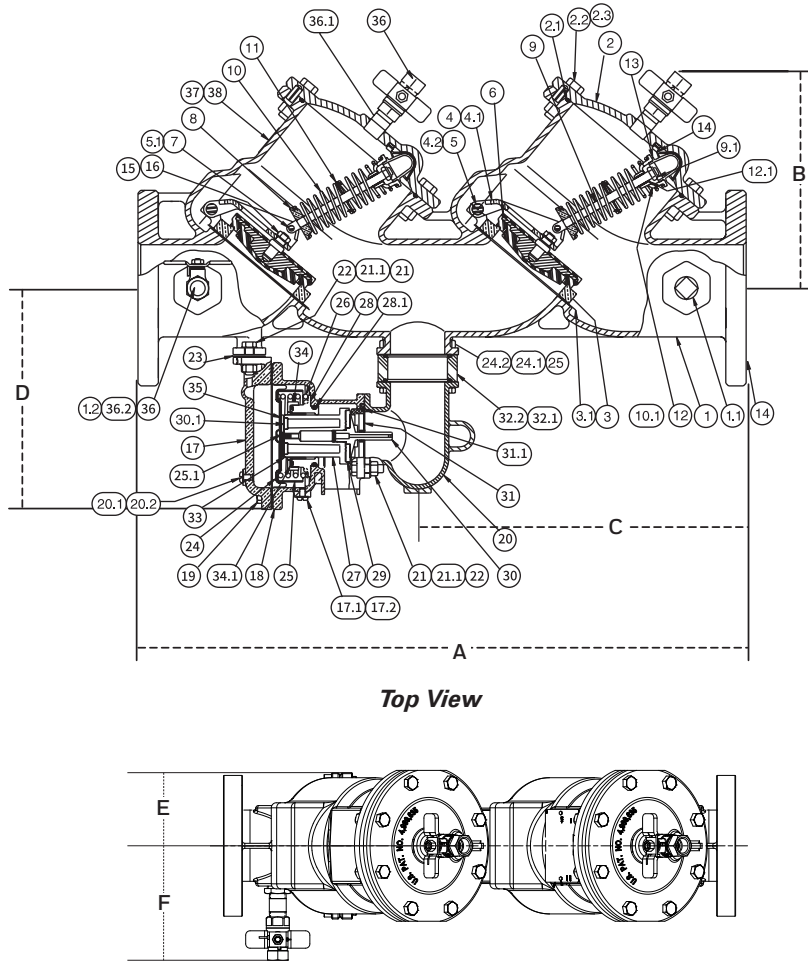


Job Name \_\_\_\_\_  
Job Location \_\_\_\_\_  
Engineer \_\_\_\_\_  
Approval \_\_\_\_\_

Contractor \_\_\_\_\_  
Approval \_\_\_\_\_  
Contractor's P.O. No. \_\_\_\_\_  
Representative \_\_\_\_\_

FEBCO product specifications in U.S. customary units and metric are approximate and are provided for reference only. For precise measurements, please contact FEBCO. FEBCO reserves the right to change or modify product design, construction, specifications, or materials without prior notice and without incurring any obligation to make such changes and modifications on FEBCO products previously or subsequently sold.

# Series 860 / Materials of Construction



ITEM	DESCRIPTION	MATERIAL
1	Body	A536 GR 65-45-12
1.1	Pipe Plug	Galv. Stl.
1.2	Bushing (2 1/2"-4" Only)	Brass
2	Cover	A536 GR 65-45-12
2.1	O-Ring	EPDM ASTM D2000
2.2	Cap Screw	Plated Steel
2.3	Hex Nut	Plated Steel
3	Seat Ring	B584 Alloy C83600
3.1	Gasket	EPDM ASTM D2000
3.2	Socket Head Screw	18-8-SS
3.3	Washer	304 SS
3.4	Elastic Stop Nut	18-8-SS
4	Arm	B584 Alloy C83600
4.1	Bushing-Swing Pin	Acetal Resin
4.2	Swing Pin	304 SS
5	Retaining Clip	302 SS
5.1	Retaining Clip	302 SS
6	Check Disk	EPDM Coated GR, 45 Ductile Iron with A276 type 304SS stem
7	Load Pin	B150 Alloy C61300
8	Lwr Spring Retrnr	B584 Alloy C83600
9	Spring Stem	304 SS
9.1	Elastic Stop Jam Nut	18-8-SS
10	Spring	A313 Type 631 SS
10.1	Spring 2nd Check	A313 Type 631 SS
10.2	Spring Shim 2nd Check	Acetal Resin
11	Spring Guide	B130 Alloy C22000
12	Upr Spring Retrnr	B584 Alloy C83600
12.1	Bushing-Spr. Stem	Acetal Resin
13	Pivot Bearing	B585 Alloy C83600
14	Bearing Socket	Acetal Resin
15	Hex Jam Nut	18-8-SS
16	Washer	302 SS
17	R.V. Cover	B584 Alloy C83600
17.1	Bleed Screw	18-8-SS
17.2	Gasket	HDPE
18	R.V. Body	B584 Alloy C83600
19	Cover Bolt	18-8-SS
20	Elbow	A536 GR 65-45-12
21	RV Mtg Bolt	Plated Steel
21.1	Washer	Plated Steel
22	RV Mtg Nut	Plated Steel
23	Gasket	EPDM
24	Lrg. Diaphragm	Nitrile ASTM D2000
25	Button	A240 304 SS
25.1	Flow Washer	Acetal Resin
26	RV Spring	A313 Type 302 SS
27	RV Stem	Acetal Resin
28	Main Guide	B584 Alloy C83600
28.1	Main Guide O-Ring	FDA EPDM
29	Seat Disc	EPDM AST D2000
30	Lower Guide	Acetal Resin
31	Seat Ring	B584 Alloy C83600
31.1	O-ring	FDA EPDM
32.1	O-Ring	EPDM ASTM D2000
32.2	Extension	Acetal Resin
33	Sm. Diaphragm	Nitrile ASTM D2000
34	Retainer	B584 Alloy C83600
34.1	Slip Ring	Acetal Resin
35	Flow Washer	Acetal Resin
36	Ball Valve	B584 Alloy C84400
36.1	Nipple	Brass
36.2	Nipple	Brass
37	Identification Plate	B36 Alloy C26000
38	Drive Screw	Stainless Steel

## Dimensions – Weight

SIZE (DN)	DIMENSIONS						Device
	A	B	C	D	E	F	
mm	mm	mm	mm	mm	mm	mm	kg
65	648	254	327	254	64	181	45
80	651	254	330	254	197	187	46
100	711	257	384	257	229	206	56
150	883	324	527	283	286	251	80
200	1061	397	683	311	350	283	157

Note: Dimensions shown are nominal. Allowances must be made for normal manufacturing tolerances.

Note: The gap drain is not designed to catch the maximum discharge possible from the relief valve. The installation of FEBCO air gap with the drain line terminating above a floor drain will handle any normal discharge or nuisance spitting through the relief valve. However, floor drain size may need to be designed to prevent water damage caused by a catastrophic failure condition. Do not reduce the size of the drain line from the air gap fitting.



A WATTS Brand



ISO 9001-2008  
CERTIFIED

USA: Fresno, CA • Tel: (559) 441-5300 • Fax: (559) 441-5301 • www.FEBCOonline.com  
Canada: Burlington, ON • Tel: (905) 332-4090 • Fax: (905) 332-7068 • www.FEBCOonline.ca