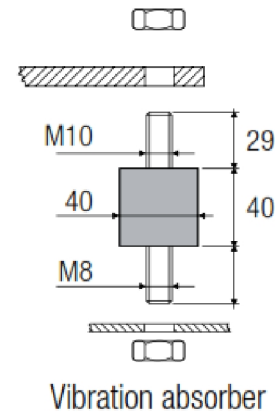
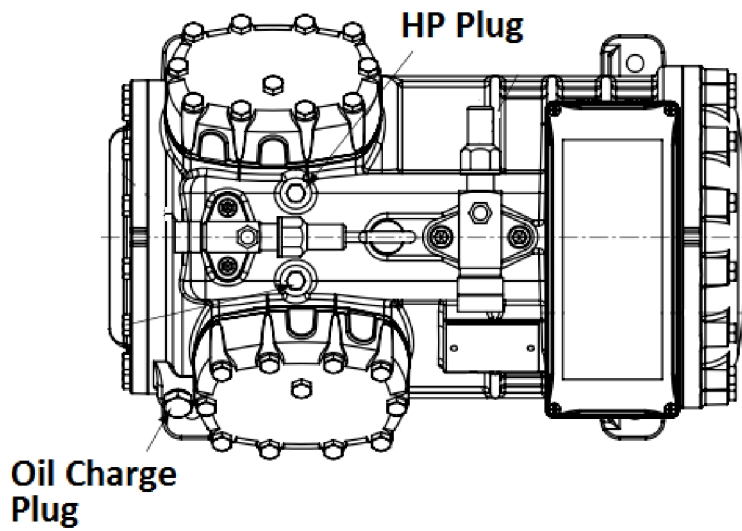
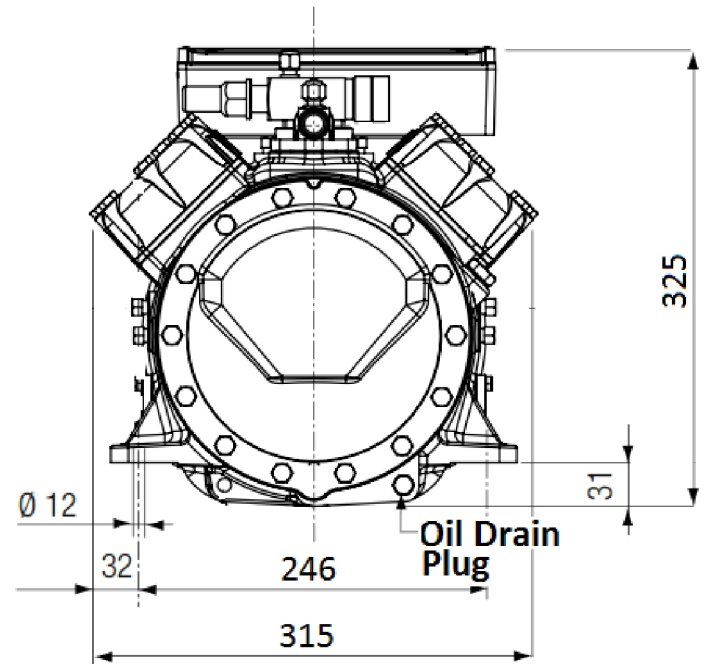
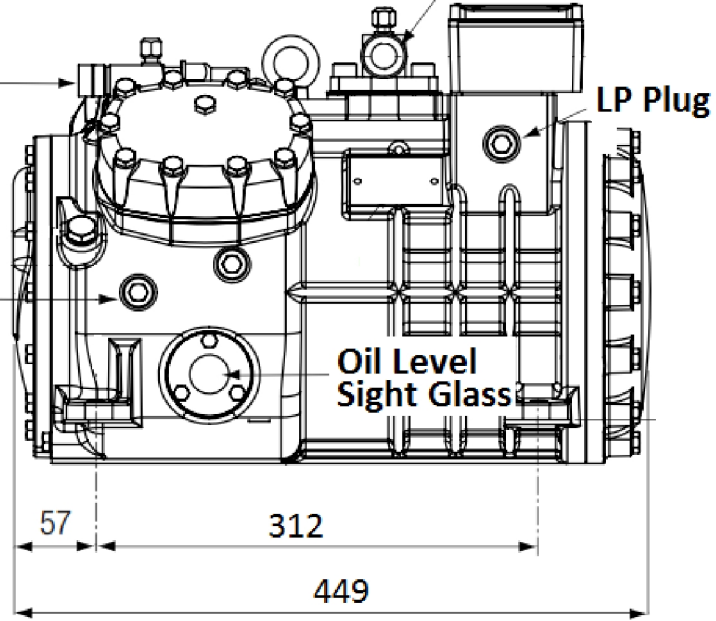

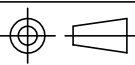


Discharge Valve 7/8"

Oil Return Plug



No.	Ind	Modification	Date	Drawn	Checked	Approved

	Model	SH4591Z	Drawn	rudy
	Description	Compressor Semi Hermetic	Checked	Ijat
	Drawing No.	Q5-25.1Y	Approved	Sham
	Date	25/04/2018	Index	-
 TECUMSEH EURO-MALAYSIA SDN BHD				