

posh

Domaine Conventional Floor Mount



SPECIFICATIONS

Recommended Use	Domestic, Hotel and Commercial
Vanity Top Material Options	Ceramic (15mm), Cast Marble (22mm), Cherry Pie (20mm), Durasein (12mm)
Vanity Unit Material	MDF MR E0 (Medium Density Fibreboard, Moisture Resistant, Rated Emission Level E0)
Vanity Colour Variations	Available in a large selection of colours and cabinet finishes, refer to website for more information.
Tap Hole Availability	<i>Ceramic:</i> 0, 1 or 3 Tap Holes. <i>Cast Marble:</i> 0, 1 or 3 Tap Holes. <i>Cherry Pie / Durasein:</i> 0, 1 or 3 Tap Holes.
Basins	<i>Ceramic and Cast Marble Top:</i> Integrated basin <i>Cherry Pie / Durasein:</i> basin not included
Handle	Bevel-grip finger pull.
Doors	Soft-close doors.
Waste	Chrome Universal Plug & Waste 40mm Outlet (included)
Fixing	Bolted/Screwed to the wall by a licensed tradesperson - Fixings not included.



Domaine - ADP pressed metal drawers in white with soft-close adapter and bevel-grip finger pull.



Domaine Plus - ADP premium soft-close drawers in graphite with bevel-grip finger pull.

To see the complete Posh range go to www.reece.com.au/bathrooms

MODEL INCLUSIONS

DOMAINE

Fresh White Interior.

ADP pressed metal drawers in white with soft-close adapter.

DOMAINE PLUS

Premium Graphite Interior.

ADP Premium soft-close drawers in Graphite.

Polyurethane cabinet finishes also available.

Disclaimer: Products in this specification manual must by regulation be installed by licensed and registered trade people. The manufacturer/distributor reserves the right to vary specifications or delete models from their range without prior notification. Dimensions are nominal measurements only. Dimensions and set-outs listed are correct at time of publication however the manufacturer/distributor takes no responsibility for printing errors.

Tech Page Version 1



Domaine Conventional Floor Mount

STANDARD SIZES (mm)	600	750	900	1200	1500	1800
Cherry Pie / Durasein	Centre	Centre	Centre	Centre / Double	Centre / Double	Centre / Double
Width (mm)	600	750	900	1200	1500	1800
Depth (mm)	500	500	500	500	500	500
Height (mm)	900/892	900/892	900/892	900/892	900/892	900/892
Number of Drawers	0	3	3	3	6	6
Number of Doors	2	1	1	2	2	2
Ceramic*	Centre	Centre	Centre	Centre / Double	Centre / Double	
Width (mm)	610*	760*	910*	1210*	1520*	
Depth (mm)	460*	460*	460*	460*	460*	
Height (mm)	895	895	895	895	895	
Number of Drawers	0	3	3	3	6	
Number of Doors	2	1	1	2	2	
Cast Marble	Centre	Centre / Offset	Centre / Offset	Centre / Offset / Double	Centre / Double	Centre / Double
Width (mm)	600	750	900	1200	1500	1800
Depth (mm)	460	460	460	460	460	460
Height (mm)	902	902	902	902	902	902
Number of Drawers	0	3	3	3	6	6
Number of Doors	2	1	1	2	2	2

Please note these are overall measurements.

* Due to the manufacturing nature of ceramic tops, size variation (+/-5mm) is to be expected, due to the 1200°C kiln vitrification process.

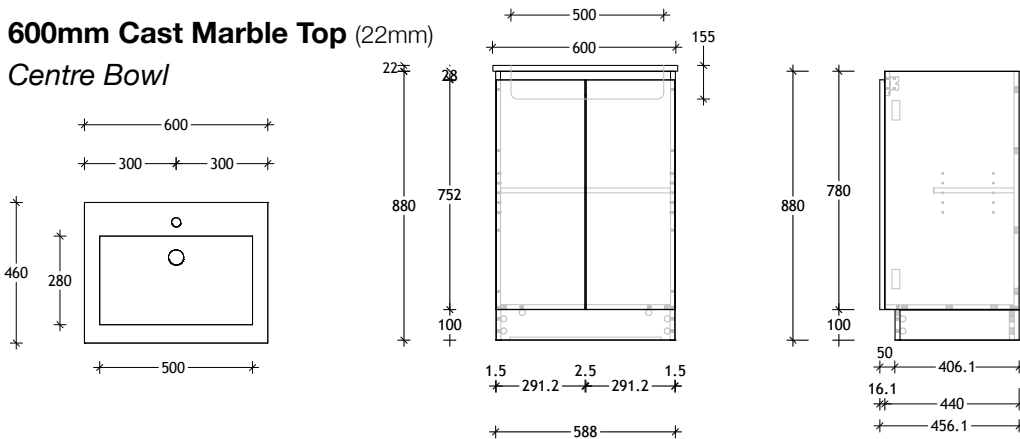




Domaine Conventional Floor Mount

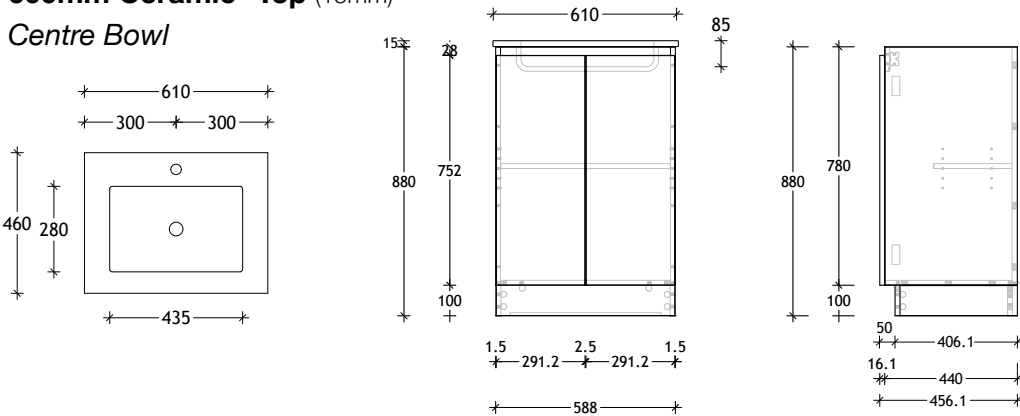
600mm Cast Marble Top (22mm)

Centre Bowl



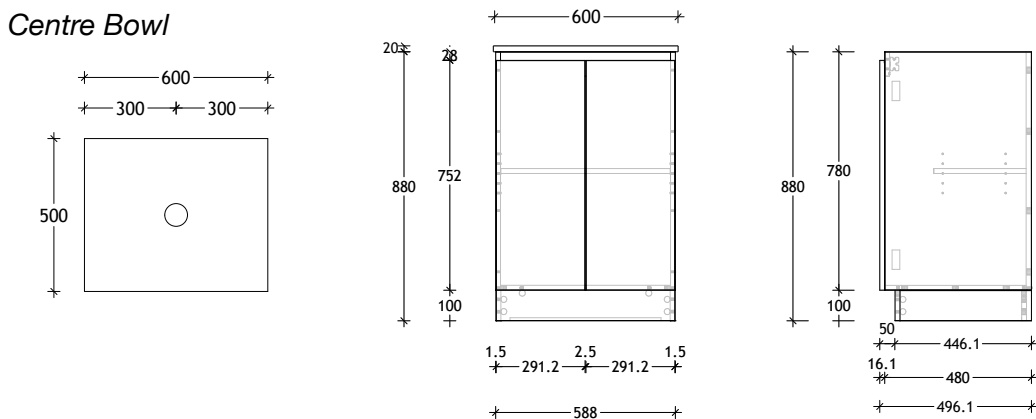
600mm Ceramic* Top (15mm)

Centre Bowl



600mm Cherry Pie (20mm) / Durasein Top (12mm)

Centre Bowl



Dimensions are nominal measurements only.

* Due to the manufacturing nature of ceramic tops, size variation (+/-5mm) is to be expected, due to the 1200°C kiln vitrification process.

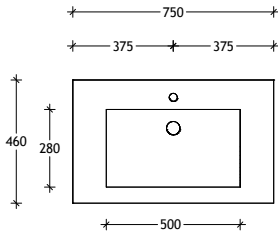


Domaine Conventional Floor Mount

750mm Cast Marble Top (22mm)

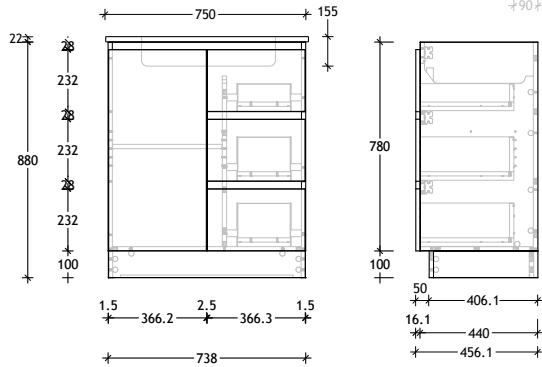
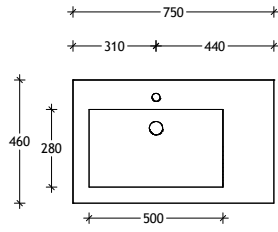
Left Hand Drawer/Right Hand Door option also available.

Centre Bowl



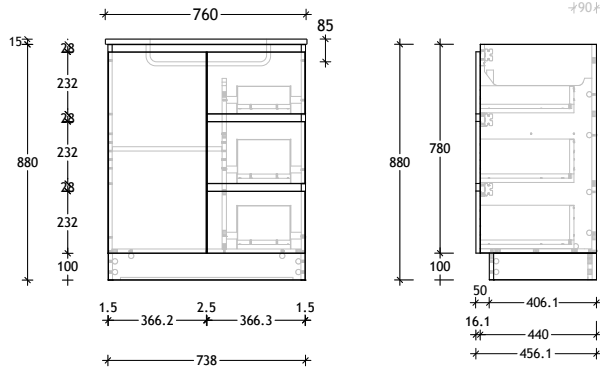
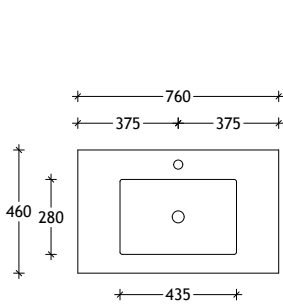
Offset Bowl

Available left or right



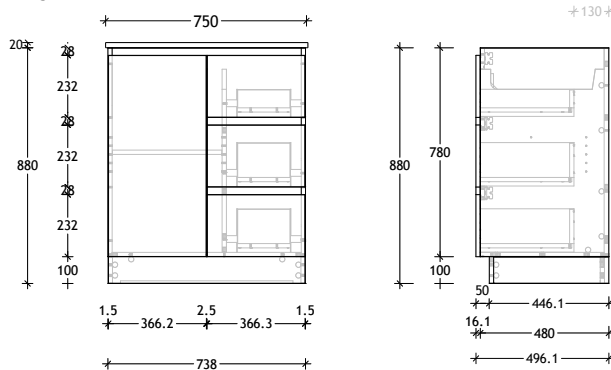
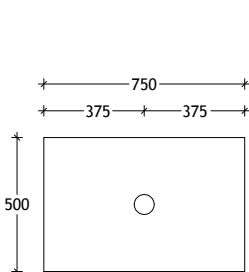
750mm Ceramic* Top (15mm)

Centre Bowl Left Hand Drawer/Right Hand Door option also available.



750mm Cherry Pie (20mm) / Durasein Top (12mm)

Centre Bowl Left Hand Drawer/Right Hand Door option also available.



Dimensions are nominal measurements only.

* Due to the manufacturing nature of ceramic tops, size variation (+/-5mm) is to be expected, due to the 1200°C kiln vitrification process.



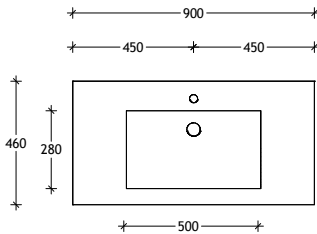


Domaine Conventional Floor Mount

900mm Cast Marble Top (22mm)

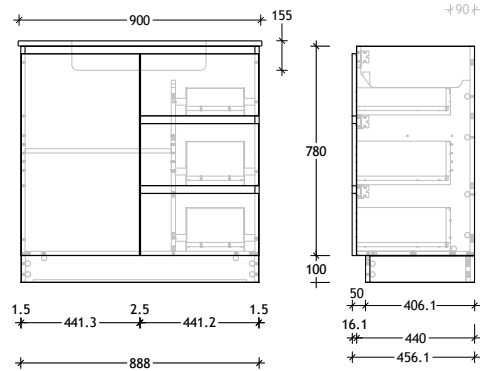
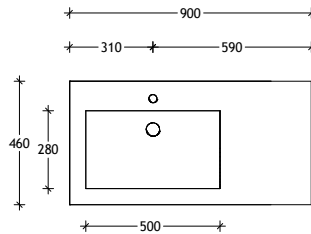
Left Hand Drawer/Right Hand Door option also available.

Centre Bowl



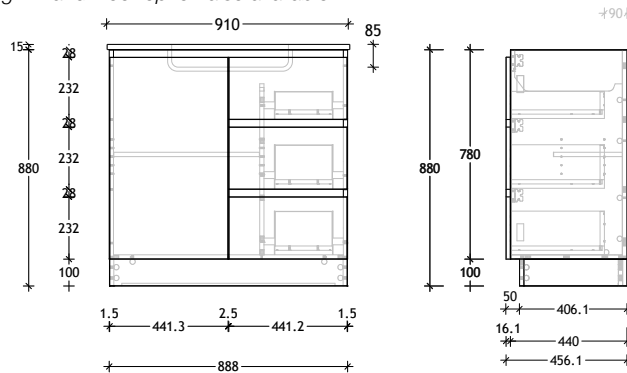
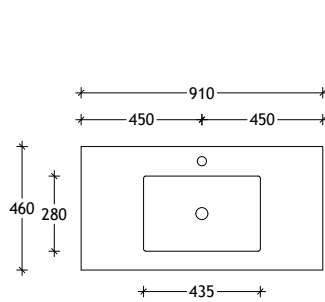
Offset Bowl

Available left or right



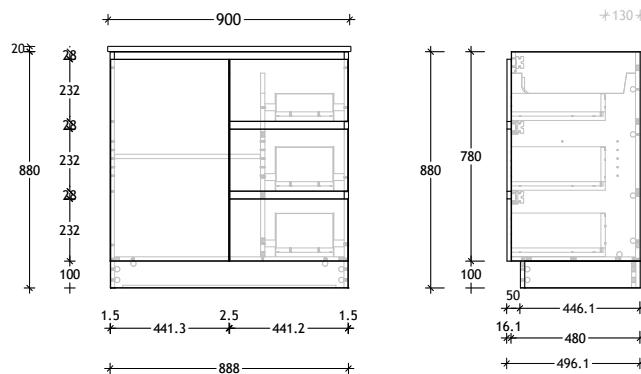
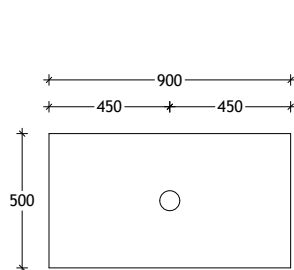
900mm Ceramic* Top (15mm)

Centre Bowl Left Hand Drawer/Right Hand Door option also available.



900mm Cherry Pie (20mm) / Durasein Top (12mm)

Centre Bowl Left Hand Drawer/Right Hand Door option also available.



Dimensions are nominal measurements only.

* Due to the manufacturing nature of ceramic tops, size variation (+/-5mm) is to be expected, due to the 1200°C kiln vitrification process.

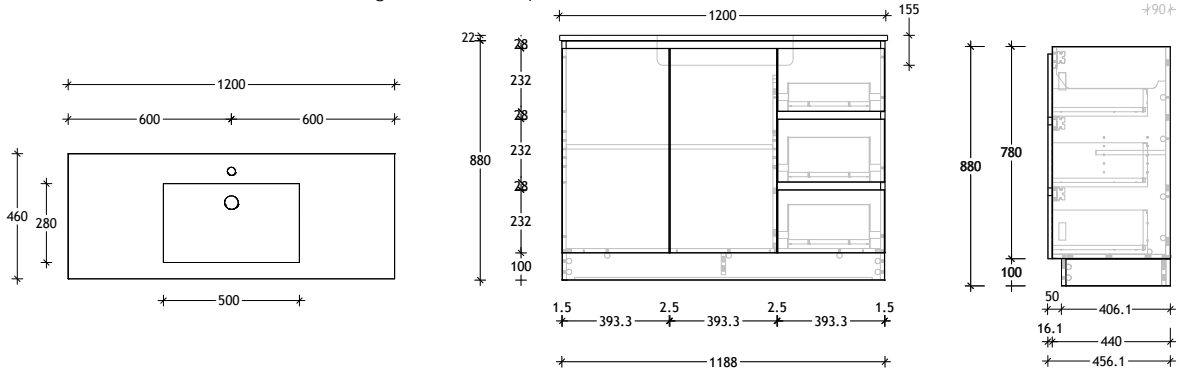




Domaine Conventional Floor Mount

1200mm Cast Marble Top (22mm)

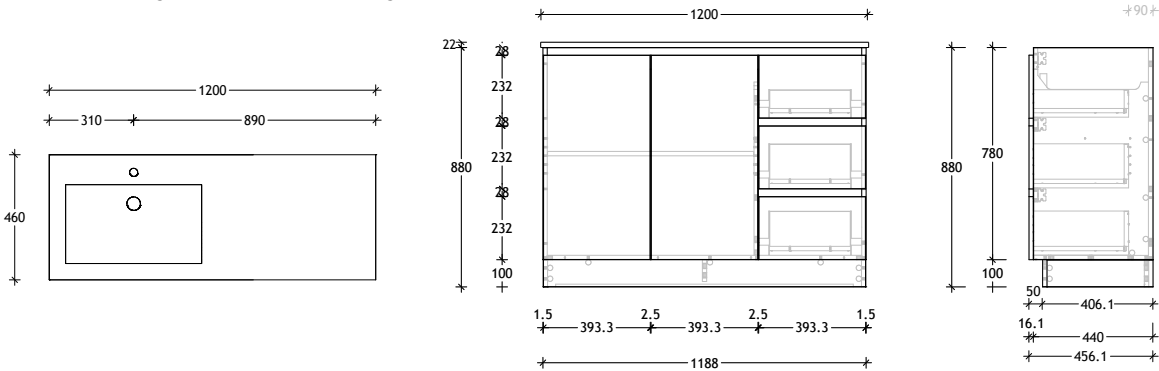
Centre Bowl Left Hand Drawer/Right Hand Door option also available.



1200mm Cast Marble Top (22mm)

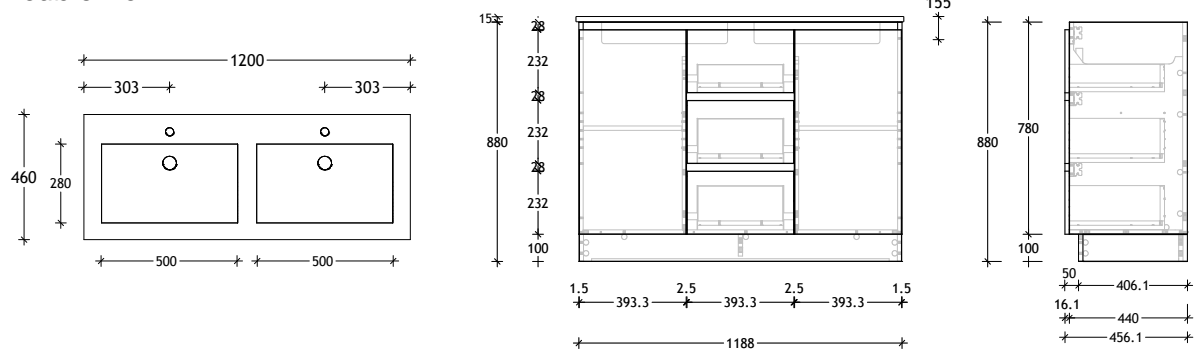
Offset Bowl

Available left or right. Left Hand Drawer/Right Hand Door option also available.



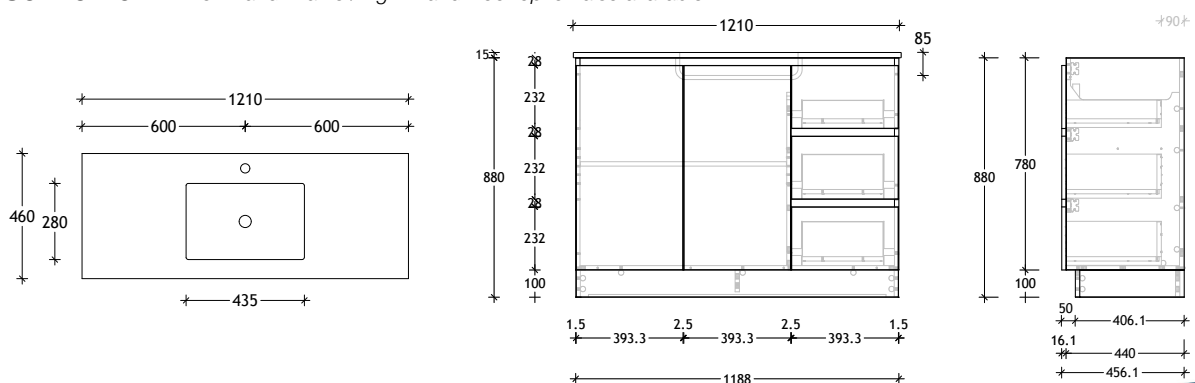
1200mm Cast Marble Top (22mm)

Double Bowl



1200mm Ceramic* Top (15mm)

Centre Bowl Left Hand Drawer/Right Hand Door option also available.



Dimensions are nominal measurements only.

* Due to the manufacturing nature of ceramic tops, size variation (+/-5mm) is to be expected, due to the 1200°C kiln vitrification process.

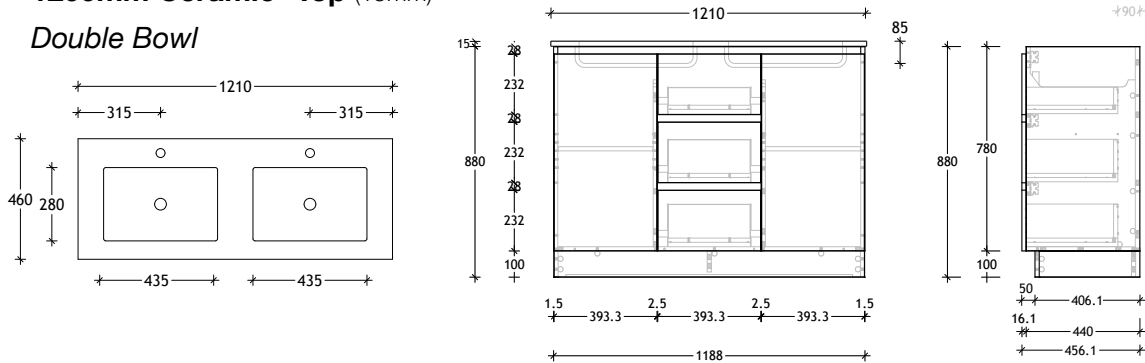




Domaine Conventional Floor Mount

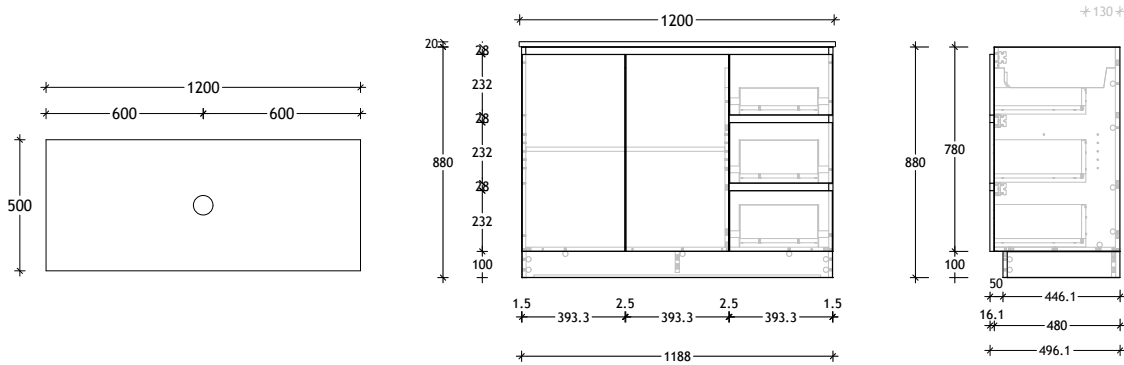
1200mm Ceramic* Top (15mm)

Double Bowl



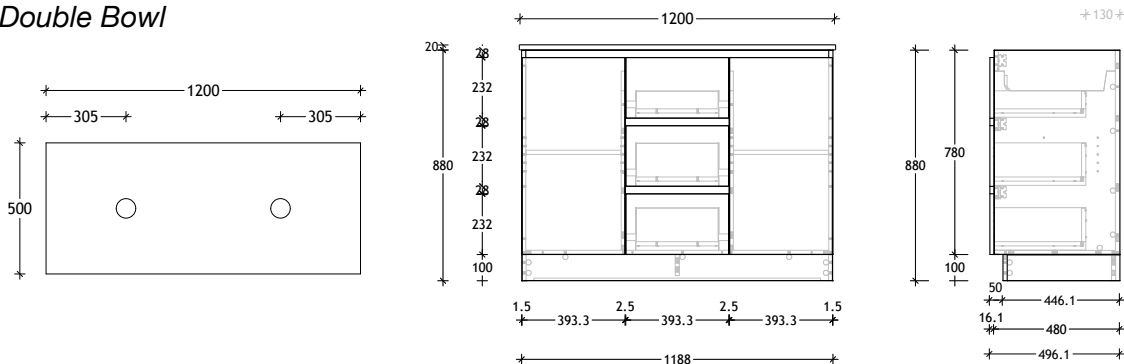
1200mm Cherry Pie (20mm) / Durasein Top (12mm)

Centre Bowl *Left Hand Drawer/Right Hand Door option also available.*



1200mm Cherry Pie (20mm) / Durasein Top (12mm)

Double Bowl



Dimensions are nominal measurements only.

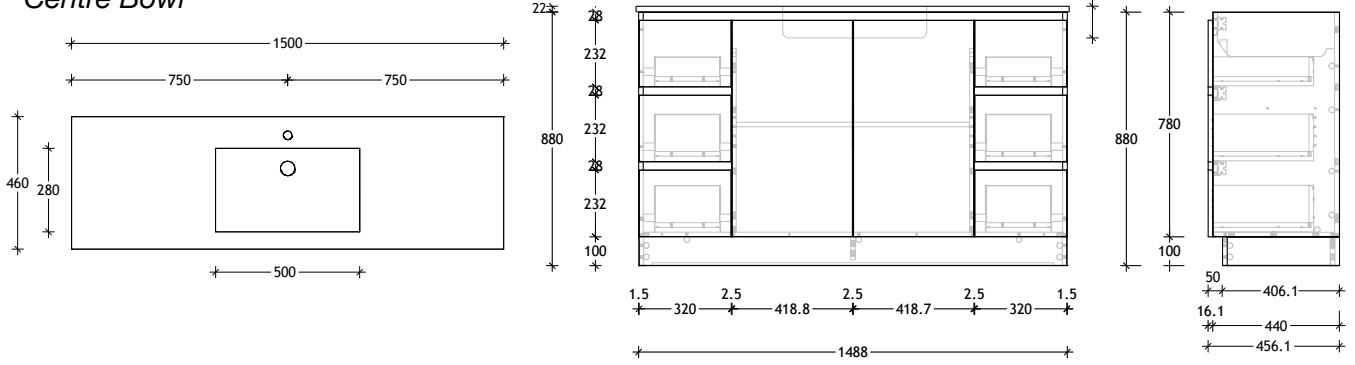




Domaine Conventional Floor Mount

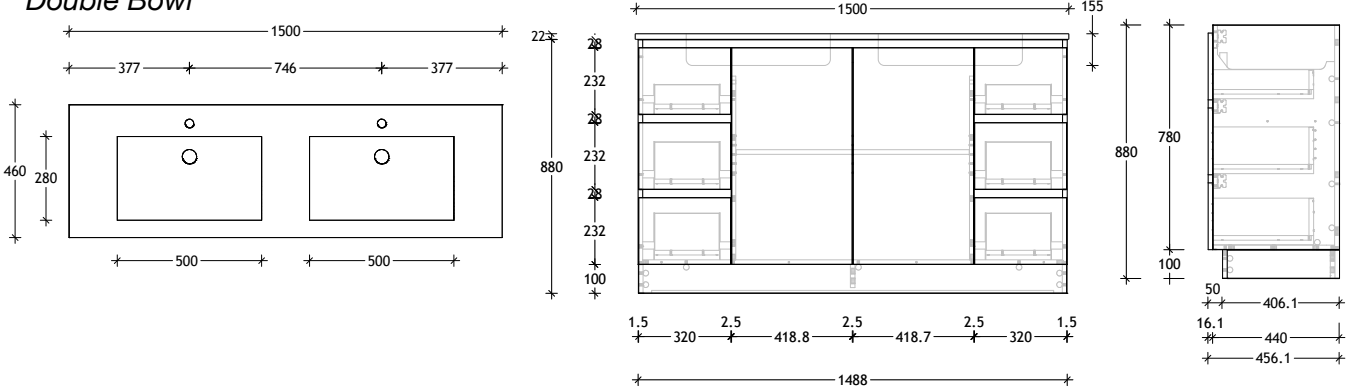
1500mm Cast Marble Top (22mm)

Centre Bowl



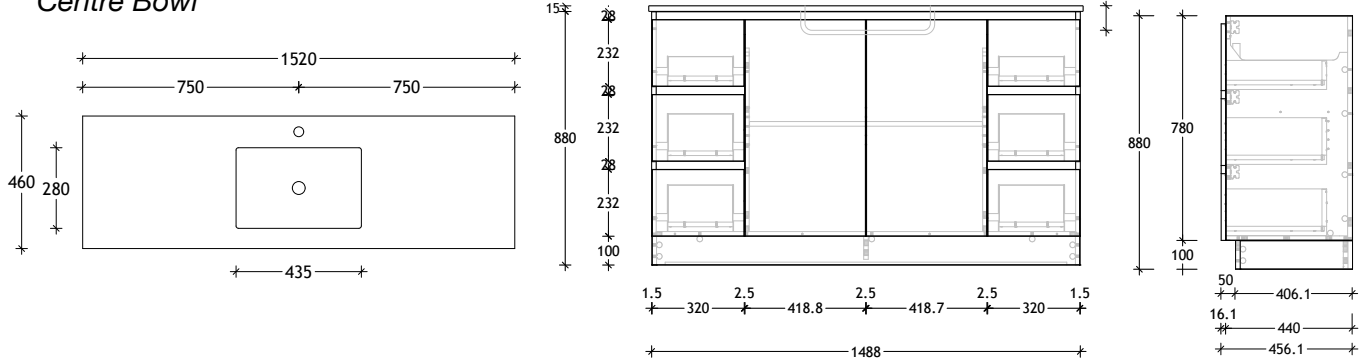
1500mm Cast Marble Top (22mm)

Double Bowl



1500mm Ceramic* Top (15mm)

Centre Bowl



Dimensions are nominal measurements only.

* Due to the manufacturing nature of ceramic tops, size variation (+/-5mm) is to be expected, due to the 1200°C kiln vitrification process.

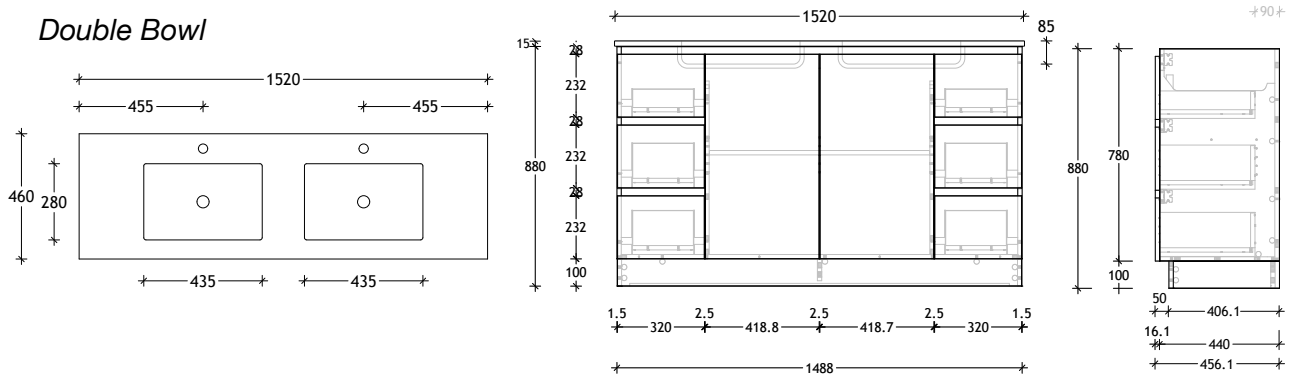




Domaine Conventional Floor Mount

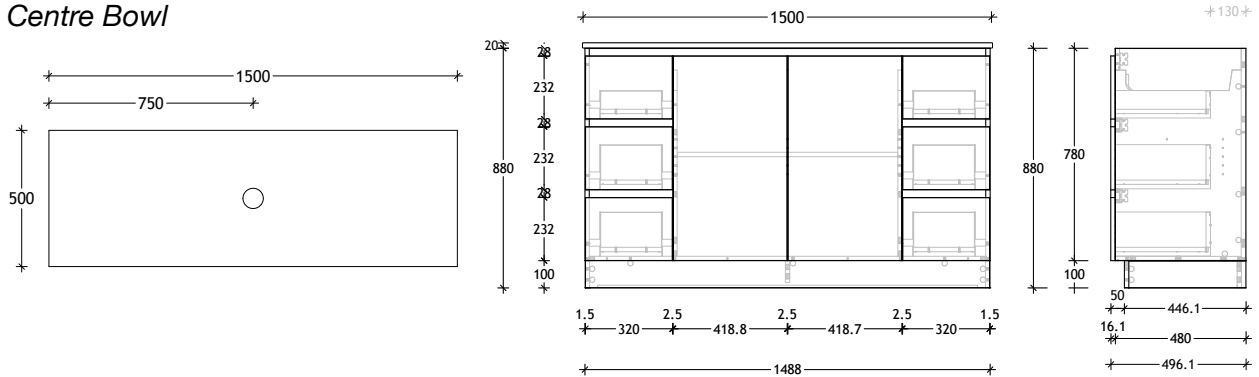
1500mm Ceramic* Top (15mm)

Double Bowl



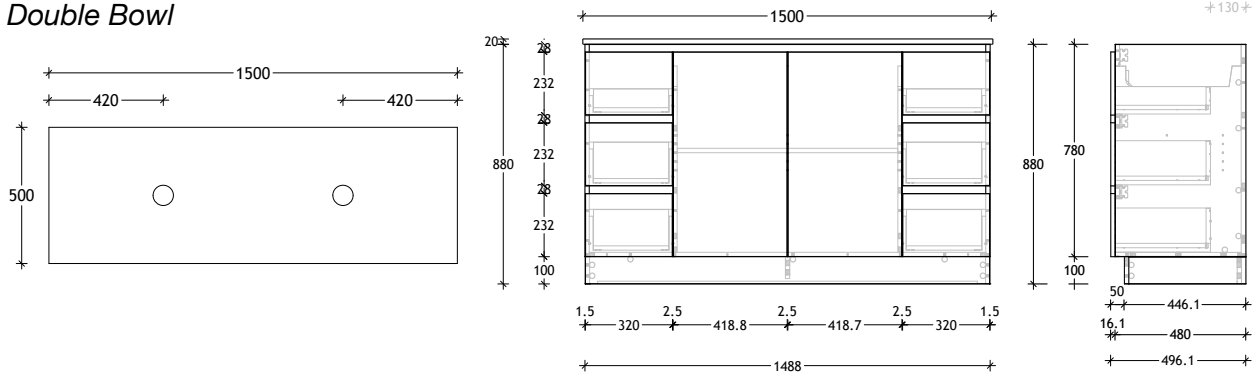
1500mm Cherry Pie (20mm) / Durasein Top (12mm)

Centre Bowl



1500mm Cherry Pie (20mm) / Durasein Top (12mm)

Double Bowl



Dimensions are nominal measurements only.

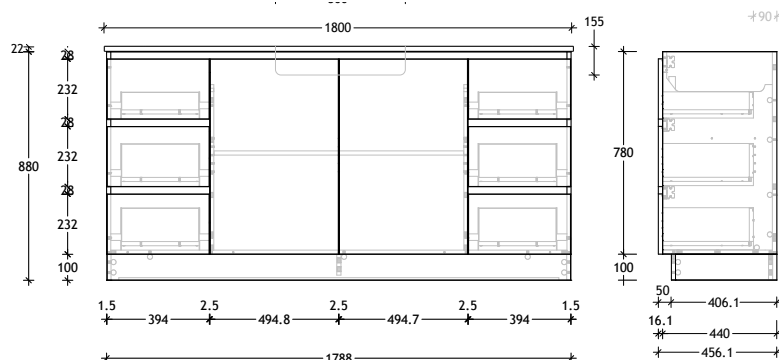
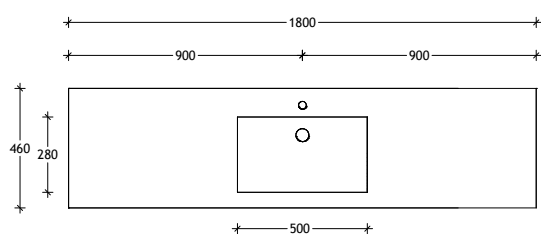




Domaine Conventional Floor Mount

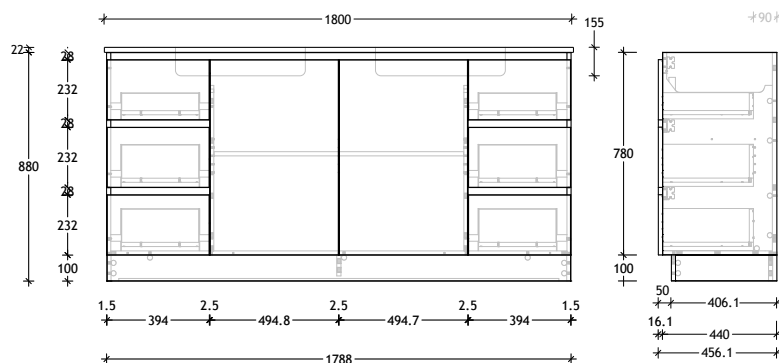
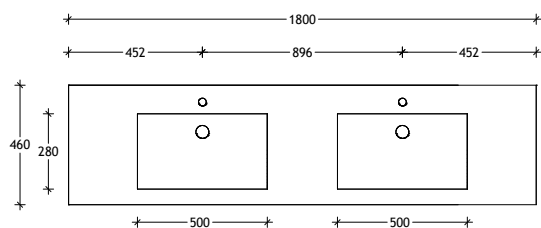
1800mm Cast Marble Top (22mm)

Centre Bowl



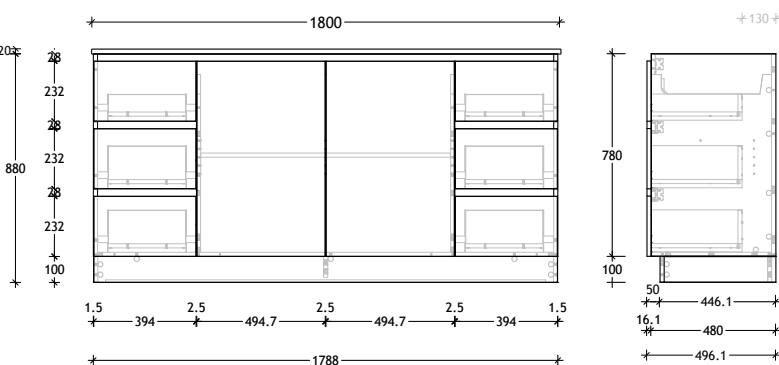
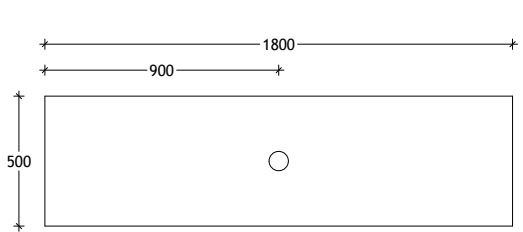
1800mm Cast Marble Top (22mm)

Double Bowl



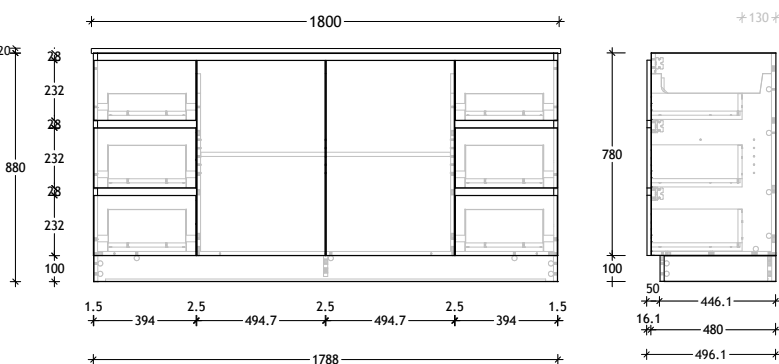
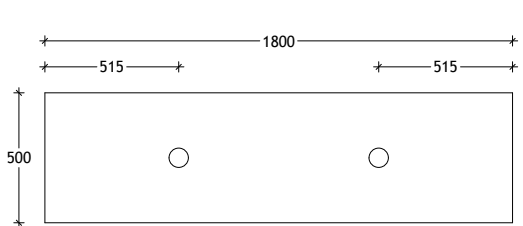
1800mm Cherry Pie (20mm) / Durasein Top (12mm)

Centre Bowl



1800mm Cherry Pie (20mm) / Durasein Top (12mm)

Double Bowl



Dimensions are nominal measurements only.

