

# SKU

REFRIGERATION

CATALOGUE 2024

Fittings, valves & tools  
for the HVAC/R technician



# SKY REFRIGERATION

Sky Refrigeration is an Australian based manufacturer and supplier of refrigeration components offering unrivaled product quality and service to the wholesale and OEM industries.

In addition to their own product, Sky Refrigeration also represents a number of the world's leaders in the HVACR field, such as Mueller Refrigeration, Temprite, BVA, Nibco, Harris Products, Sanha, C&D Valve and TEKEDGE.

In 2020, Sky Refrigeration was purchased by The Aspen Pumps Group, a company with a similar quality and customer service ethos. In 2023 the Sky business was merged with Aspen Pumps Asia Pacific onto the one site in Lonsdale South Australia.



+1 61 (08) 8186 4666



[sales@aspenpumps.com.au](mailto:sales@aspenpumps.com.au)



8 Waddikee Road, Lonsdale SA 5160

# Contents

Ball valves	41	Lubricants	61
Brass fittings	18	Nibco Press	14
Brass kits	29	Oil control	34
Brazing alloys	60	Oil separators	32
Capacitors	59	Pressure controls	54
Check valves	40	Pressure relief valves	44
CO2 Copper fittings	12	Reversing valves	47
CO2 Steel valves	42	Rotalock valves	36
Copper fittings	4	Service valves	38
Electronic controls	51	Smartlock	17
Fans and Fan motors	56	Solenoid valves	46
Filter driers	27	Suction accumulators	31
Flexible hose	48	TX valves	50
Liquid control	43	Vibration eliminator	49
Liquid receivers	35		



# Copper Fittings

## You will benefit when you use SKY Copper fittings because they are:

- Designed, manufactured and tested to exceed the ISO/AS 5149.2 standards as well as CE and UL.
- Manufactured to stringent standards in an ISO9001 accredited facility.
- Passed through a rigorously controlled QA system including batch verification burst testing.
- Designed and manufactured to remove stress and fatigue focus points.
- R-410A and HP-60 rated fittings are marked accordingly on the fitting for your safety.

### Note:

#### R-410A

- SKY's rating is based on 43.5 bar (safe working pressure for Refrigerant R-410A 4,350 kpa @ 65°C.

#### R-744 (CO2)

- SKY's rating is based on 60 Bar ISO/AS 5149.2 safe working pressure for Refrigerant R-744.
- Other ratings are based on a combination of UL and EN378-2, 60 bar and 130 bar.

### Installation:

- SKY copper fittings should be installed in accordance with the methodology recommended in AS HB40 by suitably qualified trades people.
- Brown Tip is recommended when brazing fittings into systems intended for R-410A or other high pressure applications.
- Pipe work should be designed and implemented in a way that mechanical and thermal stress is avoided.
- Burst testing of SKY copper fittings is done after the joints are braised to replicate as close as possible their application in the field. However, as copper can work harden and these fittings can be subject to unique dynamics created in the working environment, such as vibration, temperature, pressure and pulsation, end-users should satisfy themselves of the fitting suitability for the application.

### Copper in short:

- Due to their superior design, manufacture, QA and labelling, SKY copper fittings when installed properly will improve the outcome of your installation, and reduce the risk of premature failure and subsequent refrigerant leakage.

**"Install or repair with confidence."**





# Copper Fittings

## Copper Bush (OD - ID)

SKY Item No.	Item Description	R-410A	CO2 60 Bar	Pack qty
100-0604	Bush (CU) - 3/8 OD x 1/4 ID	Yes	Yes	2
100-0804	Bush (CU) - 1/2 OD x 1/4 ID	Yes	Yes	5
100-0806	Bush (CU) - 1/2 OD x 3/8 ID	Yes	Yes	2
100-1006	Bush (CU) - 5/8 OD x 3/8 ID	Yes	Yes	2
100-1008	Bush (CU) - 5/8 OD x 1/2 ID	Yes	Yes	2
100-1206	Bush (CU) - 3/4 OD x 3/8 ID	Yes	Yes	2
100-1208	Bush (CU) - 3/4 OD x 1/2 ID	Yes	Yes	2
100-1210	Bush (CU) - 3/4 OD x 5/8 ID	Yes	Yes	2
100-1408	Bush (CU) - 7/8 OD x 1/2 ID	Yes	Yes	2
100-1410	Bush (CU) - 7/8 OD x 5/8 ID	Yes	Yes	2
100-1412	Bush (CU) - 7/8 OD x 3/4 ID	Yes	Yes	2
100-1612	Bush (CU) - 1 OD x 3/4 ID	Yes	Yes	2
100-1808	Bush (CU) - 1-1/8 OD x 1/2 ID	Yes		1
100-1810	Bush (CU) - 1-1/8 OD x 5/8 ID	Yes		2
100-1810-HP60	Bush (CU) - 1-1/8 OD x 5/8 ID - HP60	Yes	Yes	2
100-1812	Bush (CU) - 1-1/8 OD x 3/4 ID	Yes		1
100-1814	Bush (CU) - 1-1/8 OD x 7/8 ID	Yes		1
100-1814-HP60	Bush (CU) - 1-1/8 OD x 7/8 ID - HP60	Yes	Yes	2
100-2016	Bush (CU) - 1-1/4 OD x 1 ID	Yes		2
100-2210	Bush (CU) 1 3/8 OD x 5/8 ID	Yes		1
100-2214	Bush (CU) - 1-3/8 OD x 7/8 ID	Yes		1
100-2214-HP60	Bush (CU) - 1-3/8 OD x 7/8 ID - HP60	Yes	Yes	2
100-2218	Bush (CU) - 1-3/8 OD x 1-1/8 ID	Yes		1
100-2218-HP60	Bush (CU) - 1-3/8 OD x 1-1/8 ID - HP60	Yes	Yes	2
100-2614	Bush (CU) - 1-5/8 OD x 7/8 ID	Yes		1
100-2618	Bush (CU) - 1-5/8 OD x 1-1/8 ID	Yes		1
100-2622	Bush (CU) - 1-5/8 OD x 1-3/8 ID	Yes		1
100-2622-HP60	Bush (CU) - 1-5/8 OD x 1-3/8 ID - HP60	Yes	Yes	1
100-3224	Bush (CU) 2 OD x 1 1/2 ID	Yes		1
100-3418	Bush (CU) - 2-1/8 OD x 1-1/8 ID	Yes		1
100-3422	Bush (CU) - 2-1/8 OD x 1-3/8 ID	Yes		1
100-3426	Bush (CU) - 2-1/8 OD x 1-5/8 ID	Yes		1
100-4226	Bush (CU) - 2-5/8 OD x 1-5/8 ID	Yes		1
100-4234	Bush (CU) - 2-5/8 OD x 2-1/8 ID	Yes		1
100-4834	Bush (CU) - 3 OD x 2-1/8 ID			1
100-4842	Bush (CU) - 3 OD x 2-5/8 ID			1
100-5034	Bush (CU) - 3-1/8 OD x 2-1/8 ID			1
100-5042	Bush (CU) - 3-1/8 OD x 2-5/8 ID			1
100-5048	Bush (CU) - 3-1/8 OD x 3 ID			1
100-5834	Bush (CU) - 3-5/8 OD x 2-1/8 OD			1
100-6642	Bush (CU) - 4-1/8 OD x 2-5/8 OD			1
100-6650	Bush (CU) - 4-1/8 OD x 3-1/8 OD			1



**Copper Coupling (ID - ID)**

SKY Item No.	Item Description	R-410A	CO2 60 Bar	Pack qty
101-0404	1/4 ID x 1/4 ID	Yes	Yes	10
101-0505	5/16 ID x 5/16 ID	Yes	Yes	10
101-0604	3/8 ID x 1/4 ID	Yes	Yes	5
101-0606	3/8 ID x 3/8 ID	Yes	Yes	5
101-0804	1/2 ID x 1/4 ID	Yes	Yes	5
101-0806	1/2 ID x 3/8 ID	Yes	Yes	2
101-0808	1/2 ID x 1/2 ID	Yes	Yes	5
101-1006	5/8 ID x 3/8 ID	Yes	Yes	2
101-1008	5/8 ID x 1/2 ID	Yes	Yes	2
101-1010	5/8 ID x 5/8 ID	Yes	Yes	5
101-1206	3/4 ID x 3/8 ID	Yes	Yes	2
101-1208	3/4 ID x 1/2 ID	Yes	Yes	2
101-1210	3/4 ID x 5/8 ID	Yes	Yes	2
101-1212	3/4 ID x 3/4 ID	Yes	Yes	2
101-1408	7/8 ID x 1/2 ID	Yes	Yes	2
101-1410	7/8 ID x 5/8 ID	Yes	Yes	2
101-1412	7/8 ID x 3/4 ID	Yes	Yes	2
101-1414	7/8 ID x 7/8 ID	Yes	Yes	2
101-1608	1 ID x 1/2 ID	Yes	Yes	5
101-1612	1 ID x 3/4 ID	Yes	Yes	5
101-1614	1 ID x 7/8 ID	Yes	Yes	2
101-1616	1 ID x 1 ID	Yes	Yes	2
101-1808	1-1/8 ID x 1/2 ID	Yes		2
101-1810	1-1/8 ID x 5/8 ID	Yes		1
101-1810-HP60	1-1/8 ID x 5/8 ID - HP60	Yes	Yes	2
101-1812	1-1/8 ID x 3/4 ID	Yes		2
101-1812-HP60	1-1/8 ID x 3/4 ID - HP60	Yes	Yes	1
101-1814	1-1/8 ID x 7/8 ID	Yes		1
101-1814-HP60	1-1/8 ID x 7/8 ID - HP60	Yes	Yes	2
101-1816	1-1/8 ID x 1 ID	Yes		1
101-1818	1-1/8 ID x 1-1/8 ID	Yes		2
101-1818-HP60	1-1/8 ID x 1-1/8 ID - HP60	Yes	Yes	2
101-2016	1-1/4 ID x 1 ID	Yes		1
101-2020	1-1/4 ID x 1-1/4 ID	Yes		2
101-2210	1-3/8 ID x 5/8 ID	Yes		1
101-2212	1-3/8 ID x 3/4 ID	Yes		2
101-2214	1-3/8 ID x 7/8 ID	Yes		1
101-2218	1-3/8 ID x 1-1/8 ID	Yes		1
101-2222	1-3/8 ID x 1-3/8 ID	Yes		2
101-2222-HP60	1-3/8 ID x 1-3/8 ID - HP60	Yes	Yes	2
101-2420	1-1/2 ID x 1-1/4 ID	Yes		2
101-2424	1-1/2 ID x 1-1/2 ID	Yes		1
101-2614	1-5/8 ID x 7/8 ID	Yes		1
101-2618	1-5/8 ID x 1-1/8 ID	Yes		1
101-2622	1-5/8 ID x 1-3/8 ID	Yes		1
101-2622-HP60	1-5/8 ID x 1-3/8 ID - HP60	Yes	Yes	1
101-2626	1-5/8 ID x 1-5/8 ID	Yes		1
101-2626-HP60	1-5/8 ID x 1-5/8 ID - HP60	Yes	Yes	1
101-3232	2 ID x 2 ID	Yes		1
101-3418	2-1/8 ID x 1-1/8 ID	Yes		1
101-3422	2-1/8 ID x 1-3/8 ID	Yes		1
101-3426	2-1/8 ID x 1-5/8 ID	Yes		1



Information correct at time of going to press. Not all products available in all countries.



**Copper Coupling (ID - ID) continued...**

SKY Item No.	Item Description	R-410A	CO2 60 Bar	Pack qty
101-3434	2-1/8 ID x 2-1/8 ID	Yes		1
101-4218	2-1/8 ID x 1-1/8 ID	Yes		1
101-4222	2-5/8 ID x 1-3/8 ID	Yes		1
101-4226	2-5/8 ID x 1-5/8 ID	Yes		1
101-4234	2-5/8 ID x 2-1/8 ID	Yes		1
101-4242	2-5/8 ID x 2-5/8 ID	Yes		1
101-4842	3 ID x 2-5/8 ID			1
101-4848	3 ID x 3 ID			1
101-5042	3-1/8 ID x 2-5/8 ID			1
101-5050	3-1/8 ID x 3-1/8 ID			1
101-6442	4 ID x 2-5/8 ID			1
101-6650	4-1/8 D x 3-1/8 ID			1
101-6666	4-1/8 D x 4-1/8 ID			1


**Copper Elbow 90° (OD - ID)**

SKY Item No.	Item Description	R-410A	CO2 60 Bar	Pack qty
102-0606	3/8 OD x 3/8 ID	Yes	Yes	3
102-0808	1/2 OD x 1/2 ID	Yes	Yes	3
102-1010	5/8 OD x 5/8 ID	Yes	Yes	3
102-1212	3/4 OD x 3/4 ID	Yes	Yes	3
102-1414	7/8 OD x 7/8 ID	Yes	Yes	3
102-1616	1 OD x 1 ID	Yes	Yes	2
102-1818	1-1/8 OD x 1-1/8 ID	Yes	Yes	2
102-2020	1-1/4 OD x 1-1/4 ID	Yes		1
102-2222	1-3/8 OD x 1-3/8 ID	Yes		2
102-2424	1-1/2 OD x 1-1/2 ID	Yes		2
102-2626	1-5/8 OD x 1-5/8 ID	Yes		2
102-3434	2-1/8 OD x 2-1/8 ID	Yes		1
102-4242	2-5/8 OD x 2-5/8 ID	Yes		1
102-5050	3-1/8 OD x 3-1/8 ID			1


**Copper Elbow 90° Short Radius**

SKY Item No.	Item Description	R-410A	CO2 60 Bar	Pack qty
104-0404	1/4 ID x 1/4 ID	Yes	Yes	5
104-0606	3/8 ID x 3/8 ID	Yes	Yes	5
104-0808	1/2 ID x 1/2 ID	Yes	Yes	10
104-1010	5/8 ID x 5/8 ID	Yes	Yes	10
104-1212	3/4 ID x 3/4 ID	Yes	Yes	5
104-1414	7/8 ID x 7/8 ID	Yes	Yes	5
104-1616	1 ID x 1 ID	Yes	Yes	2
104-1818	1-1/8 ID x 1-1/8 ID	Yes		2
104-2020	1-1/4 ID x 1-1/4 ID	Yes		1
104-2222	1-3/8 ID x 1-3/8 ID	Yes		1
104-2424	1-1/2 ID x 1-1/2 ID	Yes		1
104-2626	1-5/8 ID x 1-5/8 ID	Yes		1
104-3434	2-1/8 ID x 2-1/8 ID	Yes		1
104-4848	3 ID x 3 ID			1
104-5050	3-1/8 ID x 3-1/8 ID			1
104-6666	4-1/8 ID x 4-1/8 ID			1





**Copper Elbow 90°**

SKY Item No.	Item Description	R-410A	CO2 60 Bar	Pack qty
<b>103-0404</b>	1/4 ID x 1/4 ID	Yes	Yes	5
<b>103-0606</b>	3/8 ID x 3/8 ID	Yes	Yes	5
<b>103-0808</b>	1/2 ID x 1/2 ID	Yes	Yes	5
<b>103-1010</b>	5/8 ID x 5/8 ID	Yes	Yes	3
<b>103-1212</b>	3/4 ID x 3/4 ID	Yes	Yes	3
<b>103-1414</b>	7/8 ID x 7/8 ID	Yes	Yes	3
<b>103-1616</b>	1 ID x 1 ID	Yes	Yes	2
<b>103-1818</b>	1-1/8 ID x 1-1/8 ID	Yes		2
<b>103-1818-HP60</b>	1-1/8 ID x 1-1/8 ID - HP60	Yes	Yes	2
<b>103-2020</b>	1-1/4 ID x 1-1/4 ID	Yes		1
<b>103-2020-HP60</b>	1-1/4 ID x 1-1/4 ID - HP60	Yes	Yes	1
<b>103-2222</b>	1-3/8 ID x 1-3/8 ID	Yes		1
<b>103-2222-HP60</b>	1-3/8 ID x 1-3/8 ID - HP60	Yes	Yes	1
<b>103-2424</b>	1-1/2 ID x 1-1/2 ID	Yes		1
<b>103-2626</b>	1-5/8 ID x 1-5/8 ID	Yes		1
<b>103-2626-HP60</b>	1-5/8 ID x 1-5/8 ID - HP60	Yes	Yes	1
<b>103-3232</b>	2 ID x 2 ID	Yes		1
<b>103-3434</b>	2-1/8 ID x 2-1/8 ID	Yes		1
<b>103-4242</b>	2-5/8 ID x 2-5/8 ID	Yes		1
<b>103-4848</b>	3 ID x 3 ID			1
<b>103-5050</b>	3-1/8 ID x 3-1/8 ID			1
<b>103-6464</b>	4 ID x 4 ID			1
<b>103-6666</b>	4-1/8 ID x 4-1/8 ID			1


**Copper Elbow 45°**

SKY Item No.	Item Description	R-410A	CO2 60 Bar	Pack qty
<b>105-0606</b>	3/8 ID x 3/8 ID	Yes	Yes	3
<b>105-0808</b>	1/2 ID x 1/2 ID	Yes	Yes	3
<b>105-1010</b>	5/8 ID x 5/8 ID	Yes	Yes	3
<b>105-1212</b>	3/4 ID x 3/4 ID	Yes	Yes	3
<b>105-1414</b>	7/8 ID x 7/8 ID	Yes	Yes	5
<b>105-1616</b>	1 ID x 1 ID	Yes	Yes	2
<b>105-1818</b>	1-1/8 ID x 1-1/8 ID	Yes		2
<b>105-1818-HP60</b>	1-1/8 ID x 1-1/8 ID - HP60	Yes	Yes	2
<b>105-2020</b>	1-1/4 ID x 1-1/4 ID	Yes		3
<b>105-2222</b>	1-3/8 ID x 1-3/8 ID	Yes		1
<b>105-2222-HP60</b>	1-3/8 ID x 1-3/8 ID - HP60	Yes	Yes	1
<b>105-2424</b>	1-1/2 ID x 1-1/2 ID	Yes		1
<b>105-2626</b>	1-5/8 ID x 1-5/8 ID	Yes		1
<b>105-2626-HP60</b>	1-5/8 ID x 1-5/8 ID - HP60	Yes	Yes	1
<b>105-3232</b>	2 ID x 2 ID	Yes		1
<b>105-3434</b>	2-1/8 ID x 2-1/8 ID	Yes		1
<b>105-4242</b>	2-5/8 ID x 2-5/8 ID	Yes		1
<b>105-5050</b>	3-1/8 ID x 3-1/8 ID			1
<b>105-6666</b>	4-1/8 ID x 4-1/8 ID			1
<b>Male x Female</b>				
<b>105-W03359</b>	2-1/8 ID x 2-1/8 ID			1
<b>105-W03363</b>	2-5/8 ID x 2-5/8 ID			1
<b>105-W03368</b>	3-1/8 ID x 3-1/8 ID			1



**Copper Tee**

SKY Item No.	Item Description	R-410A	CO2 60 Bar	Pack qty
106-040404	1/4 ID x 1/4 ID x 1/4 ID	Yes	Yes	3
106-050504	5/16 ID x 5/16 ID x 1/4 ID	Yes	Yes	5
106-050505	5/16 ID x 5/16 ID x 5/16 ID	Yes	Yes	10
106-060604	3/8 ID x 3/8 ID x 1/4 ID	Yes	Yes	10
106-060606	3/8 ID x 3/8 ID x 3/8 ID	Yes	Yes	3
106-080804	1/2 ID x 1/2 ID x 1/4 ID	Yes	Yes	10
106-080806	1/2 ID x 1/2 ID x 3/8 ID	Yes	Yes	3
106-080808	1/2 ID x 1/2 ID x 1/2 ID	Yes	Yes	3
106-101006	5/8 ID x 5/8 ID x 3/8 ID	Yes	Yes	2
106-101008	5/8 ID x 5/8 ID x 1/2 ID	Yes	Yes	2
106-101010	5/8 ID x 5/8 ID x 5/8 ID	Yes	Yes	2
106-121206	3/4 ID x 3/4 ID x 3/8 ID	Yes	Yes	2
106-121208	3/4 ID x 3/4 ID x 1/2 ID	Yes	Yes	2
106-121210	3/4 ID x 3/4 ID x 5/8 ID	Yes	Yes	2
106-121212	3/4 ID x 3/4 ID x 3/4 ID	Yes	Yes	5
106-141414	7/8 ID x 7/8 ID x 7/8 ID	Yes	Yes	2
106-161608	1 ID x 1 ID x 1/2 ID	Yes	Yes	2
106-161612	1 ID x 1 ID x 3/4 ID	Yes	Yes	2
106-161616	1 ID x 1 ID x 1 ID	Yes	Yes	2
106-181818	1-1/8 ID x 1-1/8 ID x 1-1/8 ID	Yes		1
106-181818-HP60	1-1/8 ID x 1-1/8 ID x 1-1/8 ID - HP60	Yes	Yes	1
106-202020	1-1/4 ID x 1-1/4 ID x 1-1/4 ID	Yes		1
106-222222	1-3/8 ID x 1-3/8 ID x 1-3/8 ID	Yes		1
106-222222-HP60	1-3/8 ID x 1-3/8 ID x 1 3/8 ID - HP60	Yes	Yes	1
106-242424	1-1/2 ID x 1-1/2 ID x 1-1/2 ID	Yes		1
106-262614	1-5/8 ID x 1-5/8 ID x 7/8 ID	Yes		1
106-262626	1-5/8 ID x 1-5/8 ID x 1-5/8 ID	Yes		1
106-323232	2 ID x 2 ID x 2 ID	Yes		1
106-343434	2-1/8 ID x 2-1/8 ID x 2-1/8 ID	Yes		1
106-424242	2-5/8 ID x 2-5/8 ID x 2-5/8 ID	Yes		1
106-484848	3 ID x 3 ID x 3 ID			1
106-505050	3-1/8 ID x 3-1/8 ID x 3-1/8 ID			1
106-646464	4 ID x 4 ID x 4 ID			1
106-666666	4-1/8 ID x 4-1/8 ID x 4-1/8 ID			1


**Copper P-Trap**

SKY Item No.	Item Description	R-410A	CO2 60 Bar	Pack qty
107-10	5/8 ID	Yes	Yes	5
107-12	3/4 ID	Yes	Yes	5
107-14	7/8 ID	Yes	Yes	5
107-18	1-1/8 ID	Yes	Yes	2
107-22	1 3/8 ID	Yes		2
107-26	1 5/8 ID	Yes		2
107-34	2 1/8 ID	Yes		1



### Copper Bonnet

SKY Item No.	Item Description	Universal	R-410A	CO2 60 Bar	Pack qty
<b>108-04</b>	1/4 SAE	B1-4	Yes	Yes	5
<b>108-06</b>	3/8 SAE	B1-6	Yes	Yes	5
<b>108-08</b>	1/2 SAE	B1-8	Yes	Yes	3
<b>108-10</b>	5/8 SAE	B1-10	Yes	Yes	3
<b>108-12</b>	3/4 SAE	B1-12	Yes	Yes	10



### Copper Flare Washer

SKY Item No.	Item Description	Universal	R-410A	CO2 60 Bar	Pack qty
<b>109-04</b>	1/4 SAE	B2-4	Yes	Yes	10
<b>109-06</b>	3/8 SAE	B2-6	Yes	Yes	10
<b>109-08</b>	1/2 SAE	B2-8	Yes	Yes	10
<b>109-10</b>	5/8 SAE	B2-10	Yes	Yes	5
<b>109-12</b>	3/4 SAE	B2-12	Yes	Yes	5



### Copper End Cap

SKY Item No.	Item Description	R-410A	CO2 60 Bar	Pack qty
<b>110-06</b>	3/8 ID	Yes	Yes	2
<b>110-08</b>	1/2 ID	Yes	Yes	5
<b>110-10</b>	5/8 ID	Yes	Yes	5
<b>110-12</b>	3/4 ID	Yes	Yes	5
<b>110-14</b>	7/8 ID	Yes	Yes	2
<b>110-16</b>	1 ID	Yes	Yes	2
<b>110-18</b>	1-1/8 ID	Yes	Yes	1
<b>110-20</b>	1-1/4 ID	Yes	Yes	2
<b>110-22</b>	1-3/8 ID	Yes	Yes	1
<b>110-24</b>	1-1/2 ID	Yes	Yes	2
<b>110-26</b>	1-5/8 ID	Yes	Yes	1
<b>110-32</b>	2 ID	Yes		1
<b>110-34</b>	2-1/8 ID	Yes		1
<b>110-42</b>	2 5/8 ID	Yes		1
<b>110-48</b>	3 ID	Yes		1
<b>110-50</b>	3-1/8 ID	Yes		1
<b>110-64</b>	4 ID	Yes		1



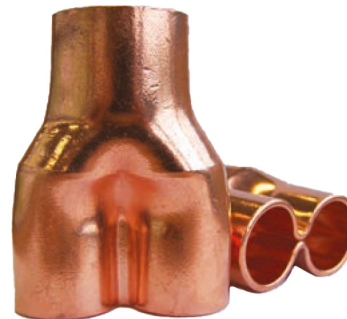


**Copper Flare Washer (Flare Safe)**

SKY Item No.	Item Description	R-410A	Pack qty
111-04	1/4MSAE	Yes	10
111-05	5/16MSAE	Yes	10
111-06	3/8MSAE	Yes	10
111-08	1/2MSAE	Yes	10
111-10	5/8MSAE	Yes	10
111-12	3/4MSAE	Yes	5


**Copper Y Piece**

SKY Item No.	Item Description	R-410A	Pack qty
113-080606	1/2 ID x 3/8 ID x 3/8 ID - R410A	Yes	2
113-080808	1/2 ID x 1/2 ID x 1/2 ID - R410A	Yes	5
113-100808	5/8 ID x 1/2 ID x 1/2 ID - R410A	Yes	2
113-101010	5/8 ID x 5/8 ID x 5/8 ID - R410A	Yes	2
113-121010	3/4 ID x 5/8 ID x 5/8 ID	Yes	2
113-121212	3/4 ID x 3/4 ID x 3/4 ID	Yes	2
113-141010	7/8 ID x 5/8 ID x 5/8 ID	Yes	2
113-141414	7/8 ID x 7/8 ID x 7/8 ID	Yes	2
113-161212	1 ID x 3/4 ID x 3/4 ID	Yes	5
113-181414	1-1/8 ID x 7/8 ID x 7/8 ID	Yes	2
113-221414	1-3/8 ID x 7/8 ID x 7/8 ID	Yes	2
113-261818	1-5/8 ID x 1-1/8 ID x 1-1/8 ID	Yes	2


**Copper Pipe Saddle**

SKY Item No.	Item Description	Pack qty
115-04	1/4 Dia	10
115-05	5/16 Dia	10
115-06	3/8 Dia	10
115-08	1/2 Dia	10
115-10	5/8 Dia	10
115-12	3/4 Dia	10
115-14	7/8 Dia	10
115-16	1 Dia	10
115-18	1-1/8 Dia	10
115-20	1-1/4 Dia	10
115-22	1-3/8 Dia	10
115-26	1-5/8 Dia	10
115-34	2-1/8 Dia	10



# SANHA 130bar Copper Fittings



Sanha RefHP 130bar high pressure solder fittings made from CuFe2p  
Made in the EU, these fittings are compliant with ASTM B 280, AS5149.2

## KEY FEATURES

- For use with R744 ( 130 bar & 150°C )
- ANS C19400 Copper Iron Alloy
- Traditional Brazed Joining
- Certified to TÜV
- High Corrosion Resistance
- Magnetic Identification

## Coupler ID x ID Centre Stop

SKY Item No.	Item Description
<b>121-129270-38</b>	3/8 Coupling w/stop XHP
<b>121-129270-12</b>	1/2 Coupling w/stop XHP
<b>121-129270-58</b>	5/8 Coupling w/stop XHP
<b>121-129270-34</b>	3/4 Coupling w/stop XHP
<b>121-129270-78</b>	7/8 Coupling w/stop XHP
<b>121-129270-118</b>	1 1/8 Coupling w/stop XHP
<b>121-129270-138</b>	1 3/8 Coupling w/stop XHP
<b>121-129270-158</b>	1 5/8 Coupling w/stop XHP
<b>121-129270-218</b>	2 1/8 Coupling w/stop XHP



## Coupling Reducer ID x ID

SKY Item No.	Item Description
<b>121-129240-1238</b>	Coupling reducer, ID x ID 1/2 x 3/8 XHP
<b>121-129240-5812</b>	Coupling reducer, ID x ID 5/8 x 1/2 XHP
<b>121-129240-3458</b>	Coupling reducer, ID x ID 3/4 x 5/8 XHP
<b>121-129240-7834</b>	Coupling reducer, ID x ID 7/8 x 3/4 XHP
<b>121-129240-7812</b>	Coupling reducer, ID x ID 7/8 x 1/2 XHP
<b>121-129240-11878</b>	Coupling reducer, ID x ID 1 1/8 x 7/8 XHP
<b>121-129240-13812</b>	Coupling reducer, ID x ID 1 3/8 x 1/2 XHP
<b>121-129240-13834</b>	Coupling reducer, ID x ID 1 3/8 x 3/4 XHP
<b>121-129240-13858</b>	Coupling reducer, ID x ID 1 3/8 x 5/8 XHP
<b>121-129240-13878</b>	Coupling reducer, ID x ID 1 3/8 x 7/8 XHP
<b>121-129240-138118</b>	Coupling reducer, ID x ID 1 3/8 x 1 1/8 XHP
<b>121-129240-15834</b>	Coupling reducer, ID x ID 1 5/8 x 3/4 XHP
<b>121-129240-15878</b>	Coupling reducer, ID x ID 1 5/8 x 7/8 XHP
<b>121-129240-158118</b>	Coupling reducer, ID x ID 1 5/8 x 1 1/8 XHP
<b>121-129240-218158</b>	Coupling reducer, ID x ID 2 1/8 x 1 5/8 XHP



## 90° Elbow M x F

SKY Item No.	Item Description
<b>122-129001A-38</b>	Elbow 3/8 90 degree M x F XHP
<b>122-129001A-12</b>	Elbow 1/2 90 degree M x F XHP
<b>122-129001A-58</b>	Elbow 5/8 90 degree M x F XHP
<b>122-129001A-34</b>	Elbow 3/4 90 degree M x F XHP
<b>122-129001A-78</b>	Elbow 7/8 90 degree M x F XHP
<b>122-129001A-118</b>	Elbow 1 1/8 90 degree Mx F XHP
<b>122-129001A-138</b>	Elbow 1 3/8 90 degree Mx F XHP
<b>122-129001A-158</b>	Elbow 1 5/8 90 degree Mx F XHP
<b>122-129001A-218</b>	Elbow 2 1/8 90 degree Mx F XHP



## 90° Elbow F x F

SKY Item No.	Item Description
<b>123-129002A-38</b>	Elbow 3/8 90 degree elbow, F x F XHP
<b>123-129002A-12</b>	Elbow 1/2 90 degree elbow, F x F XHP
<b>123-129002A-58</b>	Elbow 5/8 90 degree elbow, F x F XHP
<b>123-129002A34</b>	Elbow 3/4 90 degree elbow, F x F XHP
<b>123-129002A-78</b>	Elbow 7/8 90 degree elbow, F x F XHP
<b>123-129002A-118</b>	Elbow 1 1/8 90 degree elbow, F x F XHP
<b>123-129002A-138</b>	Elbow 1 3/8 90 degree elbow, F x F XHP
<b>123-129002A-158</b>	Elbow 1 5/8 90 degree elbow, F x F XHP
<b>123-129002A-218</b>	Elbow 2 1/8 90 degree elbow, F x F XHP



## 45° Degree Elbow

SKY Item No.	Item Description
<b>125-129041-38</b>	Elbow 3/8 ID x 3/8 ID 45 degree XHP
<b>125-129041-12</b>	Elbow 1/2 ID x 1/2 ID 45 degree XHP
<b>125-129041-58</b>	Elbow 5/8 ID x 5/8 ID 45 degree XHP
<b>125-129041-34</b>	Elbow 3/4 ID x 3/4 ID 45 degree XHP
<b>125-129041-78</b>	Elbow 7/8 ID x 7/8 ID 45 degree XHP
<b>125-129041-118</b>	Elbow 1 1/8 ID x 1 1/8 ID 45 degree XHP
<b>125-129041-138</b>	Elbow 1 3/8 ID x 1 3/8 ID 45 degree XHP
<b>125-129041-158</b>	Elbow 1 5/8 ID x 1 5/8 ID 45 degree XHP
<b>125-129041-218</b>	Elbow 2 1/8 ID x 2 1/8 ID 45 degree XHP




**Tee's and Reducing Tee's**

SKY Item No.	Item Description
126-129130-38	3/8 Tee F x Fx F XHP
126-129130-123838	1/2 x 3/8 x 3/8 Tee F x F x F XHP
126-129130-121238	1/2 x 1/2 x 3/8 Tee F x F x F XHP
126-129130-12	1/2 Tee F x F x F XHP
126-129130-585838	5/8 x 5/8 x 3/8 Tee F x F x F XHP
126-129130-581212	5/8 x 1/2 x 1/2 Tee F x F x F XHP
126-129130-585812	5/8 x 5/8 x 1/2 Tee F x F x F XHP
126-129130-58	5/8 Tee F x F x F XHP
126-129130-343412	3/4 x 3/4 x 1/2 Tee F x F x F XHP
126-129130-343458	3/4 x 3/4 x 5/8 Tee F x F x F XHP
126-129130-34	3/4 Tee F x Fx F XHP
126-129130-787812	7/8 x 7/8 x 1/2 Tee F x F x F XHP
126-129130-787858	7/8 x 7/8 x 5/8 Tee F x F x F XHP
126-129130-787834	7/8 x 7/8 x 3/4 Tee F x F x F XHP
126-129130-78	7/8 Tee F x F x F XHP
126-129130-1187812	1 1/8 x 7/8 x 1/2 Tee F x F x F XHP
126-129130-11811834	1 1/8 x 1 1/8 x 3/4 Tee F x F x F XHP
126-129130-11811878	1 1/8 x 1 1/8 x 7/8 Tee F x F x F XHP
126-129130-118	1 1/8 Tee F x F x F XHP
126-129130-13813834	1 3/8 x 1 3/8 x 3/4 Tee F x F x F XHP
126-129130-13813878	1 3/8 x 1 3/8 x 7/8 Tee F x F x F XHP
126-129130-138138118	1 3/8 x 1 3/8 x 1 1/8 Tee F x F x F XHP
126-129130-138	1 3/8 Tee F x F x F XHP
126-129130-158158118	1 5/8 x 1 5/8 x 1 1/8 Tee F x F x F XHP
126-129130-158158138	1 5/8 x 1 5/8 x 1 3/8 Tee F x F x F XHP
126-129130-158	1 5/8 Tee F x F x F XHP
126-129130-218	2 1/8 Tee F x F x F XHP


**End Cap**

SKY Item No.	Item Description
127-129301-38	3/8 Cap XHP
127-129301-12	1/2 Cap XHP
127-129301-58	5/8 Cap XHP
127-129301-34	3/4 Cap XHP
127-129301-78	7/8 Cap XHP
127-129301-118	1 1/8 Cap XHP
127-129301-138	1 3/8 Cap XHP
127-129301-158	1 5/8 Cap XHP
127-129301-218	2 1/8 Cap XHP


**Coupling OD x ID**

SKY Item No.	Item Description
128-129243-1238	Coupling reducer OD x ID 1/2 to 3/8 XHP
128-129243-5812	Coupling reducer OD x ID 5/8 to 1/2 XHP
128-129243-5838	Coupling reducer, OD x ID 5/8 x 3/8 XHP
128-129243-3438	Coupling reducer, OD x ID 3/4 x 3/8 XHP
128-129243-3412	Coupling reducer, OD x ID 3/4 x 1/2 XHP
128-129243-3458	Coupling reducer, OD x ID 3/4 x 5/8 XHP
128-129243-7838	Coupling reducer, OD x ID 7/8 x 3/8 XHP
128-129243-7812	Coupling reducer OD x ID 7/8 x 1/2 XHP
128-129243-7858	Coupling reducer OD x ID 7/8 x 5/8 XHP
128-129243-7834	Coupling reducer, OD x ID 7/8 x 3/4 XHP
128-129243-11812	Coupling reducer OD x ID 1 1/8 x 1/2 XHP
128-129243-11858	Coupling reducer OD x ID 1 1/8 x 5/8 XHP
128-129243-11834	Coupling reducer OD x ID 1 1/8 x 3/4 XHP
128-129243-11878	Coupling reducer OD x ID 1 1/8 x 7/8 XHP
128-129243-138118	Coupling reducer OD x ID 1 3/8 x 1 1/8 XHP
128-129243-15878	Coupling reducer OD x ID 1 5/8 x 7/8 XHP
128-129243-158138	Coupling reducer OD x ID 1 5/8 x 1 3/8 XHP
128-129243-218118	Coupling reducer OD x ID 2 1/8 x 1 1/8 XHP
128-129243-218138	Coupling reducer OD x ID 2 1/8 x 1 3/8 XHP
128-129243-218158	Coupling reducer OD x ID 2 1/8 to 1 5/8 XHP


**Imperial to Metric Connectors**

SKY Item No.	Item Description
128-129243IM1212	1/2 OD x 12mm ID inch/metric reducer XHP
128-129243IM7822	7/8 OD x 22mm ID inch/metric reducer XHP
128-129243IM11828	1 1/8 OD x 28mm ID inch/metric reducer XHP
128-129243IM13835	1 3/8 OD x 35 mm ID inch/metric reducer XHP
128-129243IM15842	1 5/8 OD x 42mm ID inch/metric reducer XHP





# NIBCO PressACR Copper Fittings

**NIBCO PressACR**



## Press ACR Press to Press coupling

SKY Item No.	Item Description	Pack qty
151-900015RPC	1/4 Press Coupling	10
151-900025RPC	5/16 Press Coupling	10
151-900035RPC	3/8 Press Coupling	10
151-900100RPC	1/2 Press Coupling	10
151-900110RPC	5/8 Press Coupling	10
151-900119RPC	3/4 Press Coupling	10
151-900125RPC	7/8 Press Coupling	10
151-900140RPC	1 Press Coupling	10
151-900145RPC	1 1/8 Press Coupling	5
151-900030RPC	5/16 X 1/4 Press Red Coup	10
151-900045RPC	3/8 X 1/4 Press Red Coup	10
151-900116RPC	5/8 X 1/4 Press Red Coup	10
151-900115RPC	5/8 X 1/2 Press Red Coup	10
151-900117RPC	5/8 X 3/8 Press Red Coup	10
151-900121RPC	3/4 X 5/8 Press Red Coup	10
151-900135RPC	7/8 X 1/2 Press Red Coup	10
151-900130RPC	7/8 X 5/8 Press Red Coup	10
151-900127RPC	7/8 X 3/4 Press Red Coup	10
151-900142RPC	1 X 7/8 Press Red Coup	10
151-900160RPC	1 1/8 X 1/2 Press Red Coup	10
151-900152RPC	1 1/8 X 3/4 Press Red Coup	10
151-900150RPC	1 1/8 X 7/8 Press Red Coup	5
151-900155RPC	1 1/8 X 5/8 Press Red Coup	10



## Press ACR Solder to Press coupling

SKY Item No.	Item Description	Pack qty
151-900775RPC	3/8 Sol X 1/4 Press Red	10
151-900780RPC	1/2 Sol X 3/8 Press Red	10
151-900800RPC	5/8 Sol X 1/2 Press Red	10
151-900802RPC	5/8 Sol X 3/8 Press Red	10
151-900804RPC	3/4 Sol X 5/8 Press Red	10
151-900815RPC	7/8 Sol X 1/2 Press Red	10
151-900810RPC	7/8 Sol X 5/8 Press Red	10
151-900808RPC	7/8 Sol X 3/4 Press Red	10
151-900830RPC	1 1/8 Sol X 7/8 Press Red	10



## Press ACR Press to Press coupling without stop

SKY Item No.	Item Description	Pack qty
151-902010RPC	1/4 Press Coupling (No Stop)	10
151-902015RPC	5/16 Press Coupling (No Stop)	10
151-902020RPC	3/8 Press Coupling (No Stop)	10
151-902025RPC	1/2 Press Coupling (No Stop)	10
151-902030RPC	5/8 Press Coupling (No Stop)	10
151-902035RPC	3/4 Press Coupling (No Stop)	10
151-902040RPC	7/8 Press Coupling (No Stop)	10
151-902045RPC	1 Press Coupling (No Stop)	10
151-902050RPC	1 1/8 Press Coupling (No Stop)	5



## Press ACR Press to Press Elbow 45°

SKY Item No.	Item Description	Pack qty
155-904250RPC	1/4 Press 45 Elbow	10
155-904255RPC	5/16 Press 45 Elbow	10
155-904260RPC	3/8 Press 45 Elbow	10
155-904270RPC	1/2 Press 45 Elbow	10
155-904280RPC	5/8 Press 45 Elbow	10
155-904286RPC	3/4 Press 45 Elbow	10
155-904296RPC	7/8 Press 45 Elbow	10
155-904290RPC	1 Press 45 Elbow	10
155-904300RPC	1 1/8 Press 45 Elbow	5




**Press ACR Press to Solder Elbow 90°**

SKY Item No.	Item Description	Pack qty
<b>153-908000RPC</b>	1/4 Sol Ftg X Press 90 Elbow	10
<b>153-908005RPC</b>	3/8 Sol Ftg X Press 90 Elbow	10
<b>153-908007RPC</b>	5/16 Sol Ftg X Press 90 Elbow	10
<b>153-908015RPC</b>	1/2 Sol Ftg X Press 90 Elbow	10
<b>153-908025RPC</b>	5/8 Sol Ftg X Press 90 Elbow	10
<b>153-908035RPC</b>	3/4 Sol Ftg X Press 90 Elbow	10
<b>153-908040RPC</b>	7/8 Sol Ftg X Press 90 Elbow	10
<b>153-908050RPC</b>	1 Sol Ftg X Press 90 Elbow	10
<b>153-908060RPC</b>	1 1/8 Sol Ftg X Press 90 Elbow	5


**Press ACR Press to Press Elbow 90°**

SKY Item No.	Item Description	Pack qty
<b>153-907755RPC</b>	1/4 Press 90 Elbow	10
<b>153-907760RPC</b>	5/16 Press 90 Elbow	10
<b>153-907765RPC</b>	3/8 Press 90 Elbow	10
<b>153-907775RPC</b>	1/2 Press 90 Elbow	10
<b>153-907785RPC</b>	5/8 Press 90 Elbow	10
<b>153-907800RPC</b>	3/4 Press 90 Elbow	10
<b>153-907815RPC</b>	7/8 Press 90 Elbow	10
<b>153-907825RPC</b>	1 Press 90 Elbow	10
<b>153-907840RPC</b>	1 1/8 Press 90 Elbow	5


**Press ACR Press to Press Tee**

SKY Item No.	Item Description	Pack qty
<b>156-909555RPC</b>	1/4 Press Tee	10
<b>156-909575RPC</b>	5/16 Press Tee	10
<b>156-909600RPC</b>	3/8 Press Tee	10
<b>156-909650RPC</b>	1/2 Press Tee	10
<b>156-909720RPC</b>	5/8 Press Tee	10
<b>156-909780RPC</b>	3/4 Press Tee	10
<b>156-909840RPC</b>	7/8 Press Tee	10
<b>156-909845RPC</b>	1 Press Tee	10
<b>156-909930RPC</b>	1 1/8 Press Tee	5


**Press ACR Press Cap**

SKY Item No.	Description	Pack qty
<b>157-917250RPC</b>	1/4 Press Tube Cap	10
<b>157-917252RPC</b>	5/16 Press Tube Cap	10
<b>157-917255RPC</b>	3/8 Press Tube Cap	10
<b>157-917260RPC</b>	1/2 Press Tube Cap	10
<b>157-917265RPC</b>	5/8 Press Tube Cap	10
<b>157-917267RPC</b>	3/4 Press Tube Cap	10
<b>157-917270RPC</b>	7/8 Press Tube Cap	10
<b>157-917272RPC</b>	1 Press Tube Cap	10
<b>157-917275RPC</b>	1 1/8 Press Tube Cap	5


**Press ACR Press to Flare**

SKY Item No.	Description	Pack qty
<b>158-900601RPC</b>	1/4 OD Press x SAE Flare to press adaptor	10
<b>158-900603RPC</b>	3/8 OD Press x SAE Flare to press adaptor	10
<b>158-900605RPC</b>	1/2 OD Press x SAE Flare to press adaptor	10
<b>158-900602RPC</b>	5/8 OD Press x SAE Flare to press adaptor	10
<b>158-900604RPC</b>	3/4 OD Press x SAE Flare to press adaptor	10


**Press ACR Press Y branch (bare)**

SKY Item No.	Description	Pack qty
<b>154-9345200RPC</b>	3/8 Ftg X Ftg Y Bipsol Joint	2
<b>154-9345250RPC</b>	1/2 Ftg X Ftg Y Bipsol Joint	2
<b>154-9345300RPC</b>	5/8 Ftg X Ftg Y Bipsol Joint	2
<b>154-9345350RPC</b>	3/4 Ftg X Ftg Y Bipsol Joint	2
<b>154-9345400RPC</b>	7/8 Ftg X Ftg Y Bipsol Joint	2
<b>154-9345450RPC</b>	1 1/8 Ftg X Ftg Y Bipsol Joint	2



**Press ACR Tools**

SKY Item No.	Description	Pack qty
150-K700003RPC	PRESSACR Depth Tool	1
150-K700002RPC	PRESSACR Crimp Gauge	1

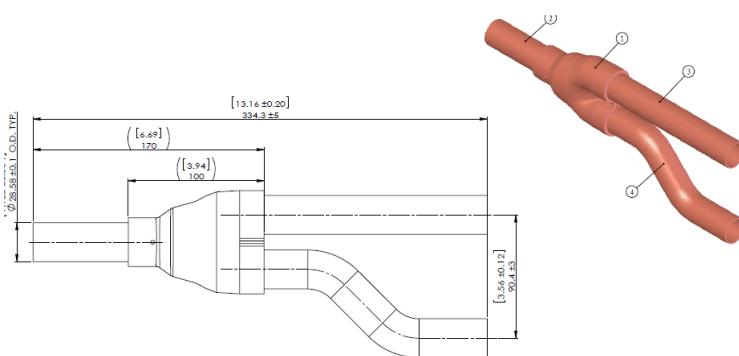


**Press ACR 19KN Tool and Jaws**

SKY Item No.	Description	Pack qty
150-R00214RPC	19kn Mini Press Tool & Case (No Batt Or Jaws)	1
150-R00216RPC	1/4 Jaw For Mini Pressing Tool	1
150-R00217RPC	5/16 Jaw For Mini Pressing Tool	1
150-R00218RPC	3/8 Jaw For Mini Pressing Tool	1
150-R00219RPC	1/2 Jaw For Mini Pressing Tool	1
150-R00215RPC	5/8 Jaw For Mini Pressing Tools	1
150-R00221RPC	3/4 Jaw For Mini Pressing Tool	1
150-R00220RPC	7/8 Jaw For Mini Pressing Tools	1
150-R00230RPC	1 1/8 Jaw For Mini Pressing Tool	1
150-MAK-CH-18V	Makita 18V Battery Charger	1
150-MAK-BAT-18V	Makita 18V Battery	1

**Press ACR 32KN Jaws**

SKY Item No.	Description	Pack qty
150-R00316RPC	1/4 Jaw for 32KN Tool	1
150-R00317RPC	5/16 Jaw for 32KN Tool	1
150-R00318RPC	3/8 Jaw for 32KN Tool	1
150-R00319RPC	1/2 Jaw for 32KN Tool	1
150-R00315RPC	5/8 Jaw for 32KN Tool	1
150-R00321RPC	3/4 Jaw for 32KN Tool	1
150-R00320RPC	7/8 Jaw for 32KN Tool	1
150-R00330RPC	1 1/8 Jaw for 32KN Tool	1



**SKY Y-Branch with insulation boot**

SKY Item No.	Description
114-060606	3/8 OD x 3/8 OD x 3/8 OD
114-080808	1/2 OD x 1/2 OD x 1/2 OD
114-101010	5/8 OD x 5/8 OD x 5/8 OD
114-121212	3/4 OD x 3/4 OD x 3/4 OD
114-141414	7/8 OD x 7/8 OD x 7/8 OD
114-181818	1 1/8 OD x 1 1/8 OD x 1 1/8 OD



**Sky Tube Prep**

SKY Item No.	Description
119-CT1203M	Cloth Tape 120 grade 3M
119-CT1803M	Cloth Tape 180 grade 3M
119-CT12050M	Cloth Tape 120 grade 50M
119-CT18050M	Cloth Tape 180 grade 50M
119-SPMAROON	Scourer Pad ( Maroon)



# Smartlock fittings



Metal on Metal flameless copper tube joining system



**NO BRAZING**



**NO FLARING**



**NO LEAKING**



**NO SPECIAL TOOLS**

SKY Item No.	Product	Connection
250-UNST1400	Union Straight	1/4
250-UNST3800	Union Straight	3/8
250-UNST1200	Union Straight	1/2
250-UNST5800	Union Straight	5/8
250-UNST3400	Union Straight	3/4
250-UNST7800	Union Straight	7/8
251-UNRD3814	Union Reducer	3/8 x 1/4
251-UNRD1238	Union Reducer	1/2 x 3/8
251-UNRD5812	Union Reducer	5/8 x 1/2
251-UNRD3458	Union Reducer	3/4 x 5/8
251-UNRD7834	Union Reducer	7/8 x 3/4
252-ELUN1200	Elbow Union	1/2
252-ELUN5800	Elbow Union	5/8
252-ELUN3400	Elbow Union	3/4
252-ELUN7800	Elbow Union	7/8
253-SWUN3800	Swage Union	3/8
253-SWUN1200	Swage Union	1/2
253-SWUN5800	Swage Union	5/8
253-SWUN3400	Swage Union	3/4
253-SWUN7800	Swage Union	7/8
254-FCMA1400	Flare Connector	1/4
254-FCMA3800	Flare Connector	3/8
254-FCMA1200	Flare Connector	1/2
254-FCMA5800	Flare Connector	5/8
254-FCMA3400	Flare Connector	3/4



# SKY Brass Fittings

## Forged Short Barrel Flare Nuts (CO2)

SKY Item No.	Item Description	Universal	Pack qty
201-0303	3/16 SAE	NS4-3	5
201-0404	1/4 SAE	NS4-4	5
201-0504	5/16 SAE X 1/4 Tube		2
201-0505	5/16 SAE	NS4-5	5
201-0606	3/8 SAE	NS4-6	5
201-0806	1/2 SAE X 3/8 Tube	NSR-86	2
201-0808	1/2 SAE	NSR-8	2
201-1008	5/8 SAE X 1/2 Tube	NSR-108	2
201-1010	5/8 SAE	NS4-10	2
201-1212	3/4 SAE	NS4-12	2

### KEY FEATURES

- Drop-forged from high purity brass, these nuts will not crack or split like machined flare nuts.
- Compliant for R-744/130bar



## Forged Long Barrel Flare Nuts (Frost Proof & CO2)

SKY Item No.	Item Description	Universal	Pack qty
202-0404	1/4 SAE	N4-4	5
202-0604	3/8 FSAE x 1/4 Tube	NRS4-64	2
202-0606	3/8 SAE	N4-6	5
202-0808	1/2 SAE	N4-8	2
202-1010	5/8 SAE	N4-10	2
202-1212	3/4 SAE	N4-12	2

### KEY FEATURES

- Drop-forged from high purity brass, these nuts will not crack or split like machined flare nuts
- With the addition of frost expansion ports, these long barrel nuts won't loosen at low temperature
- Compliant for R-744/130bar



## Flare Safe - Flare Solder Adaptors (410A)

SKY Item No.	Item Description	Pack qty
210-0404	Flare safe 1/4 FSAE x 1/4 ID SOL	1
210-0504	Flare safe 5/16 FSAE x 1/4 ID SOL	1
210-0606	Flare safe 3/8 FSAE x 3/8 ID SOL	1
210-0808	Flare safe 1/2 FSAE x 1/2 ID SOL	1
210-1010	Flare safe 5/8 FSAE x 5/8 ID SOL	1
210-1212	Flare safe 3/4 FSAE x 3/4 ID SOL	1

### KEY FEATURES

- The ultimate in single or multi-use flare connection security, these assemblies solder onto the copper tube. A specifically designed sacrificial washer is sandwiched in the joint between the Flare Safe's stainless steel seat and the flare surface, giving a secure moulded metal seal.



**Note:** A new washer should be used each time the joint is opened. Part no: 111-series

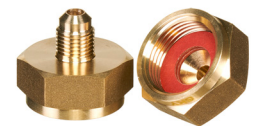
### Schrader Access Spares

SKY Item No.	Item Description	Universal	Pack qty
<b>204-1</b>	Schrader Valve Core - 410A	CD4460	5
<b>204-1 - HP</b>	Schrader Valve Core - <b>130bar</b>		5
<b>205-2</b>	5/16 Schrader Cap & O Ring - 410A		5
<b>205-3</b>	1/4 Schrader Cap with Tool	CD2250	10
<b>205-4</b>	1/4 Schrader Cap with O Ring NFT5-4	CD2245	10



### Cylinder Adaptor

SKY Item No.	Item Description	Universal	Pack qty
<b>203-0012</b>	3/4 FBSP Cyl Cap		1
<b>203-0410</b>	1/4 MSAE x 5/8 FBSP (NPSM)		1
<b>203-0610</b>	3/8 MSAE x 5/8 FBSP (NPSM)		1
<b>203-0412</b>	1/4 MSAE x 3/4 FBSP	K1-1	1
<b>203-0512</b>	5/16 MSAE x 3/4 FBSP-410A		1
<b>203-0532</b>	5/16 MSAE x 3/4 FBSP Left hand (R-32)		1
<b>203-0612</b>	3/8 MSAE x 3/4 FBSP	K1-3	1
<b>203-1012</b>	5/8 MSAE x 3/4 FBSP		1
<b>203-16MAP</b>	CYL Cap + Washer to Suit Map Gas		2
<b>10-wash</b>	Fibre washer for 5/8 Cyl adaptor		2
<b>20-wash</b>	Fibre washer for Cyl adaptor		2



### Schrader Access (Threaded)

SKY Item No.	Item Description	Universal	Pack qty
<b>206-0402</b>	Schrader Union - 1/4 Schrader x 1/8 MBSP incl. Cap & Core		5
<b>206-0404</b>	Schrader Union - 1/4 Schrader x 1/4 MBSP incl. Cap & Core		5
<b>207-0402</b>	Schrader Union - 1/4 Schrader x 1/8 NPT incl. Cap & Core	CD1818	5
<b>207-0404</b>	Schrader Union - 1/4 Schrader x 1/4 NPT incl. Cap & Core	CD1414	5



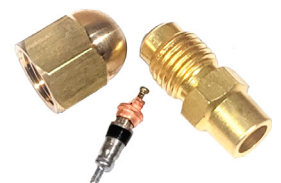
### Schrader Access (Copper Solder)

SKY Item No.	Item Description	Universal	Pack qty
<b>208-0403</b>	Schrader Union - 1/4 SCHR x 3/16 CU tail c/w Tool Cap & Core	CD1212	5
<b>208-0404</b>	Schrader Union - 1/4 SCHR x 1/4 CU Tail c/w Tool Cap & Core	CD2525	5
<b>208-0504</b>	Schrader Union - 410A - 5/16 SCHR- 1/4 CU Tail		2



### Schrader Access (Brass)

SKY Item No.	Item Description	Universal	Pack qty
<b>209-0403-3</b>	Schrader Union - 1/4 SCHR x 3 Steps 3/16 ID x 1/4 & 3/8 OD incl. Cap & Core	CD3338	5
<b>209-0403-3 HP</b>	Schrader Union - 1/3 SCHR x 3 Steps 3/16 ID x 1/3 & 3/8 OD <b>130bar</b>		1
<b>209-0404</b>	Schrader Union - 1/4 SCHR x 1/4 ID (3/8 OD SPIGOT) incl. Cap & Core	CD2506	5
<b>209-0404-HP</b>	Schrader Union - 1/4 SCHR x 1/4 ID Cap & Core <b>130bar</b>		1
<b>209-0406-HP</b>	Schrader Union - 1/4 SCHR x 3/8 ID Cap & Core <b>130bar</b>		1
<b>209-0504</b>	Schrader Union - 5/16SCHR x 1/4 ID incl. Cap & Core		5



### Schrader Access Elbow

SKY Item No.	Item Description	Universal	Pack qty
<b>211-0404</b>	1/4 SCHR x 1/4 MBSP Incl. Cap & Core		1
<b>212-0402</b>	1/4 SCHR x 1/8 MNPT - incl. Cap & Core		1



**Schrader Access Tee**

SKY Item No.	Item Description	Universal	Pack qty
213-040404	1/4Schr x 1/4 Schr x1/4 FSAE swivel (with depressor)	CD9628	2
214-040404	1/4Schr x 1/4 Schr x1/4 FSAE swivel branch (with depressor)	CD9627	2
215-040404	1/4Schr x 1/4 Schr x1/4 FSAE Fixed		2
215-040404-XHP	1/4Schr x 1/4 Schr x1/4 FSAE Fixed 130bar		1


**Access Quick Couplers**

SKY Item No.	Item Description	Universal	Pack qty
TE87	1/4 MSAE SCHR x 5/16 FSAE - Depressor	QC-S45	1
TE78	5/16 MSAE SCHR x 1/4 FSAE - Depressor	QC-S5	1



**Caution!** Inappropriate use could result in injury.

**Union (Brass) - Male BSP to Female BSP**

SKY Item No.	Item Description	Universal	Pack qty
216-0402	1/4 MBSP x 1/8 FBSP		1
216-0406	1/4 MBSP x 3/8 FBSP		1
216-0604	3/8 MBSP x 1/4 FBSP		1
216-0804	1/2 MBSP x 1/4 FBSP		1
216-0806	1/2 MBSP x 3/8 FBSP		1
216-0808	1/2 MBSP x 1/2 FBSP		2
216-1208	3/4 MBSP x 1/2 FBSP		1
216-1612	1 MBSP x 3/4 FBSP		1


**Union (Brass) - Male NPT to Female NPT**

SKY Item No.	Item Description	Universal	Pack qty
220-0202	1/8 MNPT x 1/4 FNPT		1
220-0402	1/4 MNPT x 1/8 FNPT		1
220-0408	1/4 MNPT x 1/2 FNPT		1
220-0604	3/8 MNPT x 1/4 FNPT		1
220-0608	3/8 MNPT x 1/2 FNPT		1
220-0804	1/2 MNPT x 1/4 FNPT		1
220-0806	1/2 MNPT x 3/8 FNPT		1
220-1208	3/4 MNPT x 1/2 FNPT		1
220-1612	1MNPT x 3/4 FNPT		1


**Sweat Union (Brass) - Male Flare to Solder**

SKY Item No.	Item Description	Universal	Pack qty
218-0404	1/4 MSAE x 1/4 ID	US3-44	1
218-0406	1/4 MSAE x 3/8 ID	US3-64	1
218-0604	3/8 MSAE x 3/4 ID	US3-46	1
218-0606	3/8 MSAE x 3/8 ID	US3-66	1
218-0608	3/8 MSAE x 1/2 ID	US3-68	1
218-0610	3/8 MSAE x 5/8 ID	US3-610	1
218-0806	1/2 MSAE x 3/8 ID	US3-86	1
218-0808	1/2 MSAE x 1/2 ID	US3-88	1
218-1008	5/8 MSAE x 1/2 ID	US3-108	1
218-1010	5/8 MSAE x 5/8 ID	US3-1010	1
218-1012	5/8 MSAE x 3/4 ID	US3-1012	1
218-1212	3/4 MSAE x 3/4 ID	US3-1212	1





**Sweat Union (Brass) - Male BSP to Solder**

SKY Item No.	Item Description	Universal	Pack qty
219-0404	1/4 MBSP x 1/4 ID		1
219-0604	3/8 MBSP x 1/4 ID		1
219-0606	3/8 MBSP x 3/8 ID		1
219-0608	3/8 MBSP x 1/2 ID		1
219-0808	1/2 NPT x 1/2 ID		1
219-0810	1/2 MBSP x 5/8 ID		1
219-1212	3/4 MBSP x 3/4 ID		1
219-1616	1" MBSP x 1" ID		1


**Union (Brass) - Male Flare to Male BSP/NPT**

SKY Item No.	Item Description	Universal	Pack qty
221-0402	1/4 MSAE x 1/8 MBSP		1
221-0402L	1/4 MSAE x 1/8 MBSP (long)		1
221-0404	1/4 MSAE x 1/4 MBSP		1
221-0406	1/4 MSAE x 3/8 MBSP		1
221-0408	1/4 MSAE x 1/2 MBSP		1
221-0602	3/8 MSAE x 1/8 MBSP		1
221-0604	3/8 MSAE x 1/4 MBSP		1
221-0606	3/8 MSAE x 3/8 MBSP		1
221-0608	3/8 MSAE x 1/2 MBSP		1
221-0612	3/8 MSAE x 3/4 MBSP		1
221-0804	1/2 MSAE x 1/4 MBSP		1
221-0806	1/2 MSAE x 3/8 MBSP		1
221-0808	1/2 MSAE x 1/2 MBSP		1
221-0812	1/2 MSAE x 3/4 MBSP		1
221-1008	5/8 MSAE x 1/2 MBSP		1
221-1012	5/8 MSAE x 3/4 MBSP		1
221-1208	3/4 MSAE x 1/2 MBSP		1
221-1212	3/4 MSAE x 3/4 MBSP		1


**Forged Elbow - Male Flare to Male BSP/NPT**

SKY Item No.	Item Description	Universal	Pack qty
222-0402	1/4 MSAE x 1/8 MBSP		1
222-0404	1/4 MSAE x 1/4 MBSP		1
222-0406	1/4 MSAE x 3/8 MBSP		1
222-0602	3/8 MSAE x 1/8 MBSP		1
222-0604	3/8 MSAE x 1/4 MBSP		1
222-0606	3/8 MSAE x 3/8 MBSP		1
222-0608	3/8 MSAE x 1/2 MBSP		1
222-0806	1/2 MSAE x 3/8 MBSP		2
222-0808	1/2 MSAE x 1/2 MBSP		2
222-1008	5/8 MSAE x 1/2 MBSP		2
222-1212	3/4 MSAE x 3/4 MBSP		1
223-0402	1/4 MSAE x 1/8 MNPT	E1-4A	2
223-0404	1/4 MSAE x 1/4 MNPT	E1-4B	2



**Union (Brass) - Female to Female**

SKY Item No.	Item Description	Universal	Pack qty
226-0404	1/4 FSAE x 1/4 FSAE	U4-4	1
226-0606	3/8 FSAE x 3/8 FSAE	U4-6	1
226-0808	1/2 FSAE x 1/2 FSAE	U4-8	1
225-0402	1/4 FSAE x 1/8 FNPT		1
227-040206-P	1/4 FSAE x 1/8 FNPT x 3/8G Dan Po Transmitter		1
227-0406-P	1/4 FSAE x 3/8 FBSPP 3/8G Parallel Dan Po Transmitter		1
228-0202	1/8 FBSP x 1/8 FBSP		1
228-0404	1/4 FBSP x 1/4 FBSP		1
228-0606	3/8 FBSP x 3/8 FBSP		1
228-0808	1/2 FBSP x 1/2 FBSP		1
228-1212	3/4 FBSP x 3/4 FBSP		1


**Union (Brass) - Female NPT x 3/8 Solder**

SKY Item No.	Item Description	Universal	Pack qty
229-0406	1/4 FNPT x 3/8 Solder		1

**Forged Brass Tee**

SKY Item No.	Item Description	Universal	Pack qty
230-040404	1/4 MSAE x 1/4 MSAE x 1/4 MSAE	T2-4	1
230-060606	3/8 MSAE x 3/8 MSAE x 3/8 MSAE	T2-6	1
230-080808	1/2 MSAE x 1/2 MSAE x 1/2 MSAE	T2-8	1
230-101010	5/8 MSAE x 5/8 MSAE x 5/8 MSAE	T2-10	1
230-121212	3/4 MSAE x 3/4 MSAE x 3/4 MSAE	T2-12	1
232-040404	1/4 MSAE x 1/4 MSAE x 1/4 FSAE	T6-4	1
233-040402	1/4 MSAE x 1/4 MSAE x 1/8 MBSP		1
233-040404	1/4 MSAE x 1/4 MSAE x 1/4 MBSP		1
234-040204	1/4 MSAE x 1/4 MSAE Angle x 1/8 NPT Run	T3-4A	1
234-040404	1/4 MSAE x 1/4 MSAE Angle x 1/4 NPT Run	T3-4B	1
234-060606	3/8 MSAE x 3/8 MSAE Angle x 3/8 NPT Run	T3-6C	1
234-080606	1/2 MSAE x 1/2 MSAE Angle x 3/8 NPT Run	T3-8C	1
235-040402	1/4 MSAE x 1/8 MNPT x 1/4 MSAE	T5-4A	1
235-040404	1/4 MSAE x 1/4 MNPT x 1/4 MSAE	T5-4B	1
236-060608	3/8 MSAE x 3/8 MSAE x 1/2 MSAE	TR2-68	1
236-080806	1/2 MSAE x 1/2 MSAE x 3/8 MSAE	TR2-68	1
237-040404	1/4 FBSP x 1/4 FBSP x 1/4 FBSP		1
238-040204	1/4 MSAE x 1/8 NPT x 1/4 MSAE	T1-4A	1
238-040404	1/4 MSAE x 1/4 NPT x 1/4 MSAE	T1-4B	1


**Union (Brass) - Male Flare to Male Flare**

SKY Item No.	Item Description	Universal	Pack qty
240-0404	1/4 MSAE x 1/4 MSAE	U2-4	1
240-0504	5/16 MSAE x 1/4 MSAE	UR2-54	1
240-0505	5/16 MSAE x 5/16 MSAE	U2-5	1
240-0604	3/8 MSAE x 1/4 MSAE	UR2-64	1
240-0606	3/8 MSAE x 3/8 MSAE	U2-6	1
240-0804	1/2 MSAE x 1/4 MSAE	UR2-84	1
240-0806	1/2 MSAE x 3/8 MSAE	UR2-86	1
240-0808	1/2 MSAE x 1/2 MSAE	U2-8	1
240-1004	5/8 MSAE x 1/4 MSAE	UR2-104	1
240-1008	5/8 MSAE x 1/2 MSAE	UR2-108	1
240-1010	5/8 MSAE x 5/8 MSAE	U2-10	1
240-1208	3/4 MSAE x 1/2 MSAE	UR2-128	1
240-1210	3/4 MSAE x 5/8 MSAE	UR2-1210	1
240-1212	3/4 MSAE x 3/4 MSAE	U2-12	1



Information correct at time of going to press. Not all products available in all countries.



**Union (Brass) - Male Flare to Male NPT**

SKY Item No.	Item Description	Universal	Pack qty
244-0402	1/4 MSAE x 1/8 MNPT	U1-4A	1
244-0404	1/4 MSAE x 1/4 MNPT	U1-4B	1
244-0406	1/4 MSAE x 3/8 MNPT	U1-4C	1
244-0408	1/4 MSAE x 1/2 MNPT	U1-4D	1
244-0504	5/16 MSAE x 1/4 MNPT	U1-5B	1
244-0506	5/16 MSAE x 3/8 MNPT	U1-5C	1
244-0602	3/8 MSAE x 1/8 MNPT	U1-6A	1
244-0604	3/8 MSAE x 1/4 MNPT	U1-6B	1
244-0606	3/8 MSAE x 3/8 MNPT	U1-6C	1
244-0608	3/8 MSAE x 1/2 MNPT	U1-6D	1
244-0804	1/2 MSAE x 1/4 MNPT	U1-8B	1
244-0806	1/2 MSAE x 3/8 MNPT	U1-8C	1
244-0808	1/2 MSAE x 1/2 MNPT	U1-8D	1
244-1008	5/8 MSAE x 1/2 MNPT	U1-10D	1


**Union (Brass) - Male Flare to Female Flare**

SKY Item No.	Item Description	Universal	Pack qty
245-0404	1/4 MSAE x 1/4 FSAE	UR3-44	1
245-0405	1/4 MSAE x 5/16 FSAE	UR3-54	1
245-0406	1/4 MSAE x 3/8 FSAE	UR3-64	1
245-0408	1/4 MSAE x 1/2 FSAE	UR3-84	1
245-0504	5/16 MSAE x 1/4 FSAE	UR3-45	1
245-0506	5/16 MSAE x 3/8 FSAE	UR3-65	1
245-0604	3/8 MSAE x 1/4 FSAE	UR3-46	1
245-0606	3/8 MSAE x 3/8 FSAE	UR3-66	1
245-0608	3/8 MSAE x 1/2 FSAE	UR3-86	1
245-0610	3/8 MSAE x 5/8 FSAE	UR3-610	1
245-0804	1/2 MSAE x 1/4 FSAE	UR3-48	1
245-0806	1/2 MSAE x 3/8 FSAE	UR3-68	1
245-0810	1/2 MSAE x 5/8 FSAE	UR3-108	1
245-1008	5/8 MSAE x 1/2 FSAE	UR3-810	1
245-1012	5/8 MSAE x 3/4 FSAE	UR3-1210	1
245-1210	3/4 MSAE x 5/8 FSAE	UR3-1012	1


**Union (Brass) - Male Flare to Female BSP**

SKY Item No.	Item Description	Universal	Pack qty
246-0402	1/4 MSAE x 1/8 FBSP		1
246-0404	1/4 MSAE x 1/4 FBSP		1
246-0406	1/4 MSAE x 3/8 FBSP		1
246-0406-P	1/4 MSAE x 3/8 FBSP 3/8G Parallel Dan Po Transmitter		1
246-0604	3/8 MSAE x 1/4 FBSP		1
246-0606	3/8 MSAE x 3/8 FBSP		1
246-0608	3/8 MSAE x 1/2 FBSP		1
246-0808	1/2 MSAE x 1/2 FBSP		1
246-0806	1/2 MSAE x 3/8 FBSP		1
246-1008	5/8 MSAE x 1/2 FBSP		1




**Forged Elbow - Male Flare to Male Flare**

SKY Item No.	Item Description	Universal	Pack qty
<b>261-0404</b>	1/4 MSAE x 1/4 MSAE	E2-4	1
<b>261-0606</b>	3/8 MSAE x 3/8 MSAE	E2-6	1
<b>261-0808</b>	1/2 MSAE x 1/2 MSAE	E2-8	1
<b>261-1010</b>	5/8 MSAE x 5/8 MSAE	E2-10	1


**Forged Elbow - Male Flare to Female Flare**

SKY Item No.	Item Description	Universal	Pack qty
<b>260-0404</b>	1/4 MSAE x 1/4 FSAE	E4-44	1
<b>260-0606</b>	3/8 MSAE x 3/8 FSAE	E4-66	1
<b>260-0808</b>	1/2 MSAE x 1/2 FSAE	E4-88	1


**Union (Brass) - Male Flare to Female NPT**

SKY Item No.	Item Description	Universal	Pack qty
<b>247-0402</b>	1/4 MSAE x 1/8 FNPT	U3-4A	1
<b>247-0404</b>	1/4 MSAE x 1/4 FNPT	U3-4B	1
<b>247-0406</b>	1/4 MSAE x 3/8 FNPT	U3-4C	1
<b>247-0602</b>	3/8 MSAE x 1/8 FNPT	U3-6A	1
<b>247-0604</b>	3/8 MSAE x 1/4 FNPT	U3-6B	1
<b>247-0606</b>	3/8 MSAE x 3/8 FNPT	U3-6C	1
<b>247-0804</b>	1/2 MSAE x 1/4 FNPT	U3-8B	1
<b>247-0806</b>	1/2 MSAE x 3/8 FNPT	U3-8C	1
<b>247-0808</b>	1/2 MSAE x 1/2 FNPT	U3-8D	1
<b>247-1006</b>	5/8 MSAE x 3/8 FNPT	U3-10C	1
<b>247-1008</b>	5/8 MSAE x 1/2 FNPT	U3-10D	2
<b>247-1012</b>	5/8 MSAE x 3/4 FNPT	U3-10E	1

**Forged Elbow - Flare to FNPT**

SKY Item No.	Item Description	Universal	Pack qty
<b>262-0402</b>	1/4 MSAE x 1/8 FNPT	E3-4A	1
<b>262-0404</b>	1/4 MSAE x 1/4 FNPT	E3-4B	1

**Forged Elbow - Solder to Flare**

SKY Item No.	Item Description	Universal	Pack qty
<b>263-0404</b>	1/4 Solder ID x 1/4 MSAE	ES2-44	1
<b>263-0606</b>	3/8 Solder ID x 3/8 MSAE	ES2-66	1

**Forged Elbow - Flare to Flare Swivel**

SKY Item No.	Item Description	Universal	Pack qty
<b>264-04</b>	1/4 MSAE x 1/4 FSAE Swivel	ES4-44	1
<b>264-06</b>	3/8 MSAE x 3/8 FSAE Swivel	ES4-66	1
<b>264-08</b>	1/2 MSAE x 1/2 FSAE Swivel	ES4-88	1


**Male Flare Plug**

SKY Item No.	Item Description	Universal	Pack qty
<b>270-04</b>	1/4 MSAE	P2-4	1
<b>270-05</b>	5/16 MSAE	P2-5	1
<b>270-06</b>	3/8 MSAE	P2-6	1
<b>270-08</b>	1/2 MSAE	P2-8	1
<b>270-10</b>	5/8 MSAE	P2-10	1
<b>270-12</b>	3/4 MSAE	P2-12	1

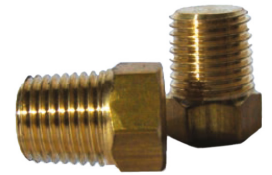

**Female Flare Cap**

SKY Item No.	Item Description	Universal	Pack qty
<b>275-04</b>	1/4 FSAE	N5-4	1
<b>275-05</b>	5/16 FSAE	N5-5	1
<b>275-06</b>	3/8 FSAE	N5-6	1
<b>275-08</b>	1/2 FSAE	N5-8	1
<b>275-10</b>	5/8 FSAE	N5-10	1
<b>275-12</b>	3/4 FSAE	N5-12	1



**Brass Plug MBSP**

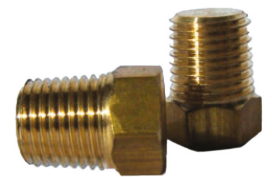
SKY Item No.	Item Description	Universal	Pack qty
280-02	1/8 MBSP		1
280-04	1/4 MBSP		1
280-06	3/8 MBSP		1
280-08	1/2 MBSP		1
280-12	3/4 MBSP		1


**Flare Swivel Connector**

SKY Item No.	Item Description	Universal	Pack qty
295-04	1/4 FSAE x 1/4 FSAE	US4-4	1
295-06	3/8 FSAE x 3/8 FSAE	US4-6	1
295-08	1/2 FSAE x 1/2 FSAE	US4-8	1
295-10	5/8 FSAE x 5/8 FSAE	US4-10	1
295-12	3/4 FSAE x 3/4 FSAE	US4-12	1


**Brass Plug MNPT**

SKY Item No.	Item Description	Universal	Pack qty
285-02	1/8 MNPT	P3-A	1
285-04	1/4 MNPT	P3-B	1
285-06	3/8 MNPT	P3-C	1
285-08	1/2 MNPT	P3-D	1
285-16	1 MNPT		1


**Male BSP to Male BSP**

SKY Item No.	Item Description	Universal	Pack qty
251-0202	1/8 MBSP x 1/8 MBSP		1
251-0402	1/4 MBSP x 1/8 MBSP		1
251-0404	1/4 MBSP x 1/4 MBSP		2
251-0604	3/8 MBSP x 1/4 MBSP		2
251-0606	3/8 MBSP x 3/8 MBSP		2
251-0806	1/2 MBSP x 3/8 MBSP		2
251-0808	1/2 MBSP x 1/2 MBSP		2
251-1212	3/4 MBSP x 3/4 MBSP		1


**Flare Copper Capillary**

SKY Item No.	Item Description	CO2 48 Bar	Pack qty
290-0404	Capillary - 1/4 FSAE x 900mm	Yes	1
290-0404D	Capillary with Depressor - 1/4 FSAE x 900mm	Yes	1
290-0404-1000	Capillary - 1/4 FSAE x 1000mm	Yes	1
290-0404-1500	Capillary - 1/4 FSAE x 1500mm	Yes	1



# Brass Fittings Service Kits

## KEY FEATURES

- Handy refillable case with the most commonly used fittings.
- Dedicated kits for Schrader access fittings, flare nuts and 130bar CO2

### Schrader Fittings Kit (CD-200-KIT-1)

SKY Item No.	Item Description	Qty
CD-209-0403-3	Schr Union 1/4 SCHR x 3 Steps cap, core	5
CD-208-0404	Schr Union 1/4SCHR x 1/4CU Tail cap, core	5
CD-207-0402	Schr Union Assy 1/4SCHR x1/8NPT cap, core	5
CD-207-0404	Schr Union Assy 1/4SCHR x1/4NPT cap, core	5
CD-208-0504	Schr Union 5/16SCHR x1/4CU Tail cap, core	2
CD-213-040404	Swivel Tee 1/4 FSAE 2x1/4 SCHR cap, core	2
CD-214-040404D	Schr valve swivel branch 1/4" T cap, core	2
CD-205-4	1/4" Flare Schrader cap no tool	5
CD-204-1	Schrader Valve Core - 410A	10

### Flare Nut Kit (CD-200-KIT-2)

SKY Item No.	Item Description	Qty
CD-109-04	Flared Copper Washer 1/4"	10
CD-109-06	Flared Copper Washer 3/8"	10
CD-109-08	Flared Copper Washer 1/2"	10
CD-109-10	Flared Copper Washer 5/8"	10
CD-109-12	Flared Copper Washer 3/4"	10
CD-201-0404	Flare Nut Short Barrel 1/4" FSAE	10
CD-201-0505	Short Barrel Brass Flare Nut - 5/16" FSAE	10
CD-201-0606	Short Barrel Brass Flare Nut - 3/8" FSAE	10
CD-201-0808	Short Barrel Brass Flare Nut - 1/2" FSAE	6
CD-201-1010	Short Barrel Brass Flare Nut - 5/8" FSAE	2
CD-201-1212	Short Barrel Brass Flare Nut - 3/4" FSAE	2
CD-201-0604	Forged Reducing Flare Nut - 3/8 FSAE x 1/4	4

### CO2 130bar Brass & Schrader Kit (CD-200-KIT-3)

SKY Item No.	Item Description	Qty
CD-204-1-HP	Schrader core 130bar	10
CD-275-04	1/4" SAE Cap 130bar	10
CD-275-06	3/8" SAE Cap 130bar	5
CD-207-0402-HP	Schr Union 1/4SCHRx1/8NPT cap, core130bar	5
CD-207-0404-HP	Schr Union 1/4SCHRx1/4NPT cap, core130bar	5
CD-209-0403-3-HP	Schrader Union - 1/4 SCHR x 3 Steps	5
CD-209-0404-HP	Schrader Union 1/4 Schr (1/4) 130bar	5
CD-209-0406-HP	Schrader Union 1/4 Schr (3/8) 130bar	5
CD-215-040404-XHP	1/4SCH x 1/4SCH x 1/4 FSAE fixed 130bar	4
CD-218-0406	1/4MSAE x 3/8 ID solder 130bar	4



# SKY Pressure Vessels

## Filter Driers (Flare Solid Core) 60bar rated

SKY Part No.	Item Description	Lay-in length	Diameter	Capacity kW R-22/410A	Capacity kW R-404A	Capacity kW R-134a
300-032	1/4 MSAE	110	43	7	5	7
300-033	3/8 MSAE	121	43	19	13	17
300-052	1/4 MSAE	122	64	8	5	7
300-053	3/8 MSAE	132	64	19	14	18
300-082	1/4 MSAE	143	64	8	5	7
300-083	3/8 MSAE	152	64	21	14	19
300-084	1/2 MSAE	156	64	29	20	26
300-162	1/4 MSAE	157	78	8	5	7
300-163	3/8 MSAE	168	78	24	16	22
300-164	1/2 MSAE	175	78	33	22	30
300-165	5/8 MSAE	185	78	47	30	43
300-303	3/8 MSAE	250	78	23	15	21
300-304	1/2 MSAE	250	78	34	22	31
300-305	5/8 MSAE	258	78	49	33	45
300-306	3/4 MSAE	286	78	65	43	59
300-415	5/8 MSAE	258	90	54	37	52
300-416	3/4 MSAE	269	90	72	49	66

Liquid capacity calculated on: Evaporating temp: -15°C Condensing temp: 30°C  
pd: 7 kpa (1 psi)

## Filter Driers (Flare Solid Core) 120bar rated and optimised for R744

SKY Part No.	Item Description	Lay-in length	Diameter
300-082XHP	1/4 MSAE	152	70
300-083XHP	3/8 MSAE	158	70
300-164XHP	1/2 MSAE	182	80

## Filter Driers (Solder Solid Core) 60bar rated

SKY Part No.	Item Description	Lay-in length	Diameter	Capacity kW R-22/410A	Capacity kW R-404A	Capacity kW R-134a
301-032S	1/4 SOL	110	43	7	5	7
301-033S	3/6 SOL	112	43	7	5	7
301-052S	1/4 SOL	122	64	7	5	7
301-053S	3/8 SOL	122	64	7	5	7
301-082S	1/4 SOL	131	64	8	5	7
301-083S	3/8 SOL	135	64	21	14	19
301-084S	1/2 SOL	137	64	25	17	23
301-162S	1/4 SOL	156	78	24	16	22
301-163S	3/8 SOL	156	78	24	16	22
301-164S	1/2 SOL	156	78	33	22	30
301-165S	5/8 SOL	160	78	47	30	43
301-304S	1/2 SOL	236	78	34	22	31
301-305S	5/8 SOL	238	78	49	33	45
301-306S	3/4 SOL	238	78	65	43	59
301-307S	7/8 SOL	241	78	65	43	59
301-417S	7/8 SOL	252	90	99	65	92



### KEY FEATURES

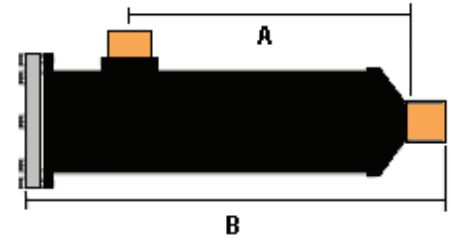
Manufactured in accordance with ISO/AS 5149.2, with a SWP of 60bar

- Solid core block of 100% molecular sieve, for the ultimate in moisture take up, speed, capacity and retention.
- Membrane filter element will remove and retain all harmful particles.
- Anti-corrosion powder coat finish with chrome flare connections offering increased service life.
- Solid copper connection on solder version.



**Accessible Filter & Driers Shells Std (48 & 60 Bar CO2 available on request)**

SKY Part No.	Item Description	Connection	Lay-in A	Length - B
302-1401	1 Core - 7/8 SOL	7/8	140	240
302-1402	2 Core - 7/8 SOL	7/8	280	390
302-1801	1 Core - 1-1/8 SOL	1 1/8	140	240
302-1802	2 Core - 1-1/8 SOL	1 1/8	280	390
302-2201	1 Core - 1-3/8 SOL	1 3/8	140	240
302-2202	2 Core - 1-3/8 SOL	1 3/8	280	390
302-2203	3 Core - 1-3/8 SOL	1 3/8	424	536
302-2601	1 Core - 1-5/8 SOL	1 5/8	140	240
302-2602	2 Core - 1-5/8 SOL	1 5/8	280	390
302-2603	3 Core - 1-5/8 SOL	1 5/8	424	536
302-2604	4 Core - 1-5/8 SOL	1 5/8	567	685
302-3401	1 Core - 2-1/8 SOL	2 1/8	140	240
302-3402	2 Core - 2-1/8 SOL	2 1/8	280	390
302-3403	3 Core - 2-1/8 SOL	2 1/8	424	536
302-3404	4 Core - 2-1/8 SOL	2 1/8	567	685
302-4202	2 Core - 2-5/8 SOL	2 5/8	280	390
302-4203	3 Core - 2-5/8 SOL	2 5/8	424	536
302-4204	4 Core - 2-5/8 SOL	2 5/8	567	685
302-4802	2 Core - 3 SOL	3	280	390
302-5002	2 Core - 3 1/8 SOL	3 1/8	285	395
310-6401	1 Core - 4 SOL/WELD	4	150	310



**KEY FEATURES**

Manufactured in accordance with ISO/AS 5149.2, with a SWP of 4,380 kpa

- The ultimate in accessible drier shells, able to handle the high pressures of R-410a std, CO2 upgradeable.
- Double plated steel end plate with stainless steel bolts for extended service life.
- Anti-corrosion powder coat finish with solid copper connections for ease of installation and increased service life.
- Featuring a large secondary mesh filter enabling particulate removal with minimal Pd.

**Accessible Filter & Driers Capacity**

SKY Part No.	Liquid kW R-404A	Liquid kW R-22/407C	Liquid kW R-134A	Suction kW R-22/R-407C	Suction kW R-404A	Suction kW R-134a
302-1401	100	158	140	38	13	10
302-1402	146	128	193	56	19	14
302-1801	135	210	188	51	17	13
302-1802	155	240	218	58	20	15
302-2201	165	260	226	63	22	17
302-2202	212	328	296	79	27	20
302-2601	165	260	230	63	22	17
302-3401	227	262	323	63	22	17
302-3402	260	398	358	95	32	24
302-3403	280	425	390	92	31	23
302-3404	330	510	460	122	41	31
302-4202	360	398	358	95	32	24
302-4203	390	425	390	92	31	29
302-4204	460	510	460	112	41	36
302-4802	478	531	482	125	49	40
310-6401	491	572	502	139	56	45



Liquid capacity calculated on:  
 Evaporating temp: -15°C  
 Condensing temp: 30°C  
 pd: 7 kpa (1 psi)

Suction capacity calculated on:  
 Evaporating temp: 4.4°C  
 Condensing temp: 32°C  
 pd: 7 kpa (1 psi)



### Bi-Flow Filter Driers

SKY Part No.	Connection	Lay-in length	Diameter	Capacity kW R-22/407C	Capacity kW R-410A	Capacity kW R-134a
304-082	1/4 MSAE	145	65	4.1	4.1	3.7
304-083	3/8 MSAE	155	65	8	8	7.4
304-084	1/2 MSAE	163	65	8.9	8.9	8
304-163	3/8 MSAE	169	78	18.9	18.9	17
304-164	1/2 MSAE	177	78	30	30	27
304-165	5/8 MSAE	185	78	38.5	38.5	34.6
304-082S	1/4 SOL	116	65	4.1	4.1	3.7
304-083S	3/8 SOL	120	65	8	8	7.4
304-084S	1/2 SOL	122	65	8.9	8.9	8
304-163S	3/8 SOL	134	78	18.9	18.9	17
304-164S	1/2 SOL	134	78	30	30	27
304-165S	5/8 SOL	134	78	38.5	38.5	34.6
304-167S	7/8 SOL	134	81	41.8	43.1	37.8
304-307S	7/8 SOL	238	90.2	51.3	52.8	47.1



#### KEY FEATURES

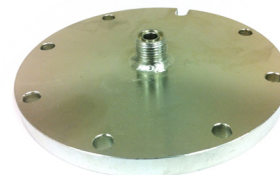
Manufactured in accordance with ISO/AS 5149.2, with a SWP of 4,380 kpa

- Solid core block of 100% molecular sieve, for the ultimate in moisture take up, speed, capacity and retention.
- Membrane filter elements in both directions will remove and retain all harmful particles.
- SKY bi-flow driers feature a multi-valve low pd design with hyperextension supports offering extended service life.
- Anti-corrosion powder coat finish with chrome flare connections for increased service life.

Liquid capacity calculated on: Evaporating temp: -15°C  
 Condensing temp: 30°C  
 pd: 7 kpa (1 psi)

### Accessible Shell Spares

SKY Part No.	Item Description
302-inter-1	Internal carrier (1 core)
302-Inter-2	Internal carrier (2 core)
302-Inter-3	Internal carrier (3 core)
302-Inter-4	Internal carrier (4 core)



### Drier Cores

SKY Part No.	Item Description	Core Composition	Interchangeable Upgrade For
305-1	Standard Core - All round Clean Up	80%MS/20%AL	48-DN, PCK-48, 3049-1, RC-4864
305-2	Ultra Dry Core - High Moisture Removal	100%MS Ideal for POE oil	48-DU, Z-48, 3050-1, RCW-40, UK-48
305-3	Burn-Out Core - Superior Acid Removal	60%MS/35%AL /5%AC	DA-48, RC-4864-HH,3051-1, PCK-48_HH, W-48
305-4	Suction Filter Element - Low pressure drop	Particle Removal Element	PRE-48BD, 3052-2, F48R, VS48F, F-48
305-5	Gasket Set - End Plate		
305-6	Accessible Drier Bracket		
305-7	High Capacity Core -100 series	100%MS Ideal for POE oil	3050-100
305-8	Filter Element - Low Pressure Drop 100 series	Particle Removal Element	
305-12	Plated steel end plate with 1/4 NPT hole		
305-14	Alloy top plate with 1/4 NPT hole (Mueller)		
305-15	Teflon Top Gasket		
305-16	End plate with 3/4 R/L Socket		
305-20	Neoprene Top O-Ring		
305-201	Stainless Steel End Plate 304 grade		





### Burnout Clean-up Filter Driers (Solid Core)

SKY Part No.	Connection	Lay-in length	Diameter	Capacity kW R-22/410A	Capacity kW R-404A	Capacity kW R-134A
303-083	3/8 MSAE - Dual Access	146	64	6	4.5	3.5
303-163	3/8 MSAE - Dual Access	170	78	13	8	5.5
303-164	1/2 MSAE - Dual Access	177	78	15	8.5	6
303-165	5/8 MSAE - Dual Access	186	78	20	13	9.5
303-305	5/8 MSAE - Dual Access	259	78	18	15	12.5
303-306	3/4 MSAE - Dual Access	238	78	22	19	14
303-083S	3/8 SOL - Dual Access	146	64	6	4.5	3.5
303-163S	3/8 SOL - Dual Access	159	78	15	8.5	6
303-164S	1/2 SOL - Dual Access	162	78	15	8.5	6
303-165S	5/8 SOL - Dual Access	160	78	20	13	9.5
303-306S	3/4 SOL - Dual Access	239	78	22	19	14
303-307S	7/8 SOL - Dual Access	245	78	26	22	16
303-309S	1-1/8 SOL - Dual Access	245	78	31	27	20



### Pancake

SKY Part No.	Connection	Lay-in length	Diameter	Capacity kW R-22/410A	Capacity kW R-404A	Capacity kW R-134A
303P-405S	5/8 ID - Dual Access	108	88	18	16	13
303P-406S	3/4 ID - Dual Access	108	88	21	20	17
303P-407S	7/8 ID - Dual Access	108	88	24	20	17
303P-409S	1-1/8 ID - Dual Access	118	88	28	24	21



#### KEY FEATURES

Manufactured in accordance with ISO/AS 5149.2, with a SWP of 3,200 kpa

- Solid core block of 60% MS/ 35% AL/ 5% AC, for the ultimate in acid, wax and moisture take-up, capacity and retention
- Membrane filter element will remove and retain all harmful particles.
- Anti-corrosion powder coat finish with chrome flare or solid copper connections, for ease of installation and increased service life.
- Dual access ports to monitor Pd and contaminant take up.



### Suction Accumulators

SKY Part No.	Connection	Height	Diameter	Volume	Weight
306-0815	1/2ID Suction Accumulator	218mm	102mm	1.6L	1.9kg
306-1016	5/8ID Suction Accumulator	218mm	102mm	1.6L	1.9kg
306-1019	5/8ID Suction Accumulator	270mm	102mm	1.9L	2.7kg
306-1216	3/4ID Suction Accumulator	244mm	102mm	1.6L	2.8kg
306-1226	3/4ID Suction Accumulator	255mm	128mm	2.6L	3.2kg
306-1434	7/8ID Suction Accumulator	325mm	128mm	3.4L	3.5kg
306-1440	7/8ID Suction Accumulator	370mm	128mm	4.0L	3.8kg
306-1855	1 1/8ID Suction Accumulator	340mm	159mm	5.5L	5.9kg
306-1859	1 1/8ID Suction Accumulator	430mm	140mm	5.9L	6.4kg
306-2263	1 3/8ID Suction Accumulator	350mm	160mm	6.3L	6.9kg
306-2271	1 3/8ID Suction Accumulator	460mm	159mm	7.2L	6.4kg
306-2610	1 5/8ID Suction Accumulator	575mm	159mm	10.5L	6.7kg
306-3415	2 1/8ID Suction Accumulator	540mm	219mm	15L	7.1kg
306-4234	2 5/8ID Suction Accumulator	763mm	273mm	34L	12kg
306-5048	3 1/8ID Suction Accumulator	767mm	325mm	48L	14.1kg



### KEY FEATURES

Manufactured in accordance with ISO/AS 5149.2, with a SWP of 3,600 kpa

- Full flow “U” tube with minimal pressure drop
- Large surface area strainer fitted to oil return orifice

### Accumulator Capacity

SKY Part No.	Capacity kw R-22/407C	Capacity kw R-404A	Capacity kw R-134A
306-1016	11kw	10kw	5.9kw
306-1019	11.2kw	11.2kw	6kw
306-1216	14.5kw	13.4kw	8kw
306-1226	14.9kw	14.5kw	8.2kw
306-145008HE	20.5kw	19kw	11kw
306-1434	20.5kw	19kw	11kw
306-1440	20.5kw	19.6	11.1kw
306-1855	31.5kw	31.5kw	16.8kw
306-185508HE	32.8kw	31.5	16.8kw
306-1859	33.6kw	32.8	17kw
306-2263	99kw	97kw	60kw
306-2271	102kw	99kw	61kw
306-2610	148kw	142kw	73kw
306-3415	179kw	171kw	91kw
306-4234	212kw	204kw	111kw
306-5048	323kw	308kw	169kw

Suction capacity calculated on: Evaporating temp: 4.4°C  
 Condensing temp: 32°C  
 pd: 7 kpa (1 psi)



### Oil Separators (with internal baffles and deaerate system)

SKY Part No.	Connection	Height	Diameter	Weight	Oil Connection	Oil Charge
307-065	3/8 ID	150mm	102mm	2.0kg	1/4 MSAE	500ml
307-06	3/8 ID	245mm	102mm	2.2kg	1/4 MSAE	500ml
307-08	1/2 ID	245mm	102mm	2.2kg	1/4 MSAE	500ml
307-10	5/8 ID	300mm	102mm	3.0kg	1/4 MSAE	500ml
307-14	7/8 ID	344mm	102mm	3.3kg	1/4 MSAE	500ml
307-18	1-1/8 ID	370mm	102mm	3.6kg	1/4 MSAE	500ml
307-22	1-3/8 ID	352mm	152mm	3.7kg	3/8 MSAE	1250ml
307-26	1 5/8 ID	429mm	152mm	3.9kg	3/8 MSAE	1250ml

### KEY FEATURES

Manufactured in accordance with ISO/AS 5149.2, with a SWP of 4350 kpa

- Featuring minimal Pd to improve your plant efficiency.
- Two stage stainless steel oil separation membranes.
- Separate oil storage compartment to allow separated oil to de-aerate and cool down.
- Anti-corrosion powder coat finish with solid copper connections.



### Oil Separator/Reservoir - For use with electronic or external level control

SKY Part No.	Connection	Height	Diameter	Oil Change
307-14-E	7/8 ID x 3/4 R/L Oil return	344mm	102mm	500ml
307-18-E	1 1/8 ID x 3/4 R/L Oil return	370mm	102mm	500ml
307-22-E	1 3/8 ID x 3/4 R/L Oil return	352mm	152mm	1250ml
307-26-E	1 5/8 ID x 3/4 R/L Oil return	429mm	152mm	1250ml
With Sight Glasses				
307-14-E2	7/8 ID x 3/4 R/L Oil return 2 x SGL	352mm	152mm	1250ml
307-18-E1	1 1/8 x 1/4MSAE with one sight glass	370mm	102mm	500ml
307-18-E2	1 1/8 ID x 3/4 R/L Oil return 2 x SGL	352mm	152mm	1250ml
307-22-E2	1 3/8 ID x 3/4 R/L Oil return 2 x SGL	352mm	152mm	1250ml



### Oil Separator Capacity

SKY Part No.	R22/407C kW 0° +5°	R-404a kW - -30° -20°	R-404a kW - -10° 0°	R-134a kW - -30° -20°	R-134a kW - -10° 0°
307-06	5.0 5.1	4.1 4.3	5.0 5.1	3.7 3.9	4.5 4.6
307-08	6.5 6.8	5.8 6.2	6.5 6.8	5.2 5.6	5.9 6.1
307-10	18.2 18.8	15.4 16.2	17.5 18.5	15.2 15.8	16.4 16.9
307-14	26.9 27.6	24.0 25.2	26.6 28.0	22.9 23.8	24.2 24.8
307-18	35.3 36.4	31.7 33.4	35.0 36.6	29.8 30.9	31.8 32.8
307-22	48.0 48.6	43.1 45.2	48.3 49.5	42.0 42.7	43.2 43.8
307-26	62.1 63.2	54.3 57.2	60.5 63.6	52.2 53.8	54.1 55.6

Capacity calculated on:

Condensing temp: 30°C  
pd: 7 kpa (1 psi)

### Centrifugal Oil Separator/Reservoir

SKY Part No.	Connection	Height	Diameter	Max cfm	Oil Charge
307-COS6-22	1 3/8 ID	850mm	152mm	12	5.6L
307-COS6-26	1 5/8 ID	850mm	152mm	17	5.6L
307-COS6-34	2 1/8 ID	850mm	152mm	27	5.6L
307-CO10-42	2 5/8 ID	762mm	254mm	76	9.4L

### Centrifugal Oil separator Capacity

SKY Part No.	Capacity kw R-22/407C -40 +5	Capacity kw R-404A -40 +5	Capacity kw R-134A -40 +5
307-COS6-22	56 63	52 67	35 45
307-COS6-26	70 80	67 84	52 60
307-COS6-34	112 133	105 137	80 94
307-CO10-42	316 351	281 364	198 246



# Temprite CO2 and R717 Options

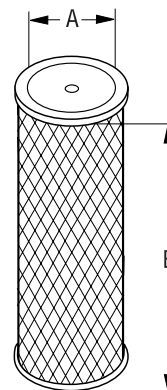
## Temprite®

### Temprite Technology

Temprite's coalescent oil separators (COS) set the industry standard for energy-efficient performance. Unlike conventional separators, coalescent oil separators are not dependent on velocity for efficiency, maintaining the same level of effectiveness down to 20% of maximum flow.

#### KEY FEATURES

- The high-efficiency performance of coalescing oil separators means better heat transfer through the coils, translating into significant kW savings.
- Coalescent oil separators are ideal for OEM applications where system cleanliness is paramount.



### Coalescent with Integral Reservoir

SKY Part No.	Item Description
307-922R	5/8" ODS Coalescent with integral reservoir
307-923R	7/8" ODS Coalescent with integral reservoir
307-924R	1-1/8" ODS Coalescent with integral reservoir
307-925R	1-3/8" ODS Coalescent with integral reservoir
307-926R	1-5/8" ODS Coalescent with integral reservoir
307-927R	2-1/8" ODS Coalescent with integral reservoir
307-928R	2-5/8" ODS Coalescent with integral reservoir
307-930R	3-1/8" ODS Coalescent with integral reservoir
308-67035517	R-717 valve to make ammonia compatible



### Coalescent Filter Kits Note: for AU models, add AU to the part number.

SKY Part No.	Item Description
308-62034000	Std efficiency to suit 922-923/R
308-62037000	Std efficiency to suit 924-925/R
308-62029245	Std efficiency to suit 924-925/R-AU
308-62028000	Std efficiency to suit 926-927/R
308-62051000	Std efficiency to suit 928/R
308-62085000	Std efficiency to suit 930/R

### CO2 130 Bar

SKY Part No.	Item Description
309-133A	1/2" Butt Weld Coalescent Transcritical
309-135A	3/4" Butt Weld Coalescent Transcritical
309-137A	1" Butt Weld Coalescent Transcritical



### Coalescent Filter Kits CO2

SKY Part No.	Item Description
308-62021133	Std Filter Kit to suit Temprite 133A Oil Separator
308-62021135	Std Filter Kit to suit Temprite 135A Oil Separator
308-62021137	Std Filter Kit to suit Temprite 137A Oil Separator
308-62021138	Std Filter Kit to suit Temprite 138A Oil Separator
308-62021139	Std Filter Kit to suit Temprite 139A Oil Separator



# Genuine Temprite Accessories

**Temprite®**

## Oil Reservoirs

SKY Part No.	Item Description	Length	Diameter
<b>308-47058</b>	6 Litre/ 4.5 to top sight glass	13-1/2"	9-3/4"
<b>308-47080</b>	7.9 Litre/ 6.4 to top sight glass	19-1/4"	15-1/2"

## Oil Filters and Strainer

SKY Part No.	Item Description	Length	Diameter	SWP
<b>308-083</b>	3/8 MSAE, 74 micron	147 mm	64 mm	4800 kpa
<b>308-083-XHP</b>	3/8 FBSP, convertible to MSAE or Sol	120mm	64mm	120 Bar/CO2
<b>308-1</b>	Oil filter element to suit 413 filter shell	10 micron		
<b>308-413</b>	Accessible oil filter shell	168mm	89mm	4500 kpa
<b>308-303-F</b>	3/8 oil filter / drier (S-4005 equiv)	251mm	76mm	4500 kpa

Manufactured in accordance with ISO/AS 5149.2

## Oil Return Sight Glass

SKY Part No.	Item Description	SWP
<b>612-0406</b>	Oil sight glass 3/8 sol x 1/4 MSAE	6000 kpa
<b>612-0606</b>	Oil sight glass 3/8 sol x 3/8 MSAE	6000 kpa

## Oil Level Controllers

SKY Part No.	Item Description	SWP
<b>308-RG-4F</b>	Multi fit mechanical float oil regulator	3600 kpa
<b>308-0606-5</b>	Oil line pressure differential check valve 5lb	3600 kpa
<b>308-3358000</b>	Temprite high side float 3/4 Rotalock x 1/4 MSAE	4480 kpa
<b>308-3458000</b>	Temprite high side float 3/4 FNPT x 1/4 MSAE	4480 kpa
<b>308-3358717</b>	Temprite high side float 3/4 Rotalock x 1/4 FNPT	4480 kpa
<b>308-3458717</b>	Temprite high side float 3/8 FNPT x 1/4 FNPT	4480 kpa
<b>308-COM1-230</b>	Electronic oil level controller Deka 240VAC	6000 kpa
<b>308-COM1-24</b>	Electronic oil level controller Deka 24VAC (can switch 240)	6000 kpa
<b>308-COM1-MULTI</b>	Adaptor COM1 - Multi Fit 3 & 4 bolt	6000 kpa
<b>308-COM1-OCT/MAN</b>	Adaptor COM1- 1 1/8 - 18 UNEF Bitzer Octagon and Manuerope	6000 kpa
<b>308-COM1-COP1</b>	Adaptor Deka COM1-Copeland 1 1/4 - 12 UNF ZB and ZR15 to 190	4200 kpa
<b>308-COM1-COP2</b>	Adaptor Deka COM1-Copeland 3/4 NPT	
<b>308-COM1-COP3</b>	Adaptor Deka COM1-Copeland 1 3/4 - 12 UNF ZB and ZR250 to 380	4200 kpa

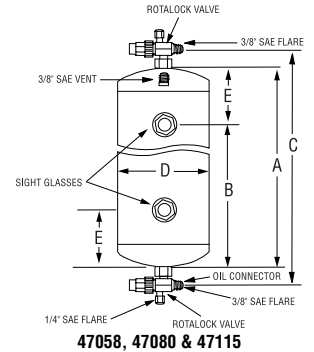
Manufactured in accordance with ISO/AS 5149.2

## Differential Pressure Gauge and Switch

SKY Part No.	Connection	Range	Switch Point
<b>308-PD-01</b>	1/4 MSAE	0-15psi	12 psid

## Oil Differential Check Valve

SKY Part No.	Item Description
<b>308-OVC-20</b>	Oil differential check valve





**Liquid Receivers**

SKY Part No.	Connection	Height	Diameter	Volume
<b>309-14</b>	3/4 R/L x 1/4 ID (Top outlet)	200	100	1.4L
<b>309-24</b>	3/4 R/L x 3/8 ID (Top outlet)	272	114	2.4L
<b>309-44</b>	3/4 R/L x 1/2 ID (Top outlet)	332	165	5.1L
<b>309-82</b>	1 R/L x 1 R/L	449	165	8.2L
<b>309-100</b>	1 R/L x 1 R/L	510	165	10L
<b>309-109</b>	1 R/L x 1 R/L	354	219	11L
<b>309-145</b>	1 R/L x 1 R/L	434	219	14.6L
<b>309-245</b>	1 3/4 R/L X 1 3/4 R/L (Top outlet)	546	273	24.5L
<b>309-35-V</b>	1 1/4 R/L x 1 3/4 R/L	1000	219	35L
<b>309-45-V</b>	1 3/4 R/L X 1 3/4 R/L	900	273	45L
<b>309-60-V</b>	1 3/4 R/L X 1 3/4 R/L	1200	273	60L
<b>309-90-V</b>	2 1/4 R/L x 2 1/4 R/L Horizontal	1233	325	90L
<b>309-35-H</b>	1 1/4 R/L x 1 3/4 R/L	1000	219	35L
<b>309-45-H</b>	1 3/4 R/L X 1 3/4 R/L	900	273	45L
<b>309-60-H</b>	1 3/4 R/L X 1 3/4 R/L Horizontal and Vertical	1200	273	60L
<b>309-100-VH</b>	2 1/4 R/L X 2 1/4 R/L	1440	232	100L
<b>309-130-VH</b>	1 5/8 Cast iron valve's	1191	400	130L
<b>309-160-VH</b>	1 5/8 Cast iron valve's	1434	400	160L
<b>309-200-VH</b>	2 1/8 Cast iron valve's	1200	485	200L
<b>309-250-VH</b>	2 1/8 Cast iron valve's	1500	485	250L


**KEY FEATURES**

**Manufactured in accordance with ISO/AS 5149.2, with a SWP of 3,300 kpa**

- Featuring minimal pd to improve your plants efficiency.
- Where fitted with a PRV socket, a SKY safety socket is used to ensure nil chance of refrigerant leakage.
- Anti-corrosion powder coat finish with solid copper connections.
- Receivers with rotalock connection not supplied with valves.
- Large vertical receivers have liquid level switch port
- Any 1 1/4 rotalock sightglass can have a liquid level switch added with adaptor 412-202020

**Discharge Muffler and Harmonic Attenuators**

SKY Part No.	Connection	lay in	Dia	SWP
<b>311-14</b>	7/8" ID	280mm	76mm	4200kpa
<b>311-18</b>	1 1/8" ID	310mm	76mm	3600kpa
<b>311-22</b>	1 3/8" ID	350mm	102mm	3600kpa
<b>311-26</b>	1 5/8" ID	360mm	102mm	3600kpa
<b>311-32</b>	2 1/8" ID	546mm	152mm	3600kpa

**KEY FEATURES**

- Utilizing harmonic wave cut principles to reduce noise and smooth the discharge pulse.
- Oil drain channels (no oil logging)
- Solid copper connectors.



Note: Sky pressure vessels are manufactured in accordance with Australian standards and registered with Worksafe where applicable. For hazardous location installation, further registration costs may apply.



# Rotalock Valves, Connections and Accessories

## KEY FEATURES

- High flow port design with a substantially lowered Pd across the valve
- Double plated for ultimate corrosion resistance over the extended service life.
- Solid Copper connectors for ease of installation
- Double access ports on service valves (the lower has schrader capability)
- Packaged with Teflon Gasket.
- R-410A compliant SWP 4380 Kpa

Manufactured in accordance with ISO/AS 5149.2

## Rotalock Service Valve (Dual Access)

SKY Part No.	Item Description
401-041220	1/4 ID x 3/4 R/L
401-061220	3/8 ID x 3/4 R/L
401-081220	1/2 ID x 3/4 R/L
401-061620	3/8 ID x 1 R/L
401-081620	1/2 ID x 1 R/L
401-101620	5/8 ID x 1 R/L
401-102030	5/8 ID x 1-1/4 R/L
401-122030	3/4 ID x 1-1/4 R/L
401-142030	7/8 ID x 1-1/4 R/L
401-142830	7/8 ID x 1-3/4 R/L
401-182030	1-1/8 ID x 1-1/4 R/L
401-182835	1-1/8 ID x 1-3/4 R/L
401-222835	1-3/8 ID x 1-3/4 R/L
401-262835	1-5/8 ID x 1-3/4 R/L
401-263650	1-5/8 ID x 2-1/4 R/L



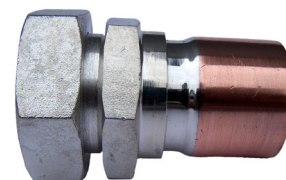
## Rotalock Teflon Gasket Packet of 5

SKY Part No.	Item Description
400-12	Suit 3/4 R/L
400-16	Suit 1 R/L
400-20	Suit 1-1/4 R/L
400-28	Suit 1-3/4 R/L
400-36	Suit 2-1/4 R/L
499-Multi	Multi Pack (one of each size)



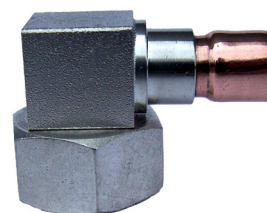
## Rotalock Straight Connector

SKY Part No.	Item Description
402-0416	1/4 ID x 1 R/L
402-0612	3/8 ID x 3/4 R/L
402-0816	1/2 ID x 1 R/L
402-2228	1 3/8 ID x 1 3/4 RL
402-1016	5/8 ID x 1 R/L
402-1416	7/8 ID x 1 R/L
402-1420	7/8 ID x 1 1/4 R/L
402-1820	1-1/8 ID x 1-1/4 R/L
402-1828	1-1/8 ID x 1-3/4 R/L



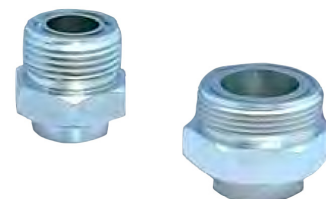
## Rotalock Elbow Connector

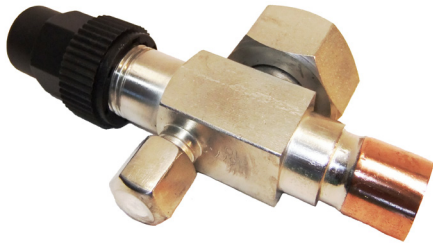
SKY Part No.	Item Description
403-0612	3/8 ID x 3/4 R/L
403-0816	1/2 ID x 1 R/L
403-1016	5/8 ID x 1 R/L
403-1020	5/8 ID x 1 1/4 R/L
403-1216	3/4 ID x 1 R/L
403-1416	7/8 ID x 1 R/L
403-1420	7/8 ID x 1-1/4 R/L
403-1820	1-1/8 ID x 1-1/4 R/L
403-1828	1-1/8 ID x 1-3/4 R/L
403-2636	1 5/8 ID x 2 1/4 R/L
407-0412	1/4 MSAE x 3/4 R/L
407-0612	3/8 MSAE x 3/4 R/L



## Rotalock Male Tube Connector ID Solder

SKY Part No.	Item Description
408-0812	1/2 Sol x 3/4 R/L
408-0816	1/2 Sol x 1 R/L
408-1216	3/4 Sol x 1 R/L
408-1220	3/4 Sol x 1 1/4 R/L
408-1420	7/8 Sol x 1 1/4 R/L
408-1828	1 1/8 Sol x 1 3/4 R/L
408-2228	1 3/8 Sol x 1 3/4 R/L
408-2236	1 3/8 Sol x 2 1/4 R/L
408-2636	1 5/8 Sol x 2 1/4 R/L





**Rotalock Receiver Valve (Single Access)**

SKY Part No.	Item Description
401-061220S	3/8 ID x 3/4 R/L
401-081620S	1/2 ID x 1 R/L
401-101620S	5/8 ID x 1 R/L
401-102030S	5/8 ID x 1-1/4 R/L
401-142030S	7/8 ID x 1 1-1/4 R/L
401-182030S	1 1/8 ID x 1 1-1/4 R/L
401-182835S	1-1/8 ID x 1-3/4 R/L
401-222835S	1-3/8 ID x 1-3/4 R/L
401-262835S	1-5/8 ID x 1-3/4 R/L



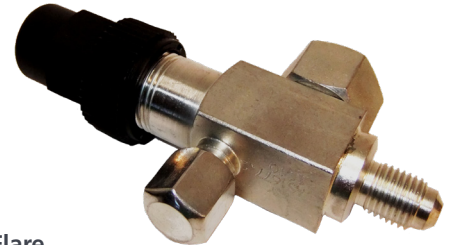
**Rotalock Caps**

SKY Part No.	Item Description
411-20	Plastic Rotalock Valve Cap 20 mm Body
411-30	Plastic Rotalock Valve Cap 30 mm Body
411-35	Plastic Rotalock Valve Cap 35 mm Body
411-203035	Multi Pack (one of each valve cap)



**Rotalock Male Tube Connector OD Solder**

SKY Part No.	Item Description
410-0816	1/2 Sol x 1 R/L
410-1216	3/4 Sol x 1 R/L
410-1420	7/8 Sol x 1 1/4 R/L
410-1828	1 1/8 Sol x 1 3/4 R/L
410-2228	1 3/8 Sol x 1 3/4 R/L



**Rotalock Valve Flare**

SKY Part No.	Item Description
404-041220S	1/4 MSAE x 3/4 R/L
404-061220N	3/8 SAE x 3/4 R/L No access
404-061220S	3/8 SAE x 3/4 R/L
404-081620	1/2 MSAE x 1" R/L
405-061220	3/8 MSAE x 3/4 R/L Base



**Rotalock Adaptor**

(For fitting liquid level switch to any 1 1/4 rotable sightglass)

SKY Part No.	Item Description
409-202020	1 1/4 Female x 1 1/4 Male x 2



**Right Angle Brass Isolations Valves**

SKY Part No.	Item Description
415-1010	5/8 Sol x 5/8 Sol
415-1212	3/4 Sol x 3/4 Sol
415-1414	7/8 Sol x 7/8 Sol
415-1818	1 1/8 Sol x 1 1/8 Sol
415-2222	1 3/8 Sol x 1 3/8 Sol
415-2626	1 5/8 Sol x 1 5/8 Sol



# Service Valves

## KEY FEATURES

- Engineered for minimal pd and extended service life
- Forged or solid brass body
- Polished stainless steel stem
- R-410A compatible, CO2 compliant 60 bar

Manufactured in accordance with ISO/AS 5149.2, UL and CE

### Capped Line Valve - Flare CO2 120 Bar

SKY Part No.	Item Description
<b>420-0404</b>	1/4 MSAE
<b>420-0606</b>	3/8 MSAE
<b>420-0808</b>	1/2 MSAE
<b>420-1010</b>	5/8 MSAE



### Capped Line Valve - Flare/Solder CO2 140 Bar

SKY Part No.	Item Description
<b>427-0404-XHP</b>	1/4 ID (Lower) x 1/4 MSAE
<b>427-0406-XHP</b>	3/8 ID (Lower) x 1/4 MSAE
<b>427-0606-XHP</b>	3/8 ID (Lower) x 3/8 MSAE
<b>427-0406-XHP-ST</b>	3/8 ID (Lower) x 1/4 MSAE
<b>427-0606-XHP-ST</b>	3/8 ID (Lower) x 3/8 MSAE



### Capped Line Valve - Flare/MBSP

SKY Part No.	Item Description
<b>421-0404ST</b>	1/4 MSAE x 1/4 MBSP
<b>421-0406ST</b>	1/4 MSAE x 3/8 MBSP
<b>421-0604ST</b>	3/8 MSAE x 1/4 MBSP
<b>421-0606ST</b>	3/8 MSAE x 3/8 MBSP
<b>421-0808ST</b>	1/2 MSAE x 1/2 MBSP



### Capped Line Valve - Flare /MNPT

SKY Part No.	Item Description
<b>422-0404</b>	1/4 MSAE x 1/4 NPT
<b>422-0404-ST</b>	1/4 NPT X 1/4 SAE
<b>422-0606-ST</b>	3/8 NPT X 3/8 SAE



### Capped Line Service Valve - (right angle)

SKY Part No.	Item Description
<b>424-0404</b>	1/4 MSAE X 1/4 SOL



### Transducer valve

SKY Part No.	Connection
<b>460-0204</b>	1/8 NPT x 1/8 FNPT x 1/4 Schrader



### Packed Line Valve (Swivel)

SKY Part No.	Item Description
<b>450-0404</b>	1/4 swivel x 1/4 SAE
<b>450-0606</b>	3/8 swivel x 3/8 SAE
<b>450-0404-ST</b>	1/4 swivel x 1/4 SAE
<b>450-0606-ST</b>	3/8 swivel x 3/8 SAE



# Service Valves Double Plated Steel

## Capped Line Valve - Solder with Access (copper connector)

SKY Part No.	Item Description
435-0404-ST	1/4 ID
435-0606-ST	3/8 ID
435-0808-ST	1/2 ID
435-1010-ST	5/8 ID
435-1414-ST	7/8 ID
435-1818-ST	1 1/8 ID



# Hand or Diaphragm Valves

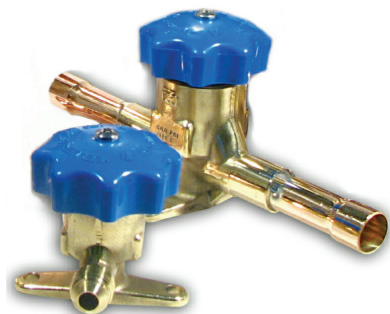
## KEY FEATURES

- Large Port, High Flow.
- Counter seat for Low Temp Applications
- Unique Triple Diaphragm, SST and Bronze
- R-410A compatible 48bar SWP

Manufactured in accordance with ISO/AS 5149.2, UL and CE

## Hand or Diaphragm Valves

SKY Part No.	Item Description
448-04	1/4 Flare x 1/4Flare
448-06	3/8 Flare x 3/8Flare
448-08	1/2 Flare x 1/2Flare
448-10	5/8 Flare x 5/8Flare
449-04	1/4 Sol, Extended End
449-06	3/8 Sol, Extended End
449-08	1/2 Sol, Extended End
449-10	5/8 Sol, Extended End



# Cast Iron Service Valve

## Four Bolt Flange Mount

SKY Part No.	Item Description
438-26	1 5/8 Comp. Valve, Flanged Union, Cast Iron
438-34	2 1/8 Comp. Valve, Flanged Union, Cast Iron
438-42	2 5/8 Comp. Valve, Flanged Union, Cast Iron
438-50	3 1/8 Comp. Valve, Flanged Union, Cast Iron





# Magnetic Check Valve

SKY Part No.	Item Description
439-04	Magnetic Check Valve - 1/4 ID 60 Bar
439-06	Magnetic Check Valve - 3/8 ID 60 Bar
439-08	Magnetic Check Valve - 1/2 ID 60 Bar
439-10	Magnetic Check Valve - 5/8 ID 60 Bar
439-12	Magnetic Check Valve - 3/4 ID 60 Bar
439-14	Magnetic Check Valve - 7/8 ID 60 Bar
439-18	Magnetic Check Valve - 1-1/8 ID 60 Bar
439-22	Magnetic Check Valve - 1-3/8 ID 60 Bar
439-26	Magnetic Check Valve - 1-5/8 ID 60 Bar
439-34	Magnetic Check Valve - 2-1/8 ID 60 Bar
439-42	Magnetic Check Valve - 2-5/8 ID 60 Bar

### KEY FEATURES

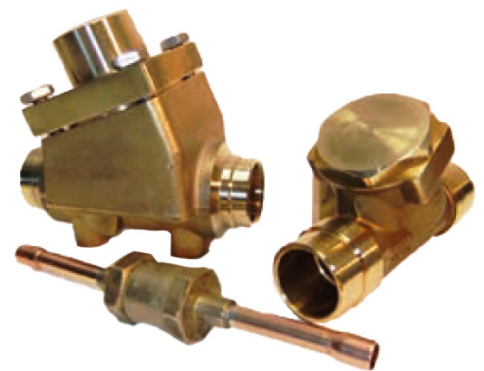
- Engineered for minimal pd and extended service life
- Hermetically sealed body
- Built in strainer
- Rated to 60 bar

Manufactured in accordance with ISO/AS 5149.2 , UL and CE



# Piston Check Valve

SKY Part No.	Item Description
451-04	1/4 OD Check Hermetic CO2 120 Bar
451-06	3/8 OD Check Hermetic CO2 120 Bar
451-08	1/2 OD Check Hermetic CO2 120 Bar
451-10	5/8 OD Check Hermetic CO2 90 Bar
451-12	3/4 OD Check Hermetic CO2 90 Bar
451-14	7/8 OD Check Hermetic CO2 90 Bar
452-14	7/8 4-Bolt Check Valve 60 Bar
452-18	1 1/8 4-Bolt Check Valve 60 Bar
452-22	1 3/8 4-Bolt Check Valve 60 Bar
452-26	1 5/8 4-Bolt Check Valve 60 Bar
452-34	2 1/8 4-Bolt Check Valve 60 Bar
452-42	2 5/8 4-Bolt Check Valve 60 Bar
452-50	3 1/8 4-Bolt Check Valve 60 Bar



# Differential Pressure Springs

SKY Part No.	Item Description
P35656	15-20psi Spring 1 1/8
P35657	10psi Spring 1 3/8 + 1 5/8
P36305	15-20psi Spring 1 3/8 + 1 5/8
P36544	10-15 psi Spring 2 1/8



# Ball Valves (CYCLEMASTER®)

## KEY FEATURES

- Legendary leakproof performance
- Match ported up to 3 1/8"
- Rupture proof stem
- Two Way, Three Way and Motorised options
- MCM™ Seal Technology
- Internally equalized ball design
- CO2 Compliant, 60bar (up to 2 1/8)

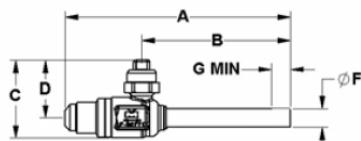
Manufactured in accordance with AS1677.2, UL and CE

3 way and 2 way motorised ball valves available on request



## R-Series Caps

SKY Part No.	Item Description
444-04-10	Fits 1/4 to 5/8
444-12-18	Fits 3/4 to 1 1/8
444-22-26	Fits 1 3/8 to 1 5/8
444-34-42	Fits 2 1/8 to 2 5/8 RP
444-42-50	Fits 2 5/8 to 3 1/8 FP



SKY Part No.	Item Description
444-06	3/8 MSAE x 3/8 Sol

## Ball Valve, Standard (CO2 60 Bar)

SKY Part No.	Item Description
445-04	1/4 Ball Valve Standard
445-06	3/8 Ball Valve Standard
445-08	1/2 Ball Valve Standard
445-10	5/8 Ball Valve Standard
445-12	3/4 Ball Valve Standard
445-14	7/8 Ball Valve Standard
445-18	1 1/8 Ball Valve Standard
445-22	1 3/8 Ball Valve Standard
445-26	1 5/8 Ball Valve Standard
445-34	2 1/8 Ball Valve Standard



## Ball Valve with Access Port and Indicator Cap

SKY Part No.	Item Description
446-04	1/4 Ball Valve with Access Port
446-06	3/8 Ball Valve with Access Port
446-08	1/2 Ball Valve with Access Port
446-10	5/8 Ball Valve with Access Port
446-12	3/4 Ball Valve with Access Port
446-14	7/8 Ball Valve with Access Port
446-18	1 1/8 Ball Valve with Access Port
446-22	1 3/8 Ball Valve with Access Port
446-26	1 5/8 Ball Valve with Access Port
446-34	2 1/8 Ball Valve with Access Port
446-42	2 5/8 Ball Valve with Access Port (Full Flow)
446-50	3 1/8 Ball Valve with Access Port (Full Flow)
448-42	2 5/8 Ball Valve with Access Port
448-52	3 1/8 Ball Valve with Access Port

# Ball Valves 130 Bar

## KEY FEATURES

- Unique 130 Bar schrader core.
- Relief port through ball
- Blow out proof stem
- Two Way, Three Way and Motorised options
- MCM™ Seal Technology
- K130, XHP tubes
- Enlarged brass body

## Genuine 130 Bar compliant UL and CE

SKY Part No.	Item Description	SKY Part No.	Item Description
480-04	1/4 Ball Valve 130 Bar	481-04	1/4 Ball Valve 130 Bar with Access
480-06	3/8 Ball Valve 130 Bar	481-06	3/8 Ball Valve 130 Bar with Access
480-08	1/2 Ball Valve 130 Bar	481-08	1/2 Ball Valve 130 Bar with Access
480-10	5/8 Ball Valve 130 Bar	481-10	5/8 Ball Valve 130 Bar with Access
480-12	3/4 Ball Valve 130 Bar	481-12	3/4 Ball Valve 130 Bar with Access
480-14	7/8 Ball Valve 130 Bar	481-14	7/8 Ball Valve 130 Bar with Access
480-18	1 1/8 Ball Valve 130 Bar	481-18	1 1/8 Ball Valve 130 Bar with Access
480-22	1 3/8 Ball Valve 130 Bar	481-22	1 3/8 Ball Valve 130 Bar with Access
480-26	1 5/8 Ball Valve 130 Bar	481-26	1 5/8 Ball Valve 130 Bar with Access
480-34	2 1/8 Ball Valve 130 Bar	481-34	2 1/8 Ball Valve 130 Bar with Access



# 120Bar R744 CO2 Stainless steel

## KEY FEATURES

### Ball valve Stainless steel tails

- Precision cast stainless steel body
- Full flow and bi-directional
- Explosion proof stem
- Anti-liquid entrapment design

SKY Part No.	Item Description
490-04	DN8mm/ 1/4" Stainless Steel Ball valve
490-06	DN10mm/ 3/8" Stainless Steel Ball valve
490-08	DN15mm/ 1/2" Stainless Steel Ball valve
490-12	DN20mm/ 3/4" Stainless Steel Ball valve
490-16	DN25mm/ 1" Stainless Steel Ball valve
490-20	DN32mm/ 1 1/4" Stainless Steel Ball valve
490-24	DN40mm/ 1 1/2" Stainless Steel Ball valve
490-32	DN50mm/ 2" Stainless Steel Ball valve

### Ball Valve NPT connection

SKY Part No.	Item Description
491-0404	1/4 FNPT x 1/4 MNPT Stainless Steel Ball valve
491-0606	3/8 FNPT x 3/8 MNPT Stainless Steel Ball valve
491-0808	1/2 FNPT x 1/2 MNPT Stainless Steel Ball valve
491-1212	3/4 FNPT x 3/4 MNPT Stainless Steel Ball valve

### Ball Valve Stainless steel tail to 1/4 MSAE

SKY Part No.	Item Description
492-1004	10mm x 1/4 MSAE Stainless Steel Ball valve
492-1204	12mm x 1/4 MSAE Stainless Steel Ball valve



# Sight Glasses

## KEY FEATURES

### Moisture Indicator Sight Glass

- Liquid indicator optimised for R744
- Billet Stainless steel body
- Removable sight glass for welding and brazing

SKY Part No.	Item Description
493-06	DN10mm/ 3/8" Stainless Steel Ball valve
493-08	DN15mm/ 1/2" Stainless Steel Ball valve

### Oil Return Sight Glass

SKY Part No.	Item Description
494-06	DN10mm/ 3/8" Stainless Steel sight glass



# Liquid & Moisture Indicating Sight Glass

## KEY FEATURES

- Fast and Accurate Tri-Range Moisture Indicator
  - Wide viewing angle
  - Solid Copper connectors for ease of installation
  - Hermetically Sealed
  - R-410A compatible, 48bar SWP
- Manufactured in accordance with ISO/AS 5149.2

### Sight Glass Solder Connection

SKY Part No.	Item Description	Lay-in Length
605-0404	1/4" Sol	132
605-0606	3/8" Sol	132
605-0808	1/2" Sol	132
605-1010	5/8" Sol	132
605-1212	3/4 Sol	145



### Sight Glass Male Flare x Female Flare

SKY Part No.	Item Description	Lay-in Length
603-0404	1/4"	62mm
603-0606	3/8"	76mm
603-0808	1/2"	72mm



### Sight Glass Flare

SKY Part No.	Item Description	Lay-in Length
600-0404	1/4" Flare	70mm
600-0606	3/8" Flare	76mm
600-0808	1/2" Flare	83mm
600-1010	5/8" Flare	88mm



### Liquid Level Switch

SKY Part No.	Connection	Voltage	Contact	Amp	Fluid temp
LS-24 J	1/2 NPT	24VAC	N/C	0.25	0 to 90°C
LS-240 J	1/2 NPT	240V	N/C	0.25	0 to 90°C
LS-240A J	1/2 NPT	240V	N/O	0.25	0 to 90°C



- Hermetically sealed with non invasive servicing
- 6900Kpa safe working pressure

SKY Part No.	Connection	Voltage	Contact	Amp	Fluid temp
LS-LC2	1 1/14 R/L	24V	N/C & N/O	5A	-10

- Both NO and NC contacts
- Able to retrofit to any R/L sight glass socket

SKY Part No.	Connection	Voltage	Contact	Amp	Fluid temp
LS-ADA-24	1/2 NPT	240V	N/C & N/O	2A	-30



### Copper Body Single Glass



SKY Part No.	Item Description	Lay-in Length
607-1414	Copper Body - 7/8" Sol	160
607-1818	Copper Body - 1 1/8" Sol	160
607-2222	Copper Body - 1 3/8" Sol	200
607-2626	Copper Body - 1 5/8" Sol	200
607-3434	Copper Body - 2 1/8" Sol	200

### Sight Glass Male Flare x Female Flare Swivel



SKY Part No.	Item Description	Lay-in Length
608-0404	1/4"	82mm
608-0606	3/8"	87mm
608-0808	1/2"	94mm
608-1010	5/8"	105mm
612-0406	1/4 MSAE x 3/8 Sol	140mm
612-0606	3/8 MSAE x 3/8 Sol	140mm

### Additional Sight Glasses



SKY Part No.	Item Description
608-20B	1-1/4 Rotalock Sight Glass with indicator ball
608-21	1-1/4 Rotalock Sight Glass
608-21 K	1-1/4 Rotalock Sight Glass c/w weld socket
610-12	3/4 NPT Fused Glass
610-24	1 1/2 NPT Fused Glass
611-14	Sight Glass Assembly 7/8 to 1 1/8 tube
CO2	
608-20B FS	1 1/4 Rotalock Sightglass with Frost Shield



# Pressure Relief Valve

## 3/8" MNPT X 1/2" MSAE

SKY Part No.	Item Description
<b>474-235</b>	3/8 NPT x 1/2 FI PRV, Straight 235psi/1620kpa
<b>474-300</b>	3/8 NPT x 1/2 FI PRV, Straight 300psi/2070kpa
<b>474-350</b>	3/8 NPT x 1/2 FI PRV, Straight 350psi/2410kpa
<b>474-400</b>	3/8 NPT x 1/2 FI PRV, Straight 400psi/2760kpa
<b>474-425</b>	3/8 NPT x 1/2 FI PRV, Straight 425psi/2930kpa
<b>474-450</b>	3/8 NPT x 1/2 FI PRV, Straight 450psi/3100kpa
<b>474-600</b>	3/8 NPT x 1/2 FI PRV, Straight 600psi/4136kpa

## 1/2" MNPT X 5/8" MSAE

SKY Part No.	Item Description
<b>475-190</b>	1/2 NPT x 5/8 FI Straight Thru PTRV 190psi/1310kpa
<b>475-235</b>	1/2 NPT x 5/8 FI Straight Thru PRV 235psi/1620kpa
<b>475-300</b>	1/2 NPT x 5/8 FI Straight Thru PRV 300psi/2070kpa
<b>475-350</b>	1/2 NPT x 5/8 FI Straight Thru PRV 350psi/2410kpa
<b>475-400</b>	1/2 NPT x 5/8 FI Straight Thru PRV 400psi/2760kpa
<b>475-425</b>	1/2 NPT x 5/8 FI Straight Thru PRV 425psi/2930kpa
<b>475-450</b>	1/2 NPT x 5/8 FI Straight Thru PRV 450psi/3100kpa
<b>475-575</b>	1/2 NPT x 5/8 FI Straight Thru PRV 575psi/4000kpa
<b>475-600</b>	1/2 NPT x 5/8 FI Straight Thru PRV 600psi/4136kpa



## 3/4" MNPT X 3/4" MSAE

SKY Part No.	Item Description
<b>476-190</b>	3/4 NPT x 3/4 FPT PRV, Straight 190psi High Flow
<b>476-235</b>	3/4 NPT x 3/4 FPT PRV, Straight 235psi/1620kpa
<b>476-300</b>	3/4 NPT x 3/4 FPT PRV, Straight 300psi/2070kpa
<b>476-350</b>	3/4 NPT x 3/4 FPT PRV, Straight 350psi/2410kpa
<b>476-400</b>	3/4 NPT x 3/4 FPT PRV, Straight 400psi/2760kpa
<b>476-425</b>	3/4 NPT x 3/4 FPT PRV, Straight 425psi/2930kpa
<b>476-450</b>	3/4 NPT x 3/4 FPT PRV, Straight 450psi/3100kpa

## 1" MNPT X 1" MSAE

SKY Part No.	Item Description
<b>477-190</b>	1" NPTF x 1" NPTFI PRV, Straight 190psi High Flow
<b>477-300</b>	1" NPTF x 1" NPTFI PRV, Straight 300psi/2070kpa
<b>477-350</b>	1" NPTF x 1" NPTFI PRV, Straight 350psi/2410kpa
<b>477-400</b>	1" NPTF x 1" NPTFI PRV, Straight 400psi/2760kpa
<b>477-425</b>	1" NPTF x 1" NPTFI PRV, Straight 425psi/2930kpa
<b>477-450</b>	1" NPTF x 1" NPTFI PRV, Straight 450psi/3100kpa

# Pressure Relief Valves CO2

SKY Part No.	Item Description
<b>470-D10/CS-40 Bar</b>	PRV CO2 1/2 NPT 40 Bar
<b>470-D10/CS-60 Bar</b>	PRV CO2 1/2 NPT 60 Bar
<b>470-E10/LS-60</b>	1/2 NPT x 3/4 MBSPP 60 Bar
<b>470-E10/LS-80</b>	1/2 NPT x 3/4 MBSPP 80 Bar
<b>470-E10/LS-120</b>	1/2 NPT x 3/4 MBSPP 120 Bar
<b>470-E10/LS-130</b>	1/2 NPT x 1 1/4 MBSPP 130 Bar
<b>470-G14/S-12-30 Bar</b>	PRV CO2 3/4 NPT 30 Bar
<b>470-G20/S-35 Bar</b>	PRV CO2 1" NPT 35 Bar
<b>470-G20/CS-45 Bar</b>	PRV CO2 1" NPT 45 Bar
<b>470-G20/S-50 Bar</b>	PRV CO2 1" NPT 50 Bar





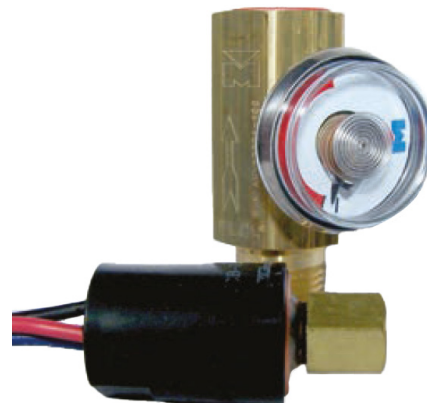
# Rupture Disc

## KEY FEATURES

- Designed for use on liquid receivers above the liquid line
- Compatible with all fluorinated refrigerants
- High Discharge Capacity
- Individually tested and hand calibrated.

AS Compliant, Certified by CE, NB, ASME Code 15, RoHS.

SKY Part No.	Item Description
<b>A17971-235</b>	1/2 RUPTURE DISC, 235psi/1620kpa
<b>A17971-300</b>	1/2 RUPTURE DISC, 300psi/2070kpa
<b>A17971-350</b>	1/2 RUPTURE DISC, 350psi/2410kpa
<b>A17971-400</b>	1/2 RUPTURE DISC, 400psi/2760kpa
<b>A17971-425</b>	1/2 RUPTURE DISC, 425psi/2930kpa
<b>A17971-450</b>	1/2 RUPTURE DISC, 450psi/3100kpa
<b>BD-switch</b>	SPST Switch 4psi, ( Break on Pd)
<b>P36214</b>	Gauge /Rupture Disc



# PRV Assembly Kits

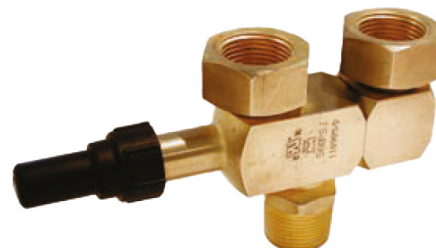
Manifold with 2 x PRV, 2 x BD, 2 x Gauge, 2 x Switch

SKY Part No.	Item Description
<b>SH-1012-350</b>	Pressure relief 350psi/300psi Burst disc
<b>SH-1012-425</b>	Pressure relief 425psi/400psi Burst disc
<b>SH-1012-450</b>	Pressure relief 450psi/425psi Burst disc



# PRV Manifold (RELIEFMASTER®)

SKY Part No.	Item Description
<b>473-08</b>	1/2" ReliefMaster® Change-Over Manifold
<b>473-08XHP</b>	1/2" CO2 Ball Valve Change-Over Manifold 120bar
<b>473-12</b>	3/4" ReliefMaster® Change-Over Manifold
<b>473-16</b>	1" ReliefMaster® Change-Over Manifold



# Solenoid Valves (A1 and A2 compatible)

## KEY FEATURES

- Suitable for HCFC, HFC and A2L refrigerants
- Wide operating range of -40° - 105°C
- High maximum operating Pd to 31bar
- Din plug connection
- Certified UL, VDE, CQC
- SWP 43bar

### Solder Solenoid Valves

SKY Part No.	Item Description	Length mm	Height mm	CV	Liquid Kw R-134A	R-407c	R-404a
<b>705-04</b>	1/4" SOL SOLENOID VALVE	102	82	0.32	5	5.4	3.8
<b>705-06</b>	3/8" SOL SOLENOID VALVE	111	88	0.93	14.8	16.1	11.2
<b>705-08</b>	1/2" SOL SOLENOID VALVE	127	95	2.2	35.3	38.2	26.7
<b>705-10</b>	5/8" SOL SOLENOID VALVE	176	100	3	48.3	52.3	36.5
<b>705-14</b>	7/8" SOL SOLENOID VALVE	191	117	5.8	48.3	52.3	36.5
<b>705-18</b>	1 1/8" SOL SOLENOID VALVE	191	117	6.9	92	94	70
<b>705-22</b>	1 3/8" SOL SOLENOID VALVE	280	144	10	196	152	197
<b>705-26</b>	1 5/8" SOL SOLENOID VALVE	281	144	15	297	302	225
<b>705-34</b>	2 1/8" SOL SOLENOID VALVE	281	152	25	468	472	531



### Flare Solenoid Valves

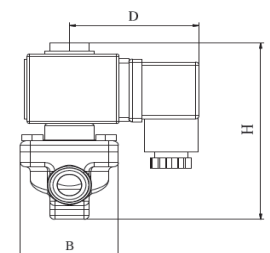
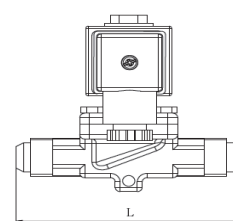
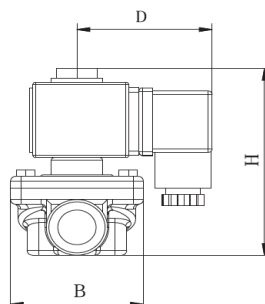
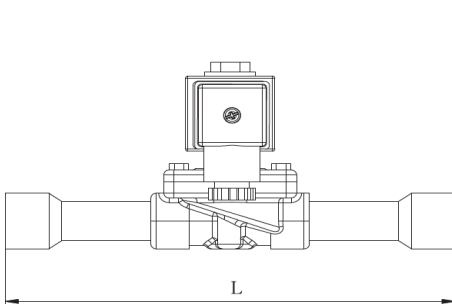
SKY Part No.	Item Description	Length mm	Height mm	CV	Liquid Kw R-134A	R-407c	R-404a
<b>706-04</b>	1/4" MF SOLENOID VALVE	59	82	0.32	5	5.4	3.8
<b>706-06</b>	3/8" MF SOLENOID VALVE	69	88	0.93	14.8	16.1	11.2
<b>706-08</b>	1/2" MF SOLENOID VALVE	92	96	2.2	35.3	38.2	26.7
<b>706-10</b>	5/8" MF SOLENOID VALVE	104	104	3	48.3	52.3	36.5

### Solenoid Valve Coils

SKY Part No.	Item Description	Frequency Hz	IP Rating
<b>707-240</b>	AC 240V SOLENOID COIL	50/60	65
<b>707-110</b>	AC 110V SOLENOID COIL	50/60	65
<b>707-24</b>	AC 24V SOLENOID COIL	50/60	65

### Solenoid Magnet

SKY Part No.	Item Description
<b>710-1</b>	Solenoid Magnet

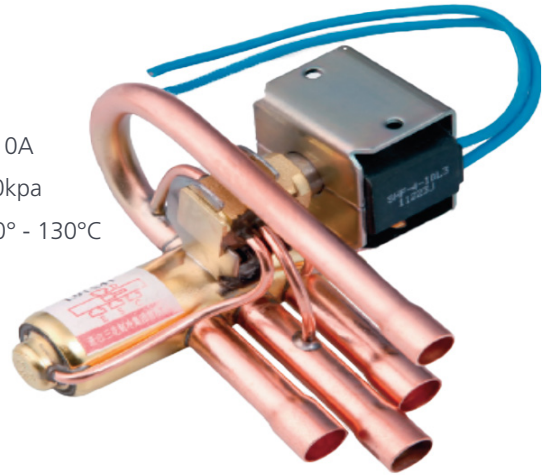


# Reversing Valves (A1 and A2L compatible)

SKY Part No.	Capacity R410a		Connections	
	Kw	Tons	D	E/S/C
<b>708-0506-U</b>	4.5	1.25	5/16	3/8
<b>708-0608-U</b>	8.5	2	3/8	1/2
<b>708-0610-U</b>	9.6	2.5	3/8	5/8
<b>708-0810-20</b>	12.2	3.1	1/2	5/8
<b>708-0812-20</b>	21.2	5.6	1/2	3/4
<b>708-0814-20</b>	21.2	5.6	1/2	7/8
<b>708-1014-20</b>	21.2	5.6	5/8	7/8
<b>708-0814-35</b>	37.3	10	1/2	7/8
<b>708-1214-35</b>	37.3	10	3/4	7/8
<b>708-1218-35</b>	37.3	10	3/4	1 1/8
<b>708-1418-35</b>	37.3	10	7/8	1 1/8
<b>708-1822-50</b>	49.8	12	1 1/8	1 3/8

## KEY FEATURES

- Developed for use with R-410A
- Safe working pressure 4,200kpa
- Wide operating range of -30° - 130°C
- Certified UL ,VDE, CQC

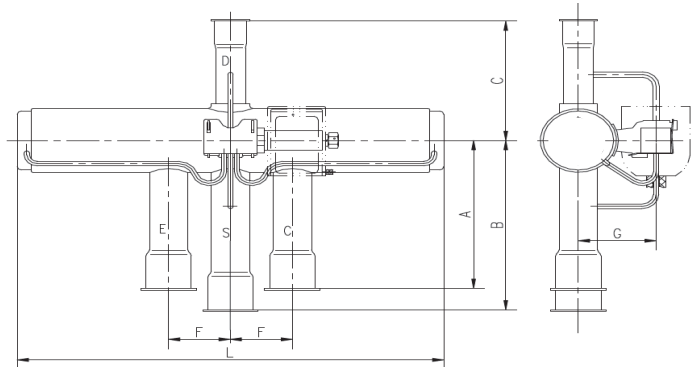
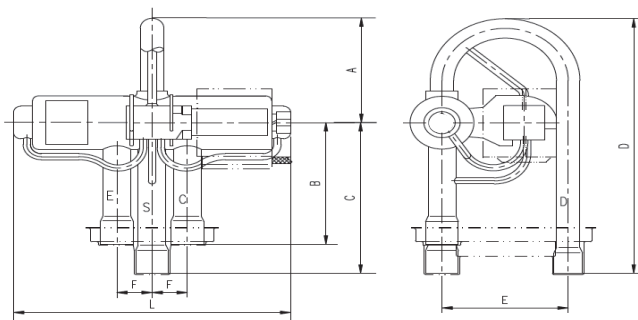


## Reversing Valve Coils

SKY Part No.	Voltage	Connection
<b>709-240-S</b>	240V AC	Spade
<b>709-110-S</b>	110V AC	Spade
<b>709-24-S</b>	24V AC	Spade
<b>709-240-L</b>	240V AC	Lead Wire
<b>709-110-L</b>	110V AC	Lead Wire
<b>709-24-L</b>	24V AC	Lead Wire

## Competitor cross reference

SKY Part No.	RAN	SAN	SAG
<b>708-0506-U</b>		SHF-4H-23U-P	STF-0101G
<b>708-0608-U</b>	V2-408064-2IL	SHF-7H-34U-P	STF-0202G
<b>708-0610-U</b>		SHF-9H-35U-P	STF-0301G
<b>708-0810-20</b>	V3-410084-7IL	SHF-11H-45D1	STF-0310G
<b>708-0812-20</b>	V6-412084-1IL	SHF-20A-46	STF-0408G
<b>708-0814-20</b>	V6-414084-1IL	SHF-20A-47	STF-0409G
<b>708-1214-35</b>	V10-414124-2IL	SHF-35A-67	STF-0101G
<b>708-1418-35</b>	V10-418144-2IL	SHF-35A-79	STF-00720G
<b>708-1822-50</b>	V124-220-T4210	SHF-50-911D2	
<b>709-240-S</b>	LDL-41	SHF-4-10FA5	
<b>709-24-S</b>	LDL-41	SHF-4-10FA4	



# SKYREFLEX® Flexible hose solutions

## KEY FEATURES

- UV Stabilised With High Elasticity
- Low Permeation Rate in Accordance With EN1736 and EN378
- Compatible With Common Refrigerant and Oil Combinations
- CO2 Compliant , 53 bar SWP

Manufactured in accordance with ISO/AS 5149.2



## Made Hose Assemblies

SKY Part No.	Connections	Hose ID	Length
902-06-SE-44	1/4 FSAE Straight x 1/4 FSAE 90° Elbow	2mm	600
902-09-EE-44	1/4 FSAE 90° Elbow x 1/4 FSAE 90° Elbow	2mm	900
902-12-EE-44	1/4 FSAE 90° Elbow x 1/4 FSAE 90° Elbow	2mm	1200
902-12-SS-44	1/4 FSAE Straight x 1/4 FSAE Straight	2mm	1200
904-06-SE-66	3/8 FSAE Straight x 3/8 FSAE 90° Elbow	4mm	600
904-09-EE-44	1/4 FSAE 90° Elbow x 1/4 FSAE 90° Elbow	4mm	900
904-09-SE-44	1/4 FSAE Straight x 1/4 FSAE 90° Elbow	4mm	900
904-09-SE-66	3/8 FSAE Straight x 3/8 FSAE 90° Elbow	4mm	900
904-12-SE-44	1/4 FSAE 90° Elbow x 1/4 FSAE 90° Straight	4mm	1200
904-12-EE-44	1/4 FSAE 90° Elbow x 1/4 FSAE 90° Elbow	4mm	1200
904-12-SE-66	3/8 FSAE Straight x 3/8 FSAE 90° Elbow	4mm	1200
904-12-SS-44	1/4 FSAE Straight x 1/4 FSAE Straight	4mm	1200
902-04-DEP	Schrader depressor to fit all sizes		

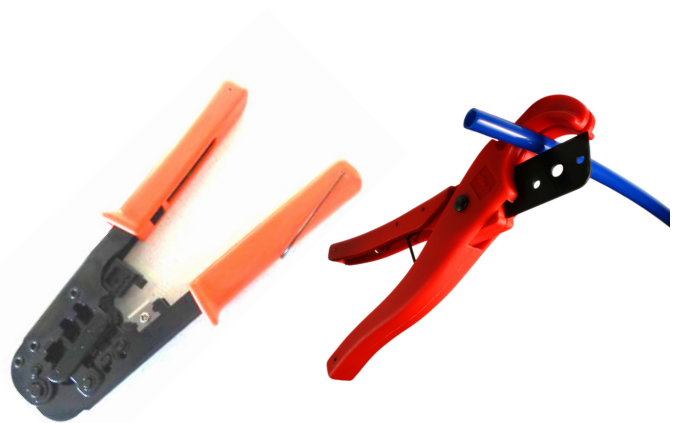
## Field Assembly Kits (Including Nuts, Tail, Crimps and Cu Washers)

SKY Part No.	Description
903-2001	2mm/ 1/4 Straight fitting kit
903-2002	2mm/ 1/4 Straight fitting kit with depressor
903-2003	2mm/ 1/4 Elbow fitting kit
903-2004	2mm T fitting kit
903-2005	2mm/ 1/4 T with nut on branch fitting kit
903-4002	4mm/ 1/4 Straight fitting kit
903-4003	4mm/ 1/4 Straight fitting kit with depressor
903-4004	4mm/ 1/4 Elbow fitting kit
903-4006	4mm/ 1/4 T with nut on branch fitting kit
903-4008	4mm/ 3/8 Straight fitting kit
903-4009	4mm/ 3/8 Elbow fitting kit
905-2RD-5	SKYREFLEX 2mm Thermoplastic Hose 5 meters (Red)
905-2RD-20	SKYREFLEX 2mm Thermoplastic Hose 20 meters (Red)
905-2RD-100	SKYREFLEX 2mm Thermoplastic Hose 100 meters (Red)
905-4BK-5	SKYREFLEX 4mm Thermoplastic Hose 5 meters (Black)
905-4BK-20	SKYREFLEX 4mm Thermoplastic Hose 20 meters (Black)
905-4BK-100	SKYREFLEX 4mm Thermoplastic Hose 100 meters (Black)



### Tools

SKY Part No.	Description
<b>901-Crimper 2</b>	Hand crimper - Suits fittings & accessories for 2mm ID Capillary Hose
<b>901-Crimper 4</b>	Hydraulic crimping tool to suit 4mm ID Capillary Hose
<b>901 Cutter</b>	Flexible tube cutter



### SKYREFLEX Vibration Eliminator

SKY Part No.	Description	Swp Bar
<b>910-06</b>	3/8 ID Vibration Eliminator SST with Cu Tails	44.8
<b>910-08</b>	1/2 ID Vibration Eliminator SST with Cu Tails	44.8
<b>910-10</b>	5/8 ID Vibration Eliminator SST with Cu Tails	44.8
<b>910-12</b>	3/4 ID Vibration Eliminator SST with Cu Tails	44.8
<b>910-14</b>	7/8 ID Vibration Eliminator SST with Cu Tails	44.8
<b>910-18</b>	1 1/8 ID Vibration Eliminator SST with Cu Tails	44.8
<b>910-22</b>	1 3/8 ID Vibration Eliminator SST with Cu Tails	44.8
<b>910-26</b>	1 5/8 ID Vibration Eliminator SST with Cu Tails	38
<b>910-34</b>	2 1/8 ID Vibration Eliminator SST with Cu Tails	35
<b>910-42</b>	2 5/8 ID Vibration Eliminator SST with Cu Tails	27.5
<b>910-50</b>	3 1/8 ID Vibration Eliminator SST with Cu Tails	24.1

#### KEY FEATURES

- High Grade Stainless Steel Internal Tube
- Solid Copper Connectors
- Crimped Outer Support Sleeve For Increased Durability

Manufactured in accordance with ISO/AS 5149.2, CE, UL



### Encapsulated Pressure Switches

SKY Part No.	Description	Connection	Rating
High pressure cut out			
<b>720-650-500</b>	HP 650psi cut out - 500psi cut in	Lead-wire	240V 10A
<b>720-425-325</b>	HP 425psi cut out - 325psi cut in	Lead-wire	240V 10A
<b>720-300-200</b>	HP 300psi cut out - 200psi cut in	Lead-wire	240V 10A
Fan control			
<b>720-160-130</b>	Fan 160psi cut in - 130psi cut out	Lead-wire	240V 10A
<b>720-275-250</b>	Fan 275psi cut in - 250psi cut out	Lead-wire	240V 10A
<b>720-250-170</b>	Fan 250psi cut in - 170psi cut out	Lead-wire	240V 10A
<b>720-220-150</b>	Fan 250psi cut in - 150psi cut out	Lead-wire	240V 10A
Low pressure cut out			
<b>720-5-25</b>	LP 25psi cut in - 5psi cut out	Lead-wire	240V 10A
<b>720-35-60</b>	LP 60psi cut in - 35psi cut out	Lead-wire	240V 10A





# SKY Mechanical Thermostatic Expansion Valves

## TI Series

### KEY FEATURES

- Nominal capacity (R134a) 0.4 to 10.5kw
- Solid Copper Bulb, Faster and more stable Superheat Control
- Cross Charge Technology, more consistent control over a wider range
- Adjustable Superheat
- With or without external equalisation
- Bi-Flow With Interchangeable Orifice
- Certified UL, CSA, PED Compliant AS1677.2



Flare	Solder	Refrigerant	Equaliser	Range	Inlet Flare	Outlet
<b>440-TIX</b>	441-TIX	R22	Internal	-40 to +10	3/8	1/2
<b>440-TIEX</b>	441-TIEX	R22	1/4MSAE	-40 to +10	3/8	1/2
<b>440-TIS</b>	441-TIS	R404	Internal	-40 to +10	3/8	1/2
<b>440-TIES</b>	441-TIES	R404	1/4MSAE	-40 to +10	3/8	1/2
<b>440-TIN</b>	441-TIN	R134a	Internal	-40 to +10	3/8	1/2
<b>440-TIEN</b>	441-TIEN	R134a	1/4MSAE	-40 to +10	3/8	1/2
<b>440-TIL</b>	441-TIL	R410A	Internal	-40 to +10	3/8	1/2
<b>440-TIEL</b>	441-TIEL	R410A	1/4MSAE	-40 to +10	3/8	1/2
<b>440-TIK</b>	441-TIK	R448A/449A	Internal	-40 to +10	3/8	1/2
<b>440-TIEK</b>	441-TIEK	R448A/449A	1/4MSAE	-40 to +10	3/8	1/2

SKY Orifices		R22 kW	R404 Kw	R134a kW	R410A kW	R448A kW
<b>440-0X</b>	0X ORIFICE	0.9	0.65	0.68	1.05	0.87
<b>440-00</b>	0 ORIFICE	1.78	1.3	1.2	2.08	1.67
<b>440-01</b>	1 ORIFICE	3.48	2.64	2.08	4.07	3.43
<b>440-02</b>	2 ORIFICE	4.72	3.7	2.55	5.52	4.6
<b>440-03</b>	3 ORIFICE	8.01	6.29	4.3	9.37	7.92
<b>440-04</b>	4 ORIFICE	12.2	9.97	6.4	14.27	12.05
<b>440-05</b>	5 ORIFICE	16.67	13.1	8.43	19.66	15.07
<b>440-06</b>	6 ORIFICE	19.7	15.6	10.1	23.05	19.05

\*Nominal working conditions: Cond 38°C, Evap 4°C, Sub-cooling 1K, Superheat 4K



**TCC Series**
**KEY FEATURES**

- Nominal Capacity (R410A) 7 to 24.5kw
- Solid Copper Bulb, Faster and more stable Superheat Control
- Cross Charge Technology, more consistent control over a wider range
- Adjustable superheat
- MOP and other customisation available
- Certified UL, CSA, PED Compliant AS1677.2

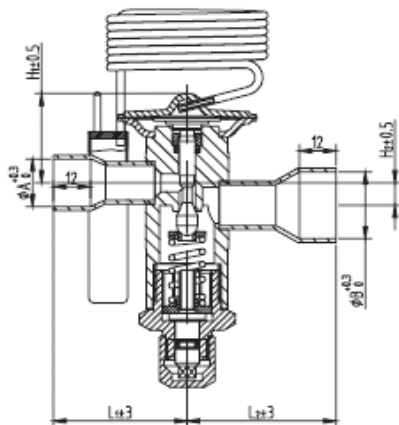


R410A	kW/TR	Connection	R22/R407C	kW/TR	Connection
<b>443-TCCEL-2</b>	7/2.1	3/8x1/2	<b>443-TCCEX-1.6</b>	5.6/1.6	3/8x1/2
<b>443-TCCEL-2.5</b>	8.8/2.5	3/8x1/2	<b>443-TCCEX2.1</b>	7.4/2.1	3/8x1/2
<b>443-TCCEL-3</b>	10.5/3	3/8x1/2	<b>443-TCCEX2.5</b>	8.8/2.5	3/8x1/2
<b>443-TCCEL-3.5</b>	12.3/3.5	3/8x1/2	<b>443-TCCEX-2.9</b>	10.2/2.9	3/8x1/2
<b>443-TCCEL-4</b>	14/4.1	5/8x5/8	<b>443-TCCEX-3.3</b>	11.5/3.3	5/8x5/8
<b>443-TCCEL-5</b>	17.5/5.1	5/8x5/8	<b>443-TCCEX-4.1</b>	14.4/4.1	5/8x5/8
<b>443-TCCEL-6</b>	21/6.1	5/8x5/8	<b>443-TCCEX-4.9</b>	17.2/4.9	5/8x5/8
<b>443-TCCEL-7</b>	24.5/7.1	5/8x5/8	<b>443-TCCEX-5.8</b>	20.3/5.8	5/8x5/8

\*Nominal working conditions: Cond 38°C, Evap 4°C, Sub-cooling 1K, Superheat 4K

**TC Series (Bi-Flow - fixed orifice)**
**KEY FEATURES**

- Nominal Capacity ( R410A) 12 to 79kw
- Solid Copper Bulb, Faster and more stable Superheat Control
- Cross Charge Technology, more consistent control over a wider range
- Adjustable superheat
- Bi-Flow balance port technology
- MOP and other customisation available
- Certified UL, CSA, PED Compliant AS1677.2



R410A	kW/TR	Connection
<b>442-TCCEL-3.5</b>	12/3.5	1/2x5/8
<b>442-TCCEL-4.5</b>	16/4.5	1/2x5/8
<b>442-TCCEL-6.5</b>	24/6.5	5/8x7/8
<b>442-TCCEL-9</b>	32/9	5/8x7/8
<b>442-TCCEL-11</b>	37/11	5/8x7/8
<b>442-TCCEL-13</b>	45/13	5/8x7/8
<b>442-TCCEL-15</b>	54/15	5/8x7/8
<b>442-TCCEL-19</b>	68/19	7/8x1 1/8
<b>442-TCCEL-23</b>	79/23	7/8x1 1/8

R22/R407C	kW/TR	Connection
<b>442-TCCEX-3.5</b>	10/3.5	1/2x5/8
<b>442-TCCEX-4.5</b>	14/4	1/2x5/8
<b>442-TCCEX-6.5</b>	20/6	5/8x7/8
<b>442-TCCEX-9</b>	27/7.5	5/8x7/8
<b>442-TCCEX-11</b>	32/9	5/8x7/8
<b>442-TCCEX-13</b>	38/11	5/8x7/8
<b>442-TCCEX-15</b>	43/12	5/8x7/8
<b>442-TCCEX-19</b>	54/15	7/8x1 1/8
<b>442-TCCEX-23</b>	63/18	7/8x1 1/8

R32/R454B	kW/TR	Connection
<b>442-TCCEB-5</b>	18/5	1/2x5/8
<b>442-TCCEB-7</b>	24/7	1/2x5/8
<b>442-TCCEB-10</b>	35/10	5/8x7/8
<b>442-TCCEL-13</b>	47/13	5/8x7/8
<b>442-TCCEB-15</b>	54/15	5/8x7/8
<b>442-TCCEB-19</b>	68/19	5/8x7/8
<b>442-TCCEB-23</b>	81/23	5/8x7/8

R404/R507	kW/TR	Connection
<b>442-TCES-2</b>	7/2	1/2x5/8
<b>442-TCES-2.5</b>	9/2.5	1/2x5/8
<b>442-TCES-4</b>	14/4	5/8x7/8
<b>442-TCES-5</b>	18/5	5/8x7/8
<b>442-TCES-6</b>	21/6	5/8x7/8
<b>442-TCES-7.5</b>	26/7.5	5/8x7/8
<b>442-TCES-9</b>	31/9	5/8x7/8
<b>442-TCES-11</b>	39/11	7/8x1 1/8
<b>442-TCES-13</b>	45/13	7/8x1 1/8

\*Nominal working conditions: Cond 38°C, Evap 4°C, Sub-cooling 1K, Superheat 4K

# Electronic Expansion Valves

## KEY FEATURES

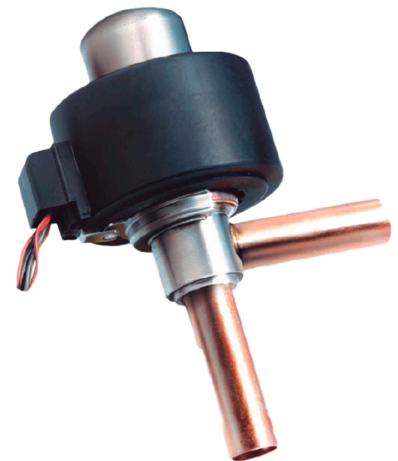
### Electronic Superheat Control

- Energy Efficient Expansion / Superheat Control
- Single and Bi-Directional Control (Refrigeration and/or Heatpump)
- Multiple Input Functions, Comp, Rev Valve, Defrost
- Multi Refrigerant (R410a, R407c, R404a, R134a, R290)
- Minimum Stable Superheat Function
- Inbuilt Diagnostics

Certified UL, CSA, PED Compliant ISO/AS 5149.2

### Electronic Superheat Controller

SKY Part No.	Description
700-05	SKY Superheat controller
700-06	Temp probe SKY 700-05
700-07	Pressure Transmitter SKY 700-05
700-08	Enable cable SKY 700-05
700-09	Transformer SKY 700-05
700-10	SKY 700-05 Superheat controller kit (PO/Temp)
700-11	Aux control cable
700-14	Power cable



### Electronic Expansion Valves

SKY Part No.	Connections	R410a	R22/407C	R404	R134a
702-013	2-series EEV valve 1.3 orifice 4.2kw R410A	4.2	3.5	2.5	2.7
702-016	2-series EEV valve 1.65 orifice 6.4kw R410A	6.4	5.3	3.7	4.1
702-018	2-series EEV valve 1.8 orifice 8.4kw R410A	8.4	7	4.9	5.4
702-020	2-series EEV valve 2 orifice 10.5kw R410A	10.5	8.8	6.1	6.7
702-024	2-series EEV valve 2.4 orifice 21kw R410A	21	18	12.3	13.5
702-028	2-series EEV valve 3 orifice 25.5kw R410A	25.5	21	14.7	16.2
702-032	2-series EEV valve 3.2 orifice 33.6kw R410A	33.6	28	19.5	21.6
703-040	3-series EEV valve 4 orifice 50.4kw R410A	50.4	42	29.4	32.2
703-045	3-series EEV valve 4.5 orifice 63kw R410A	63	53	36.8	40.4
703-055	3-series EEV valve 5.5 orifice 84kw R410A	84	70	49	53.9
703-065	3-series EEV valve 6.5 orifice 126kw R410A	126	105	73.5	80.9

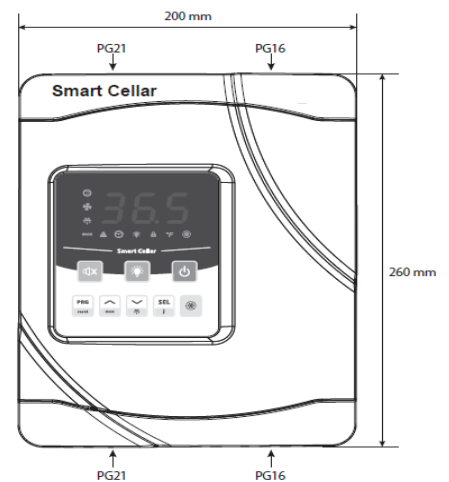
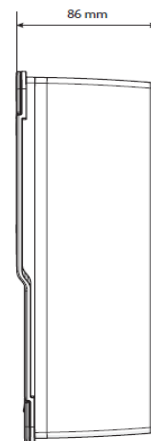
### Electronic Expansion Valve Coils

SKY Part No.	Description
704-02	Coil to suit 2 series EEV
704-03	Coil to suit 3 series EEV



# Cool Room Controller

		SKY Part No.	
Dimensions		200(W) x 260(H) x 86(D)	
Power Supply		100 - 240Vac, 50/60Hz	
Power consumption		MAX 12VA	
Display		FND, LED	
Wiring		Screw terminal block (AWG No. 12-28)	
		<b>701-01</b> Med Temp	<b>701-02</b> Low Temp
Output	Compressor	16A	16A
	Evaporative Fan	-	10A
	Defrost	-	10A
	Auxiliary 1	10A	10A
	Auxiliary 2	16A	16A
Input	Storage Temperature	●	●
	Defrost Temperature	●	●
	Digital 3 / Temperature	●	●
	Digital 4 / Temperature	●	●
	Digital 5 / Temperature	●	●
Function	Buzzer	●	●
	Programming Key	●	●
	Real time clock	-	●
Communication		RS485 (Modbus RTU)	
IP rating		IP65	
Operation		Temperature -10 ~ 50 °C / Humidity less than 90%	
Storage		Temperature -10 ~ 50 °C / Humidity less than 90%	



## Accessories

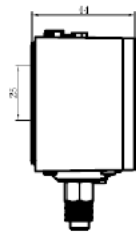
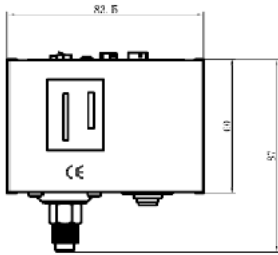
SKY Part No.	Description	Type	Range	Accuracy
<b>701-013</b>	Temperature sensor	NTC 5KQ at 25°C	-50 ~ 105°C	±0.3°C at 25°C



# Mechanical Pressure Controls

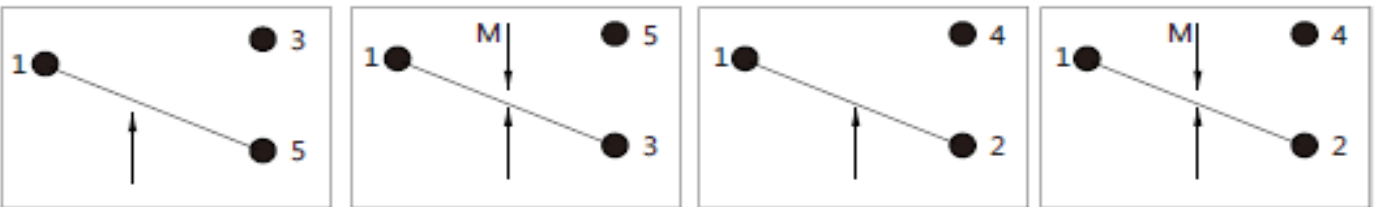
**Ratings**

Full Load A	240v - 10A
Locked Rotor A	240v - 72A



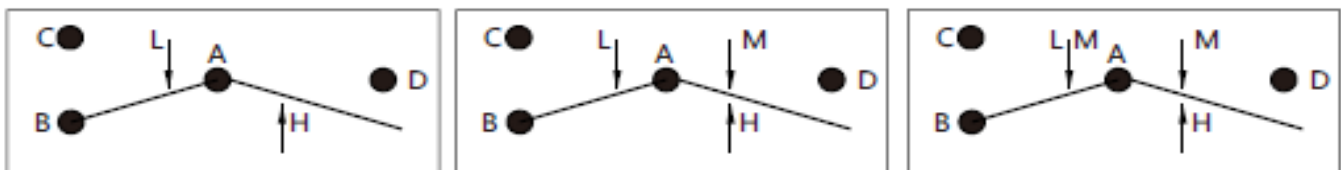
**Single pressure controls**

SKY Part No.	Range	Range Bar	Differential Bar	SWP Bar
<b>721-SP06</b>	1/4 MSAE Single pressure control auto reset LP	0 - 6	0.6 - 4	16.5
<b>721-SP06-M</b>	1/4 MSAE Single pressure control manual reset LP	0 - 6	Man reset 1Bar	16.5
<b>721-SP30-D</b>	1/4 MSAE Single pressure control auto reset Fan Cycle	5.0 - 30	3.1 - 10	35
<b>721-SP32-M</b>	1/4 MSAE Single pressure control manual reset HP	8.0 - 30	Man reset 4Bar	35
<b>721-SP42-410A</b>	1/4 MSAE Single pressure control auto reset Fan Cycle R410A	8.0 - 42	4.1 - 10	46.5



**Dual Pressure Controls**

SKY Part No.	Range	Range Bar	Differential Bar	SWP Bar
<b>721-DP32</b>	1/4 MSAE Dual pressure control auto reset	Low -0.2 - 7.5	0.7 - 4	20
		High 8 - 32	Fixed 4	35
<b>721-DP32-HLM</b>	1/4 MSAE Dual pressure control manual reset on both	Low -0.2 - 7.5	0.7 - 4	20
		High 8 - 32	Fixed 4	35
<b>721-DP32-HM</b>	1/4 MSAE Dual pressure control manual reset on high	Low -0.2 - 7.5	Fixed 4	20
		High 8 - 32	Fixed 4	35





# Pressure Controls

## DPX100 Step Controller HP condenser fans or LP compressors

### KEY FEATURES

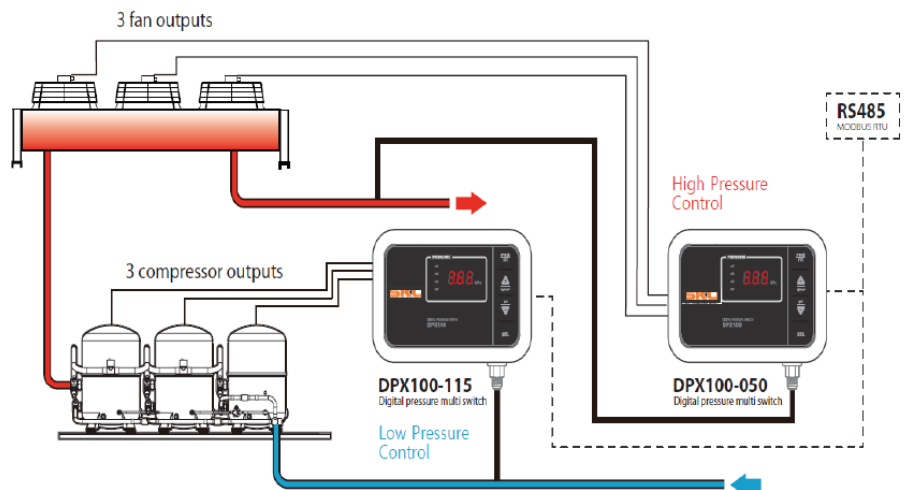
- Balanced rotational selection
- Adjustable delay time on steps
- Pressure display
- Saturated temperature display
- Adjustable set points and differentials
- Easy set up



## DPX 200 HP / LP / Fan

### KEY FEATURES

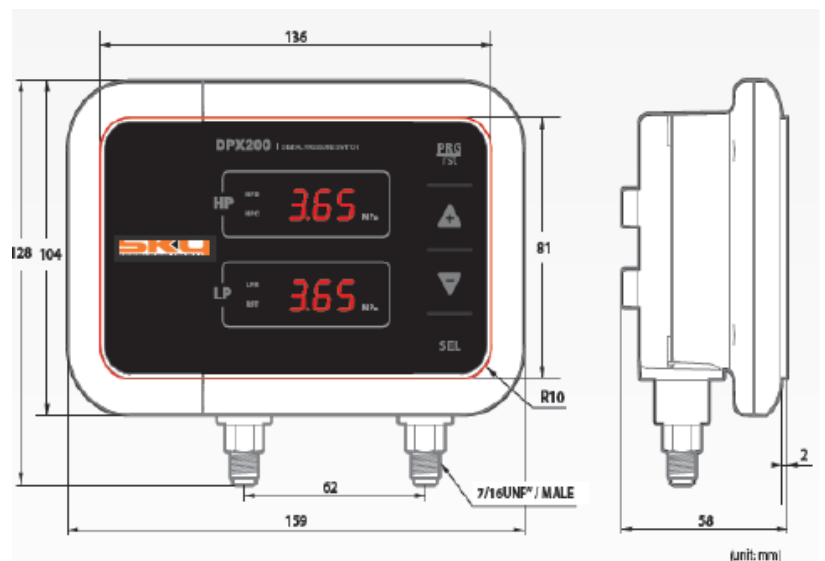
- High pressure to 5000kpa
- Low pressure to -0.1 kpa
- LP Time delay
- 1 Digital fan output



## DPX 300 HP / LP / Oil / Fan

### KEY FEATURES

- All 4 in one digital controller
- Adjustable oil pressure delay
- Saturated temperature display
- Oil pressure reset value



SKY Part No.	Item Description
DPX100-115	Digital Rack Controller 3 stages
DPX100-150	Digital HP Condenser Fan Controller 3 stages
DPX-200	Digital Hp/Lp + 1 Condenser fan
DPX-300	Digital Hp/Lp/Oil + 1 Condenser fan
RS485 Modbus Models	
DPX-200-R4	Digital Hp/Lp + 1 Condenser fan
DPX-300-R4	Digital Hp/Lp/Oil + 1 Condenser fan



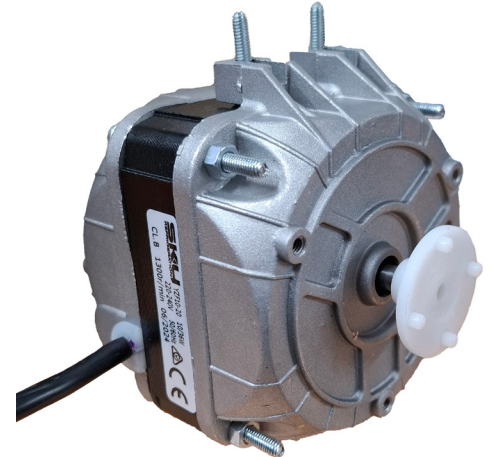
# SKY Fan Motors and Fan Assemblies

Manufactured to SKY's specifications, in compliance with Australian Standards.  
Eg: CE, VDE, UL, CCC while meeting the ErP performance standards.

## Shaded Pole Motors - 501 Series

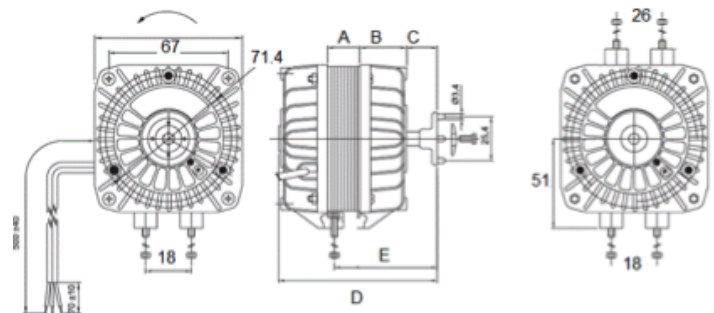
### KEY FEATURES

- CE, VDE, UL, CCC approval and RoHS compliant
- 14 point multi mount frame
- Single phase with 4 shaded poles rated at 20,000hrs
- IP42 rating – Insulation class B
- Thermally protected (10w and over)
- Impedance protected (5w)
- Supplied with mounting fasteners and 1m cord.



SKY Part No.	Item Description	Supply	Poles	Output W	Rpm	Amps	Input W
501-5-13-18/26	Fan Motor 5W	230V/50Hz	Shaded Pole	5	1300	0.20	29
501-10-20-18/26	Fan Motor 10W	230V/50Hz	Shaded Pole	10	1300	0.25	36
501-16-25-18/26	Fan Motor 16W	230V/50Hz	Shaded Pole	16	1300	0.45	60
501-25-40-18/26	Fan Motor 25W	230V/50Hz	Shaded Pole	25	1300	0.70	90
501-34-45-18/26	Fan Motor 34W	230V/50Hz	Shaded Pole	34	1300	0.85	110

Dimensions mm	A	B	C	D	E
501-5-13-18/26	13	30	15	82	45
501-10-20-18/26	19	37	15	88	52
501-16-25-18/26	25	41	15	94	56
501-25-40-18/26	40	57	18	113	75
501-34-45-18/26	45	62	22	122	84



## ECM Motors

SKY Part No.	Item Description	Supply	Rpm	Output W	IP
507-5312L	EMC Motor	110V/240Hz	1300	9/15	65
507-5312M	EMC Motor	110V/240Hz	1300	12/18	65
507-5312H	EMC Motor	110V/240Hz	1300	16/24	65



## Computer Fans

SKY Part No.	Item Description	Supply
504-8038-240	Computer Fan 80mm x 38mm	240V lead wire
504-12038-240	Computer Fan 120mm x 38mm	240V lead wire
504-12038-Grill	Grill to suit 120mm Computer Fan	



# Shaded Pole Motors - Accessories

## Axial Fans – 500 series – Grill Style

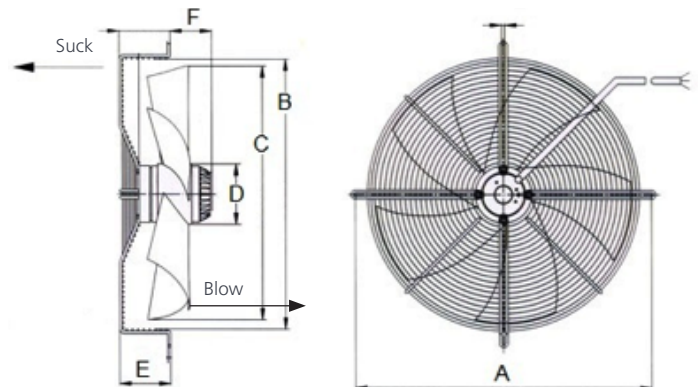
### KEY FEATURES

- High efficiency external rotor motors (ErP 2015 performance)
- CE, UL, CCC approval and RoHS compliant
- -30°C to 60°C operating range
- Single phase and three phase rated at 30,000hrs
- IP44,IP55 rating – Insulation class B or F
- Terminal box connection
- Standard air direction - drawing (over motor)



SKY Part No.	Item Description	Supply	Poles	Rpm	Amps	Input W	dBA 1m
<b>500-4E-250-S-92/25G</b>	250mm fan blade	230V/50Hz	4	1380	0.23	50	55
<b>500-4E-300-S-92/35G</b>	300mm fan blade	230V/50Hz	4	1380	0.42	85	60
<b>500-4E-350-S-102/34G1</b>	350mm fan blade	230V/50Hz	4	1400	0.65	64	64
<b>500-4E-400-S-102/47G</b>	400mm fan blade	230V/50Hz	4	1380	0.82	180	67
<b>500-4E-450-S-102/60G</b>	450mm fan blade	230V/50Hz	4	1320	1.15	250	69
<b>500-6E-450-S-102/60G</b>	450mm fan blade	230V/50Hz	6	900	1.05	230	66
<b>500-4E-500-S-137/35G</b>	500mm fan blade	230V/50Hz	4	1320	1.85	380	71
<b>500-6E-500-S-137/35G</b>	500mm fan blade	230V/50Hz	6	900	1.74	355	68
<b>500-4E-550-S-137/35G</b>	550mm fan blade	230V/50Hz	4	1320	2.4	520	75
<b>500-4E-560-S-145/65G</b>	560mm fan blade	230V/50Hz	6	1320	2.4	520	75
<b>500-4E-630-S-145/65G</b>	630mm fan blade	230V/50Hz	4	1320	2.6	560	76
<b>500-6E-630-S-137/70G</b>	630mm fan blade	230V/50Hz	6	900	2.4	525	72
<b>500-4D 500-S-G-415</b>	500mm fan blade	415V/50Hz	4	1320	0.8	500	76
<b>500-6D-500-S-G-415</b>	500mm fan blade	415V/50Hz	6	900	0.55	414	66
<b>500-6D-560-S-G-415</b>	560mm fan blade	415V/50Hz	6	900	1.10	490	68
<b>500-6D-630-S-G-415</b>	630mm fan blade	415V/50Hz	6	900	1.45	550	71
<b>500-6D-710</b>	710mm fan blade	415V/50Hz	6	900	1.9	900	73
<b>500-6D-800</b>	800mm fan blade	415V/50Hz	6	900	2.85	1200	75

Dimensions mm	A	B	C	D	E	F
<b>500-4E-250-S-92/25G</b>	320	275	250	92	60	20
<b>500-4E-300-S-92/35G</b>	359	320	300	92	80	36
<b>500-4E-350-S-102/34G1</b>	420	396	350	102	80	53
<b>500-4E-400-S-102/47G</b>	470	419	400	102	90	56
<b>500-4E-450-S-102/60G</b>	521	470	450	102	90	69
<b>500-6E-450-S-102/60G</b>	521	470	450	102	90	69
<b>500-4E-500-S-137/35G</b>	570	520	500	137	90	63
<b>500-6E-500-S-137/35G</b>	570	520	500	137	90	63
<b>500-4D-500-S-G-415</b>	570	520	500	137	90	63
<b>500-4E-550-S-137/50G</b>	622	570	550	137	100	68



**Fan Blades, 4 pin, 5 blade (Aluminium)**

SKY Part No.	Item Description	Diameter mm	Material	Direction	Pitch Deg
503-172-S	Fan blade	172	Aluminium	Suck	28°
503-200-S	Fan blade	200	Aluminium	Suck	28°
503-200-B	Fan blade	200	Aluminium	Blow	28°
503-230-S	Fan blade	230	Aluminium	Suck	28°
503-250-S	Fan blade	248	Aluminium	Suck	28°
503-250-B	Fan blade	248	Aluminium	Blow	28°
503-254-S	Fan blade	254	Aluminium	Suck	28°



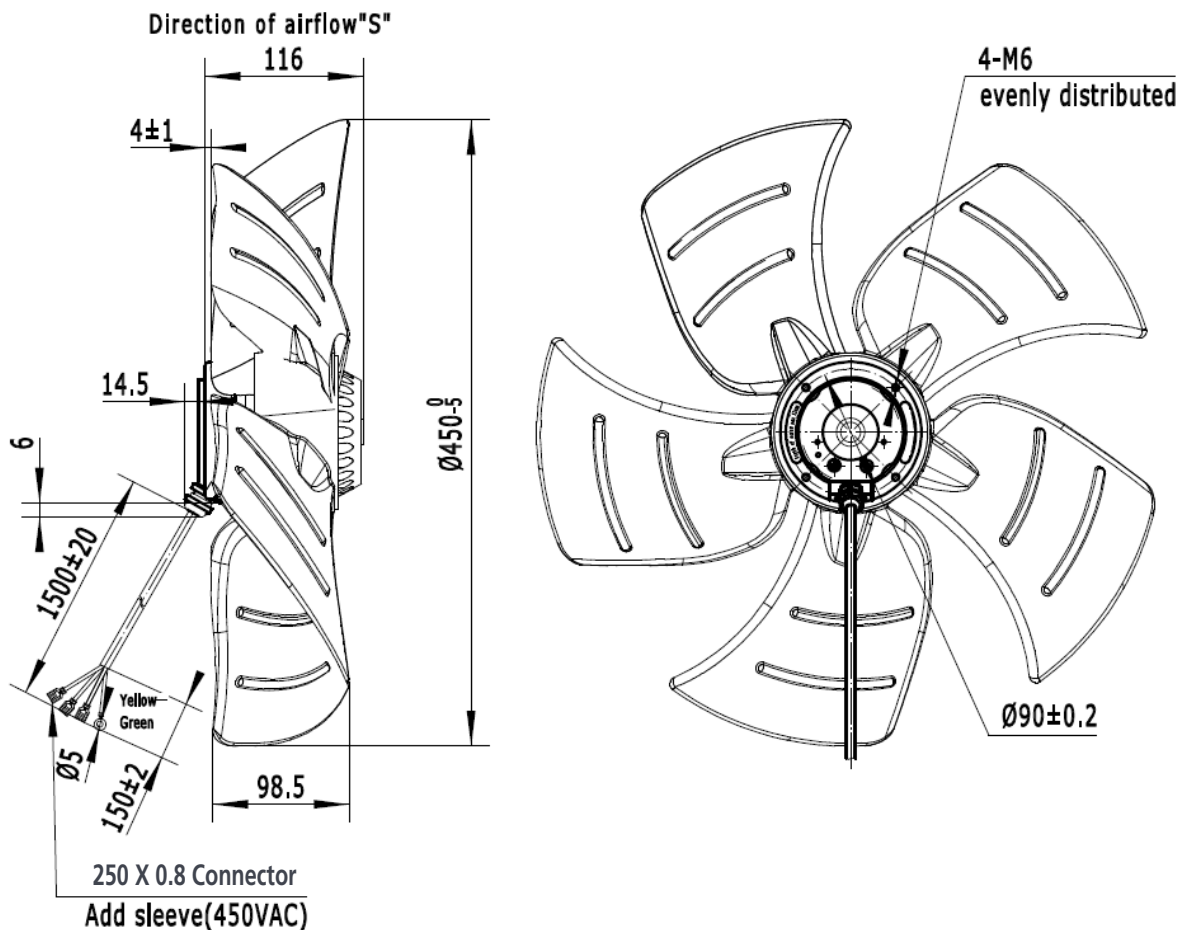
Note: other pitches available on request.

**EC- Electronically Commutated Axial Fans**

SKY Part No.	Item Description	Supply	Control	Rpm	Amps	Input W	dBA 1m
502-EC92-A300-003065-05B-F	300mm fan blade	230V/50Hz	0-10VDC	1768	0.73	90	70
502-EC92-A350-006085-05B-F	350mm fan blade	230V/50Hz	0-10VDC	1730	1.18	162	70
502-EC102-A400-010070-05B-F	400mm fan blade	230V/50Hz	0-10VDC	1600	1.4	310	70
502-EC102-A450-011095-05B-F	450mm fan blade	230V/50Hz	0-10VDC	1310	1.4	260	72

**OEM Replacement Fan Assemblies**

SKY Part No.	Item Description
506-6E-450-S0102/47	450mm fan blade Drop in replacement for EBM A6E 450



# SKY General Start and Run Capacitors



## Start Capacitors

SKY Part No.	Voltage	MFD	Dia (l x d)mm
510-SC2K25-30	240	25-30	36 x 70
510-SC2K40-50	240	40-50	36 x 70
510-SC2K50-63	240	50-63	36 x 70
510-SC2K63-80	240	63-80	36 x 70
510-SC2K72-88	240	72-88	36 x 70
510-SC2K88-108	240	88-108	36 x 70
510-SC2K108-130	240	108-130	36 x 70
510-SC2K124-149	240	124-149	36 x 70
510-SC2K145-174	240	145-174	36 x 86
510-SC2K160-200	240	160-200	36 x 86
510-SC2K189-227	240	189-227	46 x 85
510-SC2K270-324	240	270-324	46 x 85

SKY Part No.	Voltage	MFD	Dia (l x d)mm
510-SC3K88-108	330	88-108	48 x 86
510-SC2K108-130	330	108-130	52 x 111
510-SC3K130-156	330	130-156	52 x 111
510-SC3K160-200	330	160-200	64 x 111



## Run Capacitor Plastic

SKY Part No.	Voltage	MFD	Dia (l x d)mm
510-RCS4B-1	450V	1	30 x 63
510-RCS4B-2	450V	2	30 x 63
510-RCS4B-3	450V	3	30 x 63
510-RCS4B-4	450V	4	30 x 63
510-RCS4B-5	450V	5	30 x 63
510-RCS4B-6	450V	6	34 x 68
510-RCS4B-8	450V	8	34 x 68
510-RCS4B-10	450V	10	34 x 68
510-RCS4B-12	450V	12	34 x 68
510-RCS4B-14	450V	14	34 x 68
510-RCS4B-15	450V	15	38 x 73
510-RCS4B-16	450V	16	38 x 73
510-RCS4B-20	450V	20	38 x 73
510-RCS4B-25	450V	25	45 x 78
510-RCS4B-30	450V	30	45 x 94
510-RCS4B-35	450V	35	45 x 94
510-RCS4B-40	450V	40	45 x 94
510-RCS4B-45	450V	45	50 x 99
510-RCS4B-50	450V	50	50 x 99
510-RCS4B-55	450V	55	50 x 120
510-RCS4B-60	450V	60	50 x 120
510-RCS4B-70	450V	70	50 x 120
510-RCS4B-80	450V	80	50 x 120



## Run Capacitor Metal

SKY Part No.	Voltage	MFD	Dia (l x d)mm
510-RC4-1	450V	1	40 x 60
510-RC4-1.5	450V	1.5	40 x 60
510-RC4-2	450V	2	40 x 60
510-RC4-3	450V	3	40 x 60
510-RC4-4	450V	4	40 x 60
510-RC4-5	450V	5	40 x 70
510-RC4-6	450V	6	40 x 70
510-RC4-8	450V	8	40 x 70
510-RC4-10	450V	10	40 x 70
510-RC4-12	450V	12	40 x 70
510-RC4-15	450V	15	45 x 75
510-RC4-20	450V	20	50 x 75
510-RC4-25	450V	25	50 x 85
510-RC4-30	450V	30	50 x 105
510-RC4-35	450V	35	50 x 105
510-RC4-40	450V	40	50 x 110
510-RC4-45	450V	45	50 x 120
510-RC4-50	450V	50	50 x 120
510-RC4-55	450V	55	60 x 120
510-RC4-60	450V	60	60 x 120
510-RC4-70	450V	70	60 x 120
510-RC4-75	450V	75	60 x 120
510-RC4-80	450V	80	60 x 120





# HARRIS Brazing Alloys



## Sky Brown, Blue and Silver Tip Brazing Alloys

Manufactured for Sky by Harris in the USA, the Sky brazing alloys are traditional round rods with colour coded ends for identification.

### Sky Brown Tip™

SKY Part No.	Item Description
<b>800-BRT100</b>	Sky Brown Tip Brazing Alloy 1kg 900mm

### Sky Blue Tip™

SKY Part No.	Item Description
<b>800-BLT100</b>	Sky Blue Tip Brazing Alloy 1kg 500mm
<b>800-BLTTUBE</b>	Sky Blue Tip Brazing Alloy 50g 6 x 500mm ( Reusable tube)

### Sky Silver Tip™

SKY Part No.	Item Description
<b>800-ST100-M</b>	Sky Silver Tip Brazing Alloy 1kg 900mm



### Colour Change - Paste Brazing Flux

For brazing steel, stainless steel, copper, brass, and other ferrous and non-ferrous metals. Will penetrate tight joints. OH&S alternative to Boric acid based fluxes.

SKY Part No.	Item Description
<b>800-ESF250G</b>	ECO Smart brazing paste flux with Colour Change



### ALCOR

Aluminium soldering and for joining aluminium to copper.



### Harris Stay-Brite #8 HVAC Silver Solder

#### KEY FEATURES

- Low temperature silver solder
- Solder up to 1 1/8 with a Hand Torch
- Ferrous and Non-ferrous
- Must use Stay-Clean Flux

SKY Part No.	Item Description
<b>AL200RC</b>	ALCOR 2mm coil kit.

SKY Part No.	Item Description
<b>800-STAYBRITE-8</b>	Stay-Brite #8 Low Temp HVAC Silver Solder
<b>800-STAYCLEAN</b>	Stay-Clean 4 oz paste with brush

## Harris/Powertorch 825 Nitrogen Regulator

#### KEY FEATURES

The industry standard!

- Complies with AS 4267
- Robust large 70mm diaphragm
- Accurate full cylinder control
- Built in Burst relief



SKY Part No.	Item Description
<b>N2REG-825Z</b>	Powertorch/Harris 825 N2 Regulator HD
<b>N2- Gauge-L</b>	Harris/Wika Nitrogen Gauge 0-60bar
<b>N2- Gauge-H</b>	Harris/Wika Nitrogen Gauge 0-300bar



### Harris Nitrogen Flow Regulator

#### KEY FEATURES

- Solid brass body
- Strengthened connectors
- Measurements in SCFH

SKY Part No.	Item Description
<b>800-N2-FLOW</b>	1/4 FSAE in 1x 1/4 MSAE outlet



# BVA Specialty Lubricants

## KEY FEATURES

We stock this performance leading range of POE, mineral and alkylbenzene oil from the market leading innovators, BVA Oils. Their oils are engineered using only premium base fluids allowing for minimal additives, which broadens the application range to cover more compressor, refrigerant and temperature applications.

BVA's OEM approved standard lubricants are what the major conglomerates market as their premium range.

Note: Other grades available on request.



Super Series Mineral	Premium highly refined and OEM approved		
<b>BVA Oil</b>	32oz	1 Gal	5 Gal
<b>3G Super</b>	BVA-3GS-1L	BVA-3GS-4L	BVA-3GS-19L
<b>4G Super</b>	BVA-4GS-1L	BVA-4GS-4L	BVA-4GS-19L
<b>5G Super</b>	BVA-5GS-1L	BVA-5GS-4L	BVA-5GS-19L
Polyolester	A high quality oil using premium base fluids and minimal additives		
<b>RPOE 32</b>	BVA-RPOE32-1L	BVA-RPOE32-4L	BVA-RPOE32-19L
<b>RPOE 32MA</b>	BVA-RPOE32-3MAF-1L	BVA-RPOE32-3MAF-4L	BVA-RPOE32-3MAF-19L
<b>RPOE LT35 (Thermoking)</b>	BVA-RPOE35-1L		
<b>RPOE 46</b>	BVA-RPOE46-1L	BVA-RPOE46-4L	BVA-RPOE46-19L
<b>RPOE 68</b>	BVA-RPOE68-1L	BVA-RPOE68-4L	BVA-RPOE68-19L
<b>RPOE 120</b>		BVA-RPOE120-4L	BVA-RPOE190-19L
<b>RPOE 100</b>	BVA-RPOE100-1L	BVA-RPOE100-4L	BVA-RPOE100-19L
<b>RPOE 170</b>		BVA-RPOE170-4L	BVA-RPOE170-19L
<b>RPOE 220</b>		BVA-RPOE220-4L	BVA-RPOE220-19L
BVA ALKYL	An Alkylbenzene that is a wax free lubricant with no paraffin chains		
<b>A100E</b>	BVA-A100E-1L	BVA-A100E-4L	
<b>A150</b>	BVA-150-1L	BVA-150-4L	
<b>A200CA</b>	BVA-200CA-1L	BVA-200CA-4L	
Vacuum Pump Oil			
<b>Superior Deep Vac</b>	TE-SDV-1L	TE-SDV-4L	
<b>Vac 235</b>	BVA-VAC235-1L	BVA-VAC235-4L	BVA-VAC235-19L
<b>Vac SAE100</b>		BVA-VAC100-4L	BVA-VAC100-19L
<b>BVA-TSO</b>	Tel-spout oiler with 20mm telescopic extension (rus and oxidation inhibited oil)		
Polyvinylether	PVE to suit Danfoss and Daikin scroll compressors (Idemitsu)		
<b>PVE 32</b>	BVA-PVE32-1L (Eqv : Danfoss 160HV, Bitzer BVC32)		
<b>PVE 68</b>	BVA-PVE68-1L (Eqv : Danfoss 320HV, Bitzer BVC68, Daikin FVC68))		

## BVA Ammonia & CO2 lubricants

R717 (NH3)			
<b>717-68P</b>	Semi Synthetic	BVA-717P-19L	BVA-717P-205L
<b>717-68N</b>	(4SA)	BVA-717N-19L	BVA-717N-205L
<b>717-68LT</b>	Semi Synthetic	BVA-717P-68LT-19L	BVA-717P-68LT205L
R744 (CO2)			
<b>RPOE 68W</b>	BVA-RPOE C-68-1L	BVA-RPOE C-68-4L	
<b>RPOE 85W</b>	BVA-RPOE C-85-1L	BVA-RPOE C-85-4L	BVA-RPOE C-85-19L

## KEY FEATURES

BVA's 717P Ammonia Lubricants are market leaders, manufactured from two stage hydro cracked base stock. They exhibit exceptional stability, high viscosity and film strength. BVA 717P oils meet or exceed the requirements of R-717 compressor manufacturers.







# SKU

REFRIGERATION

Other Aspen Pumps Group brands:

