

90cm induction cooktop with ProCook function, FlexiBridge, touch slide controls, XL zone and Hob2Hood.

RRP AUS \$3,999.00



Product Details

FEATURES

ProCook function

FlexiBridge function

Hob2Hood

Hob2Hood automatically adjusts your hood settings so you can focus on creating delicious dishes.

XL Zone

OptiHeat™ control

The OptiHeat™ control helps you make the most efficient use of residual heat. It advises 3 levels of residual heat whether the heat zone is still hot enough to cook with, hot enough to keep food warm, or simply hot to touch.

Touch slide controls

Automax

PowerBoost

PowerBoost provides an instant burst of heat that is perfect for boiling potatoes or searing steak.

Pause Function

The pause function sets zones to the lowest setting to keep dishes warm and prevent overcooking.

Okotimer

Function control lock

BENEFITS

ProCook

At the touch of a button, the FlexiBridge cooking zone switches to three pre-set temperature levels: high, medium and low so you can simply move the pan to seamlessly go from boil to simmer.

Combine zones to cook more with FlexiBridge

Activated by a dedicated touch key and seamlessly controlled through one control, FlexiBridge is perfect for cooking larger dishes.

Hob2Hood

Leave Hob2Hood to regulate the fan while you concentrate on the key moments involved in getting your dish just right. It will automatically control your rangehood's fan and lights.

OptiHeat™ control by monitoring each heat zone

The OptiHeat™ control helps you make the most efficient use of residual heat. It advises 3 levels of residual heat whether the heat zone is still hot enough to cook with, hot enough to keep food warm, or simply hot to touch.

AutoMax

Our AutoMax cooking function provides fantastic automatic zone control. After you have selected the AutoMax function, it will bring the zone up to the boil and will then reduce it to your pre-selected power level for the remainder of the cooking time.

Touch slide controls

Precise heat control in an instant. Heat levels can be adjusted quickly, easily and accurately.

Specifications

PRODUCT PROFILE

Domestic warranty details (yrs)	5
Cooktop type	induction
Materials/Colour	black ceramic glass
Removable trim (for cleaning)	No

DIMENSIONS

Total product height (mm)	48
Total product width (mm)	910
Total product depth (mm)	520
Cut out width (mm)	880
Cut out depth (mm)	490
Cut out height (mm)	44

CONTROLS

Controls of Cooktops	Touch and Slide controls
Position of controls	front
Functions of Cooktops	automatic switch off,AutoMax automatic heat up,acoustic signal,booster,Hob2Hood,FlexiBridge,timer,pause,ProCook,MaxiZone,Child-lock,Individual zone timers
Indicators/display	fault indicator,3 level residual heat indicator,Power management
Features of Cooktop	minute minder,function lock,sound off,pot sensors,Hob2Hood Connectivity,FlexiBridge zone,MaxiZone,Bridge zone

ELEMENTS/BURNERS

LEFT FRONT ZONE

Left front zone	FlexiBridge
Left front Watts	2300
Left front boost watts	3200
Left front diameter mm	220

CONTROLS

Timer of Cooktop Oko timer,CountUp,Minute minder

LEFT REAR ZONE

Left rear zone FlexiBridge

Left rear watts 2300

Left rear diameter mm 220

CENTRE FRONT ZONE

Centre front zone MaxiZone

Centre front Watts 1800

Centre front diameter mm 280

RIGHT FRONT ZONE

Right front zone Bridge

Right front Watts 2300

Right front diameter mm 210

RIGHT REAR ZONE

Right rear zone Bridge

Right rear watts 2300

Right rear diameter mm 210

ELECTRICAL SPECIFICATIONS

Connected load KW 7.35

Type of connection hardwired

SHIPPING

Shipping Volume (m3) 0.071

Shipping Weight (Kg) 19.6

Pack Dimensions Height (mm) 118

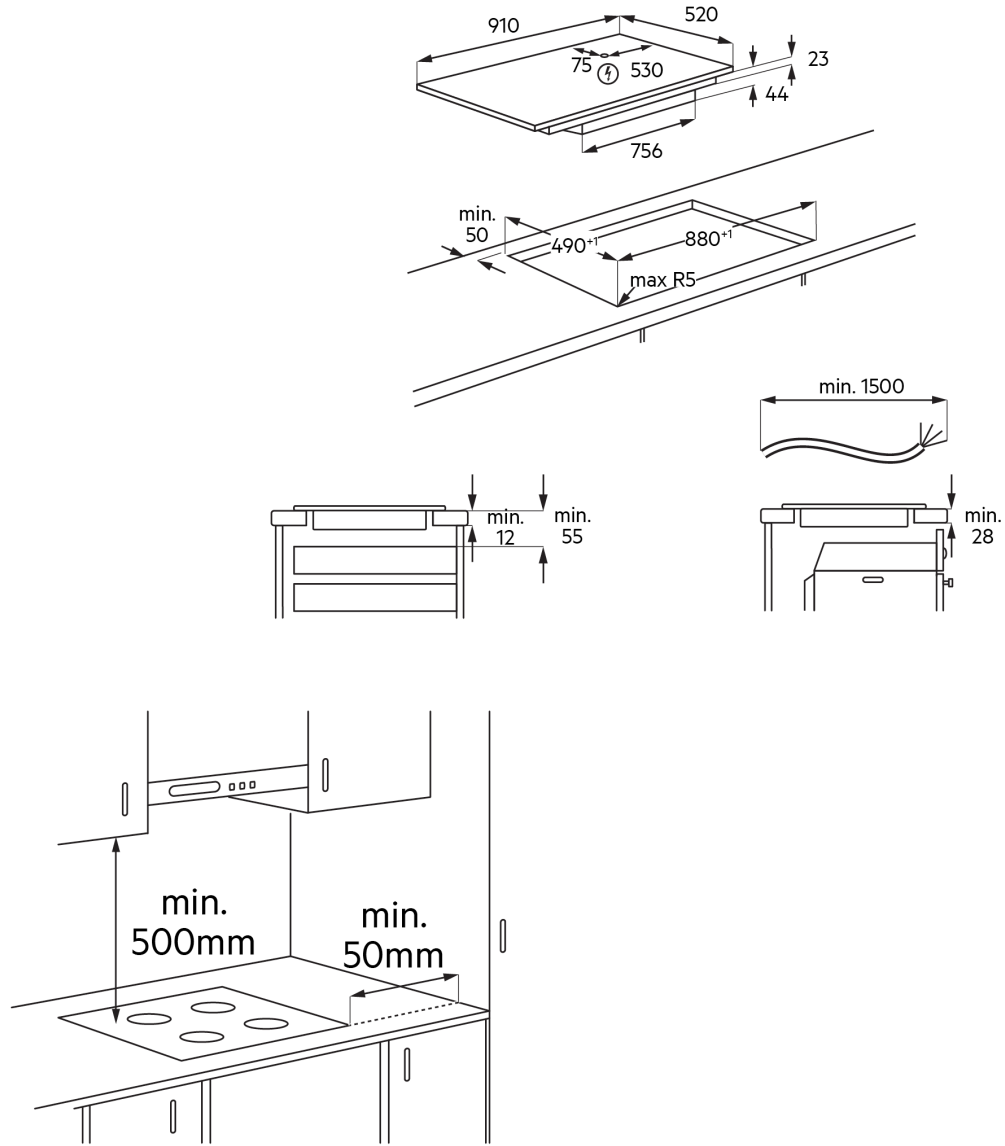
SHIPPING

Pack Dimension Width (mm)	998
------------------------------	-----

Pack Dimension Depth (mm)	600
------------------------------	-----

Dimensions

Model:
IKE95771FB



© 2023 Electrolux S.E.A PTE. LTD. A_DIM_IKE95771FB_Feb23

Terms and Conditions

IMPORTANT

This is a guide of product dimensions only. For complete installation instructions, refer to the manual provided with product.

PRODUCT INFORMATION

The descriptors and illustrations in this publication apply to the specific products and models described as at the date of issue. Under our policy of continuous product development, product specifications may change without notice. Prospective purchasers should therefore check with their retailer to ensure this publication correctly describes the products that are being offered for sale. All information supplied is to be used for general reference purposes only and is on the understanding that Electrolux Home Products Pty Ltd (Australia) and Electrolux (NZ) Ltd (New Zealand) will not be liable for any loss, liability or damage of whatever kind arising as a result of reliance on such information. Colours of products illustrated are as close as printing limitations allow. Electrolux will at all times comply with its obligations pursuant to law including Trade Practices (Australian Consumer Law) Act and Regulations.

WARRANTY

Electrolux Home Products warrants that for domestic applications the AEG appliances featured are free from defects in materials and workmanship for 5 years (3 months warranty for commercial applications). All warranties are subject to the conditions set out in the warranty card accompanying the product when purchased.

ELECTROLUX HOME PRODUCTS AUSTRALIA

telephone: 1300 363 664

fax: 1800 350 067

email: customercare@aegaustralia.com.au

web: www.aeg.com/au

ELECTROLUX HOME PRODUCTS NEW ZEALAND

telephone: 0800 10 66 10

fax: 09 573 2221

email: customercare@electrolux.co.nz

web: www.aeg.com/au