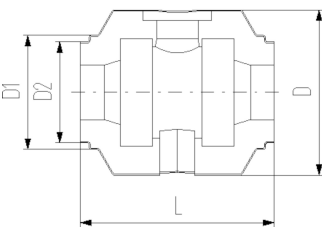
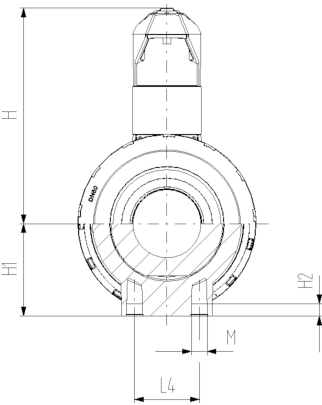
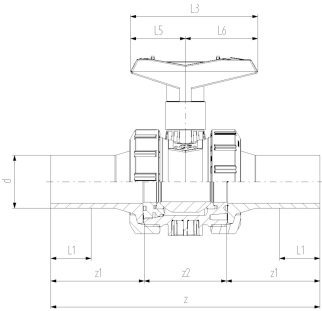




## COOL-FIT 2.0 Ball valve type 546 hand-operated

### Model:

- Material: PVC-U with spigot PE100 SDR11, metric
- Ball seals PTFE
- Integrated stainless steel mounting inserts
- Including insulation half shells



| d<br>(mm) | DN<br>(mm) | PN | kv-value<br>( $\Delta p=1$ bar)<br>(L/min) | Code               | Weight<br>(kg) |
|-----------|------------|----|--|--------------------|----------------|
| 32        | 25         | 16 | 700  | <b>138 546 308</b> | 0.560          |
| 40        | 32         | 16 | 1000                                       | <b>138 546 309</b> | 0.900          |
| 50        | 40         | 16 | 1600                                       | <b>138 546 310</b> | 1.190          |
| 63        | 50         | 16 | 3100                                       | <b>138 546 311</b> | 2.100          |
| 75        | 65         | 16 | 5000                                       | <b>138 546 312</b> | 5.550          |
| 90        | 80         | 16 | 7000                                       | <b>138 546 313</b> | 8.150          |

| d<br>(mm) | DN<br>(mm) | D<br>(mm) | D1<br>(mm) | D2<br>(mm) | L<br>(mm) | L1<br>(mm) | L3<br>(mm) | L4<br>(mm) | H<br>(mm) | H1<br>(mm) | H2<br>(mm) | z<br>(mm) | z1<br>(mm) | z2<br>(mm) | M  |
|-----------|------------|-----------|------------|------------|-----------|------------|------------|------------|-----------|------------|------------|-----------|------------|------------|----|
| 32        | 25         | 135       | 97         | 82         | 152       | 36         | 97         | 25         | 98        | 36         | 12         | 223       | 76         | 71         | M6 |
| 40        | 32         | 157       | 117        | 97         | 170       | 40         | 128        | 45         | 119       | 44         | 15         | 249       | 82         | 85         | M8 |
| 50        | 40         | 169       | 117        | 97         | 184       | 44         | 128        | 45         | 125       | 51         | 15         | 271       | 91         | 89         | M8 |
| 63        | 50         | 204       | 132        | 117        | 227       | 48         | 152        | 45         | 150       | 64         | 15         | 321       | 110        | 101        | M8 |
| 75        | 65         | 235       | 147        | 132        | 276       | 55         | 270        | 70         | 194       | 85         | 15         | 386       | 125        | 136        | M8 |
| 90        | 80         | 255       | 168        | 147        | 297       | 62         | 270        | 70         | 200       | 105        | 15         | 421       | 140        | 141        | M8 |

| d<br>(mm) | DN<br>(mm) | Closest inch<br>(inch) |
|-----------|------------|------------------------|
| 32        | 25         | 1                      |
| 40        | 32         | 1 ¼                    |
| 50        | 40         | 1 ½                    |
| 63        | 50         | 2                      |
| 75        | 65         | 2 ½                    |
| 90        | 80         | 3                      |

The technical data are not binding. They neither constitute expressly warranted characteristics nor guaranteed properties nor a guaranteed durability. They are subject to modification. Our General Terms of Sale apply.

Georg Fischer Piping Systems Ltd, Postfach, CH-8201 Schaffhausen/Switzerland

Phone +41 -(0)52-631 1111

e-mail: [info.ps@georgfischer.com](mailto:info.ps@georgfischer.com)

Internet: <http://www.gfps.com>