

**MOTOR SPECIFICATION**

**809454PVB-A16**

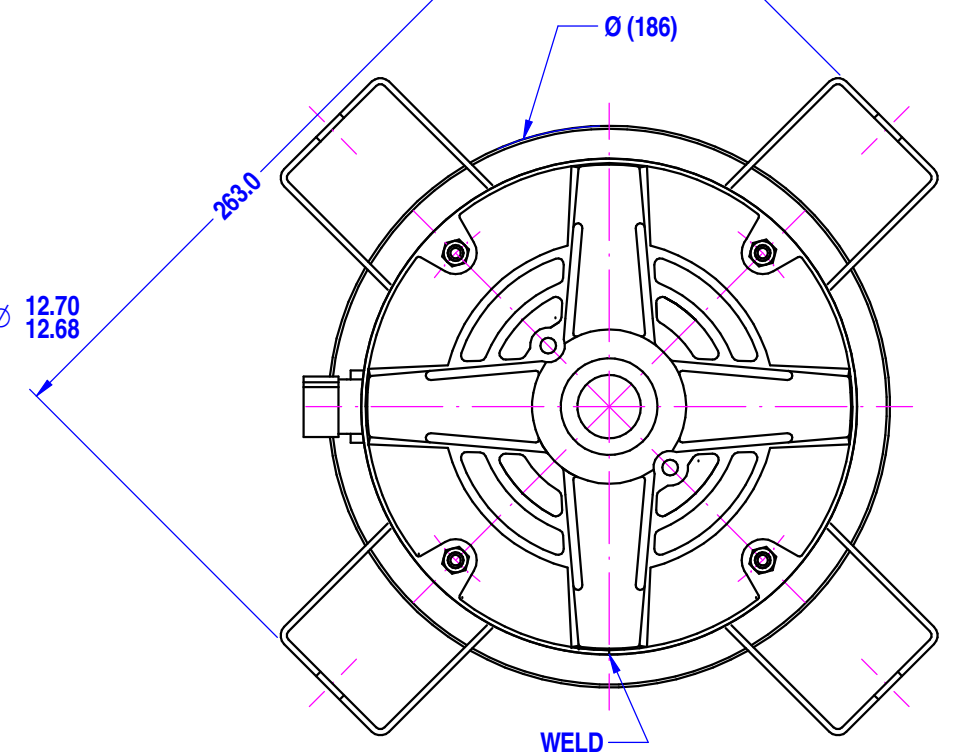
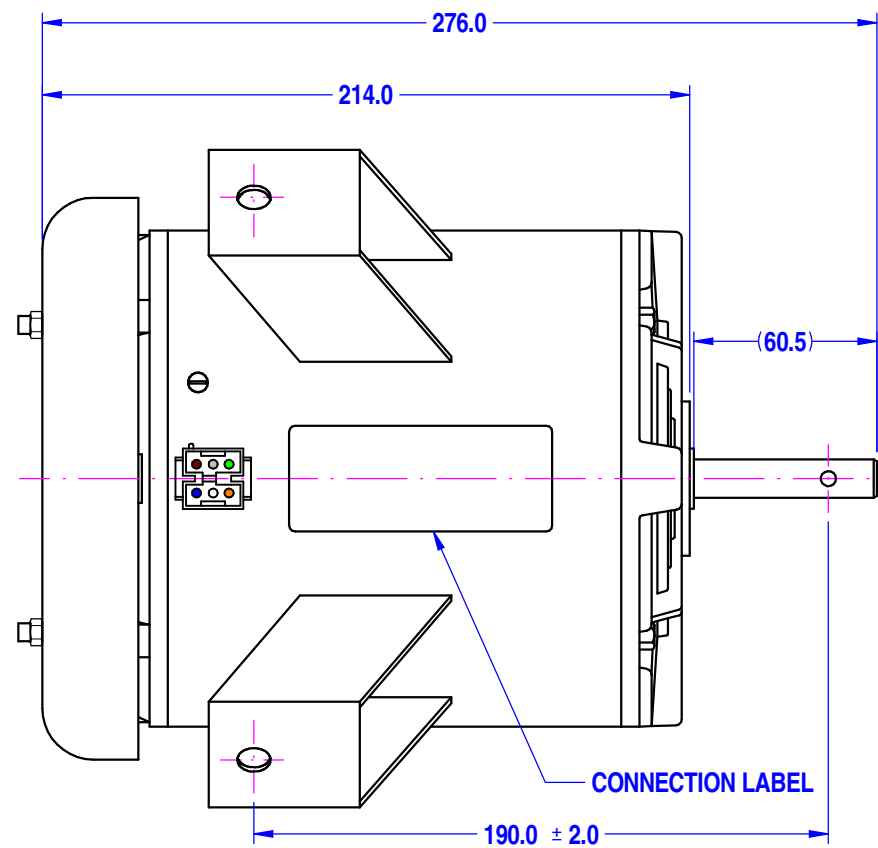
Q.R. No.	7024	CUSTOMER NO.	6011603SP
CUSTOMER	SOUTHCORP		
MOTOR RATING	VOLTS	240	Hz 50 Ph 1 Duty AOM
	RPM.	1400	3.9 AMPS
	NOM. OUTPUT	600 WATTS	
ROTATION	CLOCK WISE AT SHAFT END		
CAPACITOR	START	-----	μF/V RUN 20/400 μF/V
ENCLOSURE	DRIPROOF		
MOTOR TYPE	CSR	INSULATION CLASS	B
THERMAL PROTECTION	AUTO RESET OVERLOAD		
APPLICATION	EVAP. COOLER		
BEARING D.E.	6204 ZZ	LUBRICATION	LONG LIFE, WIDE RANGE
BEARING N.D.E.	6203 ZZ		
SUPPLY LEAD	-----		
EARTH PROVISION	VIA TERMINAL BOX		
BASIC BUILD SPECIFICATION	470-007-01	PAINT/ COLOUR	FLAME-RED RAL-3000
PERFORMANCE SPECIFICATION	SP94055-01		
CONNECTION DIAGRAM	393-402-11	RATING LABEL	SEE 391-158-01

**SPECIAL REQUIREMENTS:**

- LEADS TO BE TIED DOWN ON STATOR'S WINDING (AWAY FROM TIEROD) USING PLASTIC CABLE TIE.
- CUSTOMERS PART No. 6011603SP TO BE PRINTED ON RATING LABEL AND ON PACKING CARTON.
- SERVICE PACK 391-158-01 TO BE PACKED WITH EACH MOTOR IN CARTON.
- PACKING IN SINGLE CARTON BUT DO NOT SEAL WITH TAPE.
- RATING LABEL DATA AS PER CUSTOMER REQUIREMENTS (REFER 305-731-00)

FINAL INSPECTED MOTORS MUST COMPLY WITH ELECTRIC MOTOR VIBRATION SPECIFICATION (ES049)

THIRD ANGLE PROJECTION.

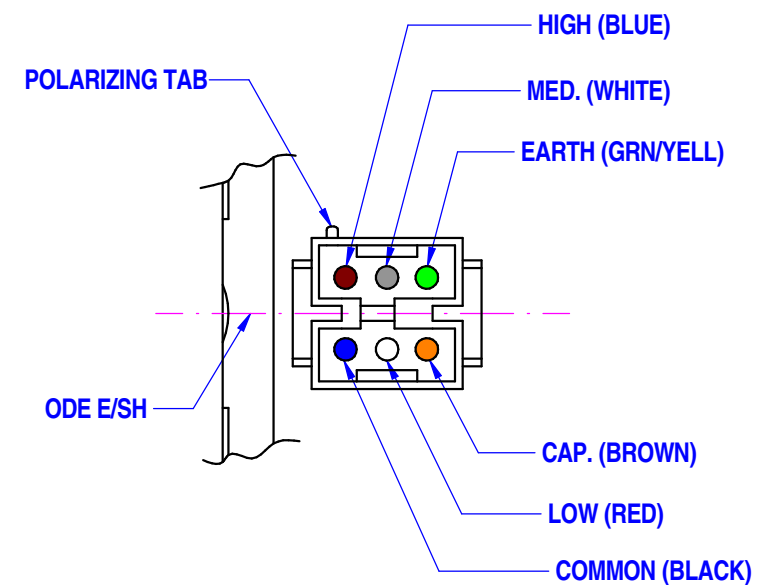


RATING LABEL 500 W

<b>FASCO</b>	DESIGNED AND MANUFACTURED TO AUSTRALIAN STANDARDS & SPECIFICATIONS			
	CUST.NO.6011603SP.	ddmmyyxxxx		
MODEL	809454PVB-A16			35.0
VOLTS	240	R.P.M.	842/1164/1349	
WATTS	500	TYPE	CSR	
AMPS	2.4/3.0/3.9	DUTY	AOM	
CLASS B130		Hz	50	35.0
μF/V S NIL		Ph	1	
PROT. AUTO				
<b>WARNING</b>		MOTOR FITTED WITH INTERNAL AUTO RESET OVERLOAD AND MAY RESTART WITHOUT WARNING		

RATING LABEL 600 W

<b>FASCO</b>	DESIGNED AND MANUFACTURED TO AUSTRALIAN STANDARDS & SPECIFICATIONS			
	CUST.NO.6001321	ddmmyyxxxx		
MODEL	809454PVB-A16.			35.0
VOLTS	240	R.P.M.	822/1108/1346	
WATTS	600	TYPE	CSR	
AMPS	2.4/3.2/4.1	DUTY	AOM	
CLASS B130		Hz	50	35.0
μF/V S NIL		Ph	1	
PROT. AUTO				
<b>WARNING</b>		MOTOR FITTED WITH INTERNAL AUTO RESET OVERLOAD AND MAY RESTART WITHOUT WARNING		



NOTE: RELATIVE POSITION OF POLARIZING TAB & ODE E/SH MUST BE MAINTAINED.

UNLESS OTHERWISE SPECIFIED: DIMENSIONS ARE IN MM. TOLERANCES		MOTOR WEIGHT	
DECIMALS	ANGULAR	11.6 kg.	
.X ± 1.0	± 30'	DRAWN	Muntana 07/11/2018
.XX ± 0.1		CHECKED	Pipat 07/11/2018
THIS DRAWING REMAINS THE PROPERTY OF FASCO MOTORS AND MAY NOT BE USED, COPIED OR ISSUED WITHOUT WRITTEN PERMISSION FROM FASCO MOTORS		RELEASED	Suksakorn 08/11/2018
		SCALE	N.T.S.

<b>FASCO THAILAND</b> 29/7-8 MOO 3, BANGKRUAY - SAINOI Rd., BANGKRANG, MUANG NONTABURI DISTRICT, NONTABURI 11000 THAILAND	FRAME	MOTOR
	STATUS	B055:9454T-600-HAD:ILEC
	SHEET	DWG. NO.
	A3	809454PVB-A16
		REVISION
		N

MIC1804207 By: Muntana Date:07/11/2018 MIC N: Remove C-tick mark from sale drawing.