

American Standard Studio Vanity Basin 1 Tap Hole

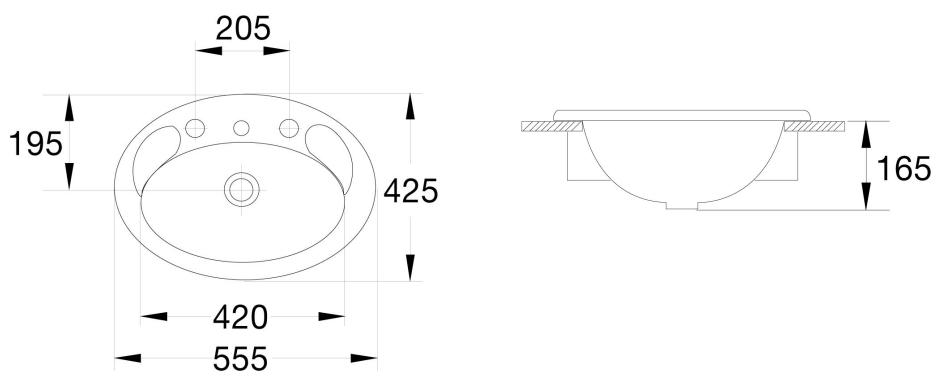
SPECIFICATIONS

| | |
|-----------------------|--|
| Recommended Use | Domestic, Hotel & Commercial |
| Material | Vitreous China |
| Weight | 7kg |
| Template | Supplied |
| Integrated Overflow | No |
| Tap Hole Availability | 1 & 3 tap hole |
| Capacity | 7 litres |
| Fixing | Counter top self-rimming (fixing clips supplied) |
| Pug & Waste | Suits 40mm waste (not supplied) |

WARRANTY

| | |
|-------------------------|-----------|
| Warranty - Domestic Use | 10 Years |
| Spare Parts & Labour | 12 Months |

Please refer to Warranty Page for full Terms and Conditions



Dimensions are nominal measurements only.

Disclaimer: Products in this specification manual must by regulation be installed by licensed and registered trade people. The manufacturer/distributor reserves the right to vary specifications or delete models from their range without prior notification. Dimensions are nominal measurements only. Dimensions and set-outs listed are correct at time of publication however the manufacturer/distributor takes no responsibility for printing errors.

Published 24/11/2020

To see the complete American Standard range go to www.reece.com.au/bathrooms

