

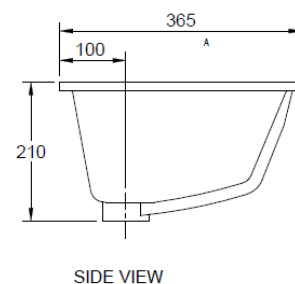
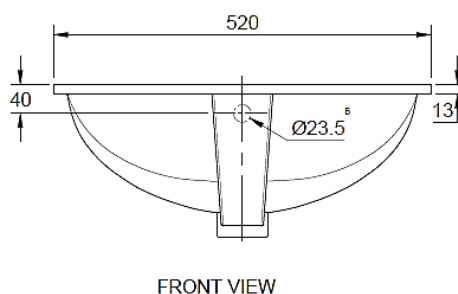
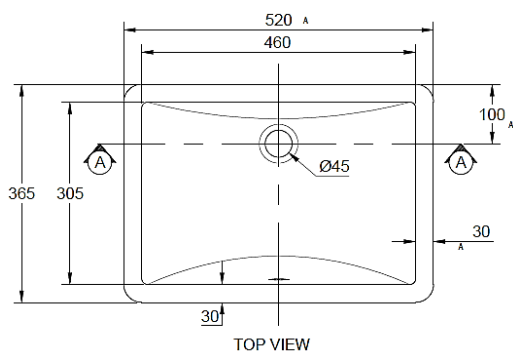
American Standard Cygnet Under Counter Basin

FEATURES

Recommended use	Domestic, hotel and commercial.
Material	Vitreous China
Weight	11.1kg
Overall dimensions	L520xW365XH210mm

SPECIFICATIONS

Fixing	Underside of bench top, fixing supplied
Integral overflow	Yes
Tap hole	NA
Plug and waste	Sold separately
Colour availability	White
Template	Supplied with product
Capacity	9 litres



Dimensions are nominal measurements only.

Disclaimer: Products in this specification manual must by regulation be installed by licensed and registered trade people. The manufacturer/distributor reserves the right to vary specifications or delete models from their range without prior notification. Dimensions are nominal measurements only. Dimensions and set-outs listed are correct at time of publication however the manufacturer/distributor takes no responsibility for printing errors.

Published 18/01/2023

To see the complete American Standard range go to www.reece.com.au/bathrooms

