



Bradflo

Round Ceiling Diffusers

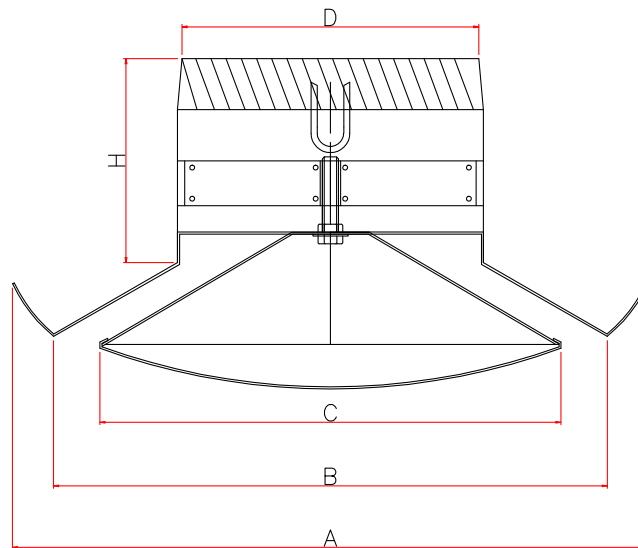
Specification Sheet



The round ceiling diffuser is fabricated from spun aluminium. The diffuser has a round spigot to suit flexible duct. The core is adjustable and acts as both balancing damper and pattern control. The diffuser may be easily fixed into position using special fixing clips provided.

Finish

Standard finish is white electrostatic powdercoat. Contact your nearest Metalflex branch for any special requirement you may have regarding colour.

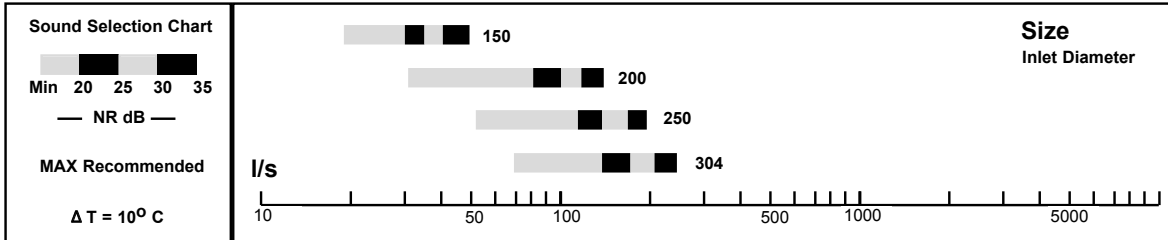


Product	Product Description	A mm	B mm	C mm	D mm	H mm
3215250	ALUMINIUM ROUND DIFFUSER 150MM	310	270	226	150	100
3214034	ALUMINIUM ROUND DIFFUSER 200MM	360	320	276	200	125
3214035	ALUMINIUM ROUND DIFFUSER 250MM	410	370	326	250	140
3214038	ALUMINIUM ROUND DIFFUSER 300MM	460	420	376	300	150



Round Ceiling Diffusers

Selection Guide



PERFORMANCE DATA												
Note! Throw data is at a terminal velocity of 0.5m/s. Air supply is isothermal												
Inlet Diameter mm (in)	Discharge Gap mm(in)	Airflow l/s (cfm)	Statistic Pressure pa (In H ₂ O)	Throw m (ft)	Sound Power Level Octave band centre frequency (Hz)							
					63	125	250	500	1000	2000	4000	8000
150 (5.9)	40 (1.6)	40 (85)	5.5 (.022)	.92 (3.0)	45.0	46.0	45.0	45.0	42.0	34.5	26.5	28.5
	32 (1.25)		7.5 (.030)	1.40 (4.6)	45.0	45.5	43.5	45.0	44.0	35.5	21.5	29.5
	25 (1.0)		23 (.090)	1.70 (5.60)	43.5	51.5	48.5	45.0	42.0	36.5	30.0	2.3
	40 (1.6)	75 (158)	6.5 (0.26)	1.35 (4.4)	44.5	46.5	44.5	45.0	43.5	33.5	26.5	28.5
	32 (1.25)		8.5 (0.34)	1.70 (5.6)	46.0	52.0	50.0	50.5	51.0	43.5	34.5	23.5
	25 (1.0)		44 (.173)	2.03 (6.7)	47.0	54.0	50.5	50.0	50.5	39.5	31.5	29.5
	40 (1.6)	100 (212)	7 (.028)	1.80 (5.9)	45.0	49.5	47.5	49.0	49.0	41.0	25.5	28.5
	32 (1.25)		13 (.051)	2.50 (8.2)	47.0	52.0	49.0	51.0	51.5	44.5	34.5	23.5
	25 (1.0)		63 (.248)	3.00 (9.8)	48.0	54.0	52.5	50.5	52.5	46.0	36.5	29.0
	40 (1.6)	150 (318)	13 (.051)	2.15 (7.1)	29.5	55.5	54.0	56.5	58.0	52.5	44.5	33.5
	32 (1.25)											
	25 (1.0)											
40 (1.6)	200 (424)	21 (.083)	2.95 (9.7)	57.5	66.0	63.0	64.0	66.0	62.0	55.0	50.5	
32 (1.25)		30 (.118)	3.4 (11.2)	56.0	64.0	63.0	61.5	64.5	60.5	52.5	49.0	
25 (1.0)		120 (.472)	3.8 (12.5)	51.5	63.0	63.5	61.0	60.5	58.5	51.5	44.5	
200 (7.9)	40 (1.6)	75 (158)	16 (.063)	.95 (3.1)	42.0	45.0	40.5	35.5	31.5	22.5	17.5	22.0
	32 (1.25)		30 (.118)	1.5 (4.9)	42.0	45.0	42.5	36.0	32.0	24.5	17.5	23.0
	25 (1.0)		75 (.295)	1.8 (5.9)	42.5	57.0	47.0	43.5	38.0	34.0	25.0	23.0
	40 (1.6)	100 (212)	18 (.071)	1.75 (5.7)	41.5	44.5	41.0	36.0	32.0	23.0	17.5	22.5
	32 (1.25)		55 (.217)	1.85 (6.1)	41.5	48.5	46.5	41.5	37.5	33.5	21.5	23.0
	25 (1.0)		103 (.406)	2.0 (6.6)	42.0	49.5	49.5	47.5	43.0	40.0	33.5	22.5
	40 (1.6)	150 (318)	35 (.138)	2.1 (6.9)	45.0	51.5	48.5	44.0	41.0	36.5	22.5	22.5
	32 (1.25)		96 (.378)	2.2 (7.2)	44.0	54.0	53.5	49.0	45.5	41.5	21.5	37.0
	25 (1.0)		170 (.669)	2.6 (8.5)	44.0	54.5	56.0	56.0	52.0	49.0	44.0	37.0
	40 (1.6)	200 (424)	57 (.224)	2.4 (7.9)	48.0	58.0	55.0	50.5	48.0	45.0	34.5	29.0
	32 (1.25)		180 (.709)	2.65 (8.7)	48.0	60.0	60.5	57.0	53.0	51.0	42.5	37.0
	25 (1.0)		265 (1.04)	3.0 (9.8)	47.5	59.0	60.5	62.5	59.5	55.0	51.5	47.0
40 (1.6)	250 (530)	95 (.374)	3.1 (10.2)	51.0	64.0	61.5	57.0	55.5	53.0	45.5	35.5	
32 (1.25)		260 (1.02)	3.35 (11)	51.5	65.0	65.5	63.0	59.5	57.0	51.5	45.0	
40 (1.6)	300 (636)	220 (.866)	3.75 (12.3)	55.5	67.5	65.0	60.0	58.5	55.5	48.5	37.5	
32 (1.25)		500 (1.97)	3.9 (12.8)	53.0	64.5	65.0	69.5	65.5	64.0	59.0	55.5	
250 (9.8)	40 (1.6)	100 (212)	12 (.047)	1.05 (3.4)	42.5	41.5	35.5	31.0	26.0	11.5	16.5	28.0
	32 (1.25)		15 (.059)	1.35 (4.4)	42.5	41.5	37.0	32.0	26.5	15.5	17.5	27.5
	25 (1.0)		40 (.157)	2.2 (7.2)	42.0	44.0	43.5	39.5	36.5	30.0	24.5	22.0
	40 (1.6)	150 (138)	18 (.071)	1.65 (5.4)	43.0	41.5	38.5	34.0	29.5	16.0	17.5	27.5
	32 (1.25)		20 (.079)	1.85 (6.1)	44.0	45.0	40.5	34.5	32.0	29.5	17.5	28.5
	25 (1.0)		73 (.287)	2.8 (9.2)	44.0	50.5	48.0	43.5	41.5	38.5	28.0	21.5
	40 (1.6)	200 (424)	27 (.106)	1.8 (5.9)	45.0	47.5	43.0	39.5	36.0	25.5	17.5	27.5
	32 (1.25)		50 (.197)	2.35 (7.7)	45.0	50.5	46.0	41.5	39.0	32.5	17.5	28.5
	25 (1.0)		110 (.433)	3.40 (11.2)	43.5	54.5	52.5	48.5	47.0	44.5	36.5	28.5
	40 (1.6)	250 (350)	42 (.165)	2.85 (9.3)	48.0	53.5	49.5	44.5	42.5	36.5	17.5	27.5
	32 (1.25)		65 (.256)	3.0 (9.8)	46.0	53.5	51.5	47.0	44.5	39.0	17.5	36.0
	25 (1.0)		165 (.650)	3.8 (12.5)	47.0	57.0	59.5	55.0	52.5	50.5	45.5	35.5
40 (1.6)	300 (636)	60 (.236)	3.05 (10.0)	51.5	59.0	53.5	49.0	47.0	42.5	32.0	27.5	

Disclaimer: Products in this specification manual must by regulation be installed by licensed and registered trade people. The manufacturer/distributor reserves the right to vary specifications or delete models from their range without prior notification. Dimensions are nominal measurements only. Dimensions and set-outs listed are correct at time of publication however the manufacturer/distributor takes no responsibility for printing errors.