

KADO

# NEUE ARCH SHAVING CABINET



## SPECIFICATIONS

<b>Recommended Use</b>	Domestic, Hotel and Commercial
<b>Unit Material</b>	MDF MR E0 (Medium Density Fibreboard, Moisture Resistant, Rated Emission Level E0) 4mm Copper-Free Material
<b>Cabinet Colour Options</b>	Available in a large selection of colours and cabinet finishes, excludes polyurethane. Refer to website for more information.
<b>Door Colour Options</b>	Polyurethane - Matte White, Matte Feather Grey, Matte Milton Moon Grey, Matte Black.
<b>Shelves</b>	Adjustable internal shelves.
<b>Doors</b>	Soft-close doors.
<b>Inclusions</b>	Internal double power point with cord provision for utilising power point with door closed.
<b>Fixing</b>	Bolted/Screwed to the wall by a licensed tradesperson - Fixings not included.

STANDARD SIZES (mm)	500 x 900	900 x 1050	900 x 800	1200 x 800	1500 x 800
Mirror Size (mm)	500 x 900	902 x 1051	900	1200	1500
Cabinet Width (mm)	476	878	880	1180	1480
Cabinet Depth (mm)	100	100	100	100	100
Overall Depth (mm)	120	120	120	120	120
Cabinet Height (mm)	638	588	500/780	500/780	500/780
Number of Doors	1	2	3	3	4
Number of Shelves	2	2	4	4	4
Number of Powerpoints	1	1	1	1	2

Please note these are overall measurements.

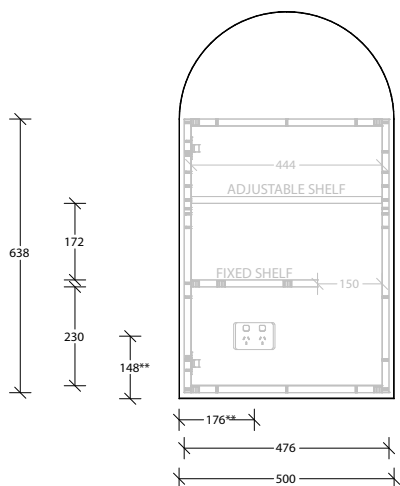
**Disclaimer:** Products in this specification manual must by regulation be installed by licensed and registered trade people. The manufacturer/distributor reserves the right to vary specifications or delete models from their range without prior notification. Dimensions are nominal measurements only. Dimensions and set-outs listed are correct at time of publication however the manufacturer/distributor takes no responsibility for printing errors.

# KADO

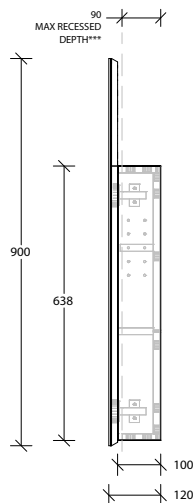
## NEUE ARCH SHAVING CABINET

### 500 X 900MM - FIXED SHELF

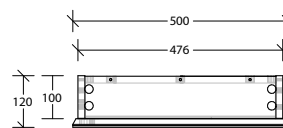
Front View



Side View

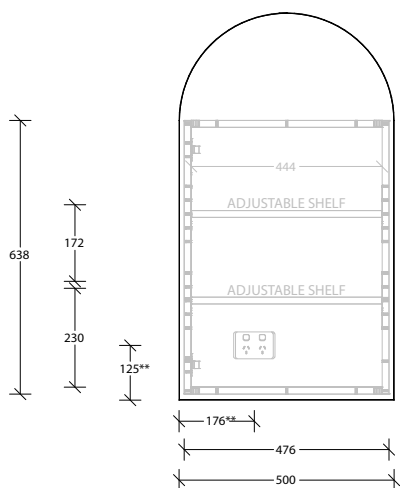


Top View

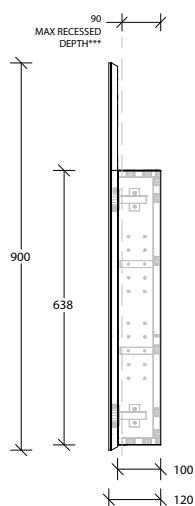


### 500 X 900MM - ADJUSTABLE SHELVES

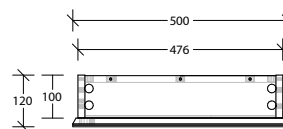
Front View



Side View



Top View



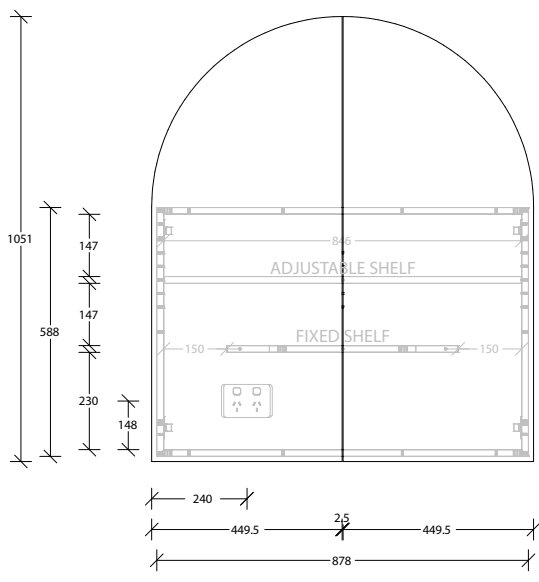
Note: Power point will always be located on the same side as the door hinge.

# KADO

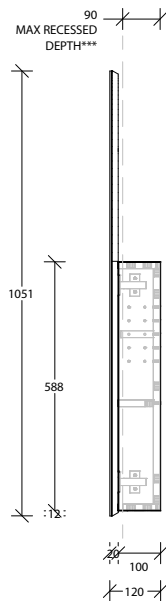
## NEUE ARCH SHAVING CABINET

**900 X 1050MM - FIXED & ADJUSTABLE SHELF**

Front View



Side View

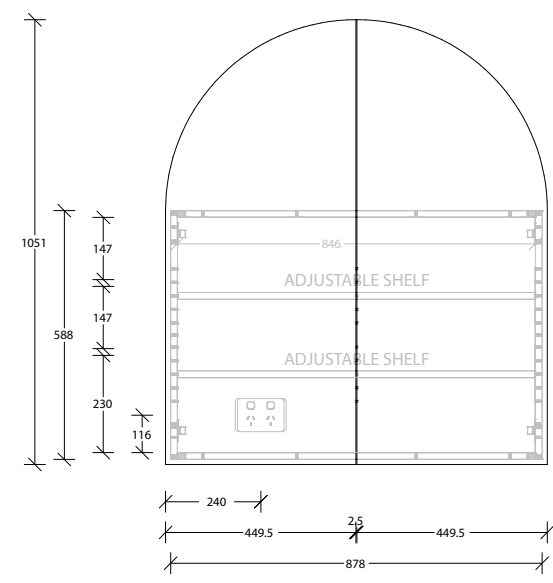


Top View

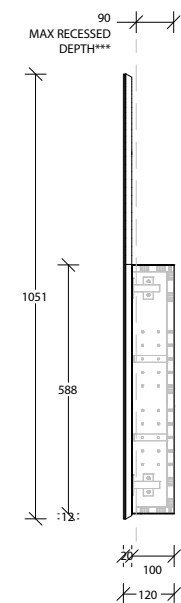


**900 X 1050MM - ADJUSTABLE SHELVES**

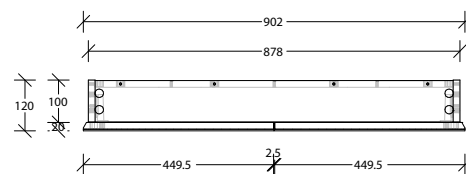
Front View



Side View



Top View



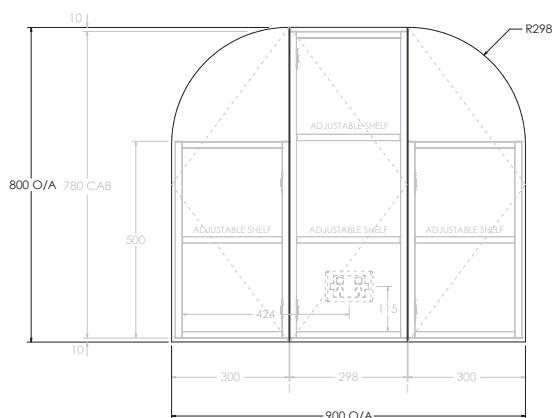
Note: Power point is available on the left or right hand side.

# KADO

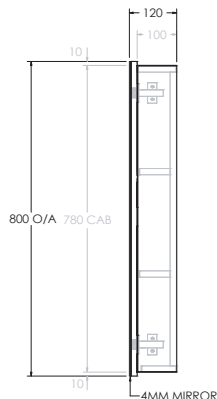
## NEUE ARCH SHAVING CABINET

### 900 X 800MM - ADJUSTABLE SHELVES

Front View



Side View

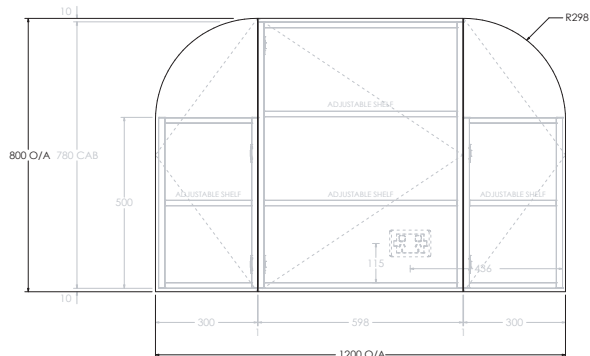


Top View

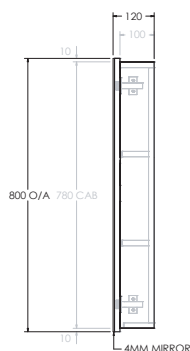


### 1200 X 800MM - ADJUSTABLE SHELVES

Front View



Side View

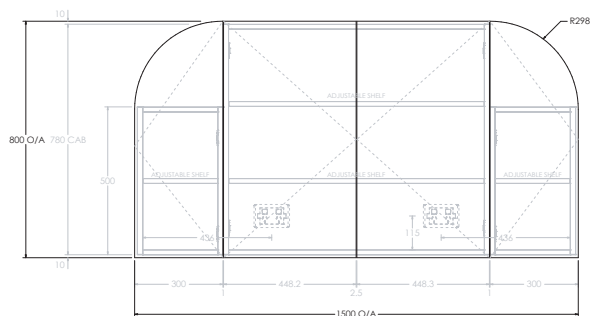


Top View

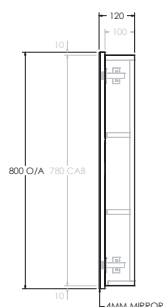


### 1500 X 800MM - ADJUSTABLE SHELVES

Front View



Side View



Top View



Note: Power point comes standard on right side of main cabinet unless otherwise specified.