

Nobili Oz T7 L Shaped Sink Mixer (4 Star)

Important Note

Mixer must be installed to the requirements of AS/NZS 3500 by a qualified plumber. Your mixer comes to you already factory assembled and tested. We do not recommend the dismantling of any internal part of the mixer. The mixers are factory tested and sealed so as to give the best performance.

INSTALLATION INSTRUCTIONS

Note

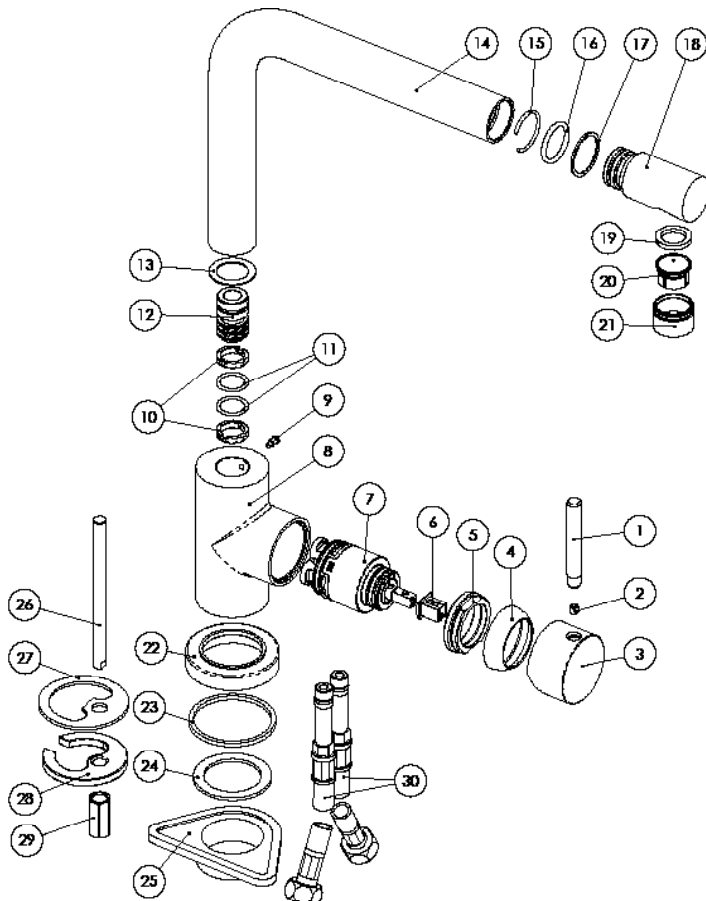
Mixer must be installed by a licenced plumber.

Important

Your mixer comes to you already factory assembled and tested.

We do not recommend the dismantling of any internal part of the mixer. The mixers are factory tested and sealed so as to give the best performance.

1. Please flush out new pipe work prior to connecting the new mixer.
2. All mixers must be installed with isolating stop cocks (Arco brand recommended).
3. In some areas where the incoming water exceeds 500kpa, an approved pressure limiting device must be installed. Equal pressure for hot and cold water supply is required for this single lever mixer.
4. Mixers are recommended for use on mains pressure and instantaneous systems only.
5. Place the base ring (22) into position on mixer body (8) and insert rubber sealing washer (23).
6. Do not use teflon tape on threads.
7. Fit the flexible hoses (30) into the mixer body (8). Ensure they are inserted correctly in corresponding hot and cold markings on mixer body.
8. Assemble the mixer on basin hole. Make sure the flexible connectors are firmly tightened to base of mixer body.
9. From underneath, fit by securing rubber washer (24), stabilising plate (25), metal horse shoe plate (28) and locking hex nut (29). Finally secure by tightening locking hex nut (29).



Exploded View

Item	Description
1	Lever
2	Grub Screw
3	Handle Body
4	Dress Ring for Cartridge
5	Cartridge Lock Nut
6	Thermal Cap
7	Cartridge
8	Mixer Body
9	Outlet Locking Screw
10-13	Outlet Fixing System
14	Outlet
15-18	Aerator Nozzel
19-21	Male Aerator
22	Base Ring
23	Rubber Washer
24	Rubber Washer
25	Stabilising Plate
26	Threaded Rod
27	Rubber
28	Metal Horse Shoe Plate
29	Locking Hex Nut
30	Flexible Hoses (Hot & Cold)