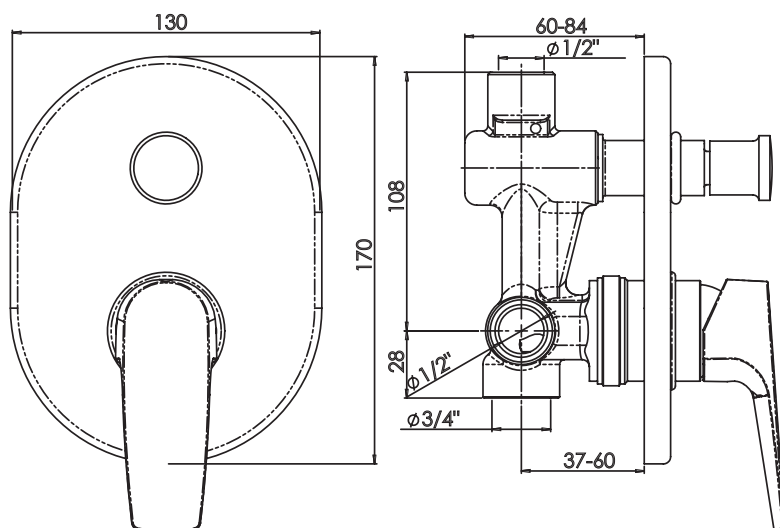


posh

POSH SOLUS MK2 SHOWER/BATH MIXER DIVERTER



SPECIFICATIONS

Recommended use	Domestic, hotel and commercial
Colour availability	Chrome
Pressure rating	Maximum continuous operating pressure 1000 kpa. Note: As per AS3500 pressure must be limited to 500 kpa on any new home, extension or renovation. Note: For best performance and longer life we recommend 150-500 kPa.
Temperature rating	Maximum continuous working temperature 65°
Suitable Hot Water Units	Storage tank: Yes Continuous Flow: Yes Gravity Feed: Not recommended
Standards	AS/NZS 3718



To see the complete Posh range go to www.reece.com.au/bathrooms

CLEANING RECOMMENDATIONS

We recommend the use of soapy water or approved cleaners. This product should not be cleaned with abrasive materials. Damage caused by any improper treatment is not covered by the product warranty - refer to Warranty Conditions.



Disclaimer: Products in this specification manual must by regulation be installed by licensed and registered trade people. The manufacturer/distributor reserves the right to vary specifications or delete models from their range without prior notification. Dimensions and set-outs listed are correct at time of publication however the manufacturer/distributor takes no responsibility for printing errors.

Published 16/04/2020

posh

reece™