

American Standard Heron Square Hygiene Rim Close Coupled Back to Wall Bottom Inlet Toilet Suite with Soft Close Quick Release Seat White (4*)

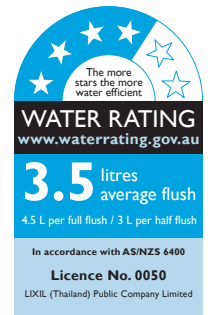
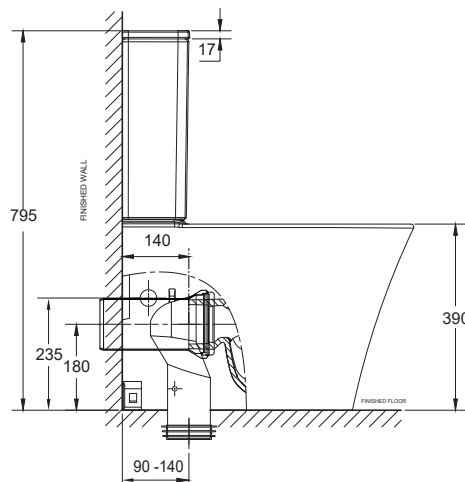
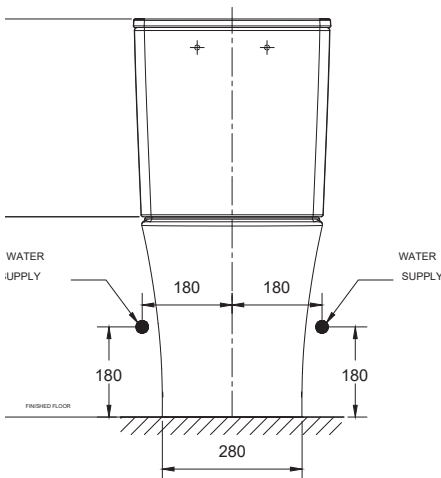
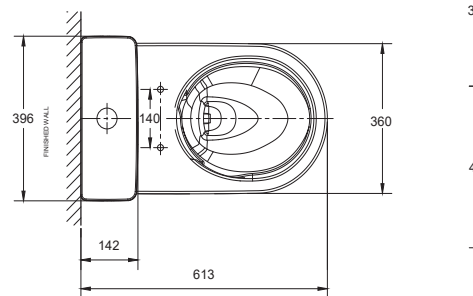
SPECIFICATIONS

Recommended Use	Domestic, Hotel & Commercial
Material	Pan: Vitreous China Cistern: Vitreous China Seat: Urea
Colour	White
Weight	Pan: 34kg Cistern: 16kg
Water Inlet Position	Bottom Inlet
Inlet Valve Pressure Rating	500kPa
Outlet Type	Universal S & P P trap (converts to S trap using plastic s bend provided)
Pan Fixing	Screwed to the floor using bracket (supplied) and bedded with sealant.
Cistern Fixing	Bolted directly to Pan
Rim Configuration	Hygiene Rim
S Trap Setout	90-140mm
P Trap Setout	180 mm
Toilet Seat	Soft Close Quick Release Seat

WARRANTY

Warranty - Domestic Use	10 Years
Spare Parts & Labour	12 Months

Please refer to Warranty Page for full Terms and Conditions



Dimensions are nominal measurements only.

Disclaimer: Products in this specification manual must by regulation be installed by licensed and registered trade people. The manufacturer/distributor reserves the right to vary specifications or delete models from their range without prior notification. Dimensions are nominal measurements only. Dimensions and set-outs listed are correct at time of publication however the manufacturer/distributor takes no responsibility for printing errors.

Published 04/06/2019