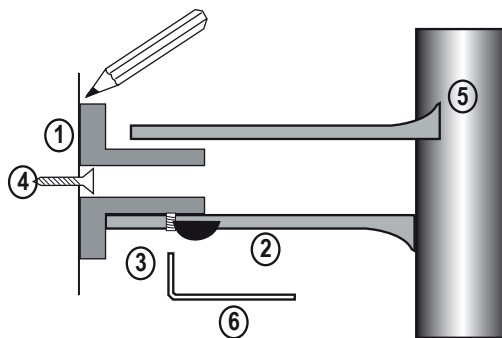


# KADO

## Kado Lussi Heated Towel Rail (PLUG) Wall Mount 730 x 800mm Chrome

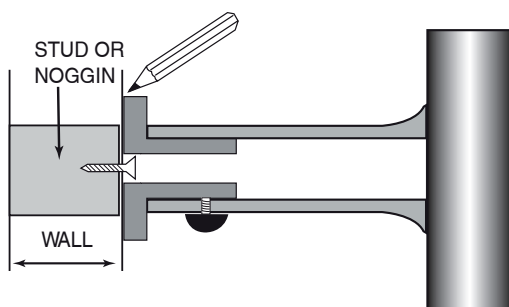
- Slide the WALL BRACKET 1 into the BRACKET ARM 2 and hold up to the wall in position.
- With a pencil, outline the WALL BRACKET 1 in the desired position and remove from the wall.
- Using a pencil and the WALL BRACKET 1, mark the centre screw hole and cross it for accuracy.
- Drill a hole for the SCREW 4 and insert nylon plug into tiled wall (if applicable). Installer may choose to use alternative screws to suit the application.
- Position WALL BRACKET 1 so that the GRUB SCREW hole faces directly down towards the floor and place SCREW 4 into the wall.



**DO NOT OVERTIGHTEN SCREW - LEAVE SLIGHT ADJUSTMENT OF THE FLANGE (SLACK) TO ENABLE MOVEMENT WHEN THE TOWEL RAIL IS POSITIONED.**

- When all of the WALL BRACKETS 1 are in place, slide the TOWEL RAIL 5 into position towards the wall, until BRACKET ARM 2 reaches the WALL BRACKET 1 .
- Insert GRUB SCREW 3 through BRACKET ARM 2 and into WALL BRACKET 1.
- With the ALLEN KEY 6 provided, tighten the GRUB SCREW until tight to ensure that towel rail stays in position.

Please ensure that the measurements are taken accurately and that the screw is in a stud or noggin to provide support. Do not overtighten screws.



1 Twin Hole Wall Bracket (BOTTOM)	4 Wall Screw *
2 Single Hole Wall Bracket (TOP)	5 HydrothermTowel Rail
3 Grub Screw	6 Allen Key & Grub Screw

\* Installer may choose not to use screw if not suitable for application.

### WARNING

All rails are individually hand made. Due to this fact some measurements may not be exact. **PLEASE READ INSTRUCTIONS CAREFULLY** and do not force towel rail into bracket if position of wall flange is not accurate.

**TOWEL RAILS MUST ALWAYS BE INSTALLED WITH THE ELEMENT PLACED AT THE BOTTOM FOR CORRECT HEAT TRANSFER**

# KADO

## Kado Lussi Heated Towel Rail (PLUG) Wall Mount 730 x 800mm Chrome

### WIRING OPTIONS

The Kado Lussi Wall Mount Series Electric Towel Rails come pre-filled with water and with electric element already fitted (standard on the left unless otherwise specified), a plug is supplied separately to be fitted by the installer.

#### Plug in version

Plug is supplied with element cable (1200mm long). Cable may be cut and plug attached to required length.

#### Hard-wired version

The cable may be hard-wired into the wall with an element attachment. This accessory is an optional extra and must be installed by a qualified electrician.

The hard-wired elements have an IPX Rating of IP55. (IPX5) for use in wet areas. It is also recommended that all electric towel rails be connected to a timer for convenience and to prolong the life of the element.

#### Double hard-wired version

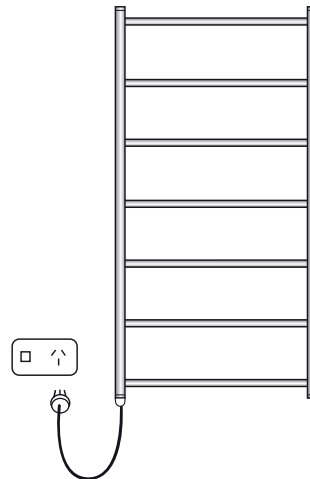
An optional second hard-wired attachment and fitting is available to match the existing single hard-wire attachment.

All Elements carry the following approvals.

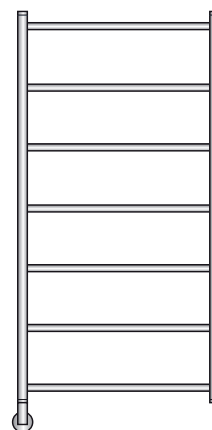


Elements have a built in thermostat and internal cut out ensuring safety and energy efficiency.

The electric elements can be supplied as 240v or 110v. All electric elements are replaceable and can be easily changed over.

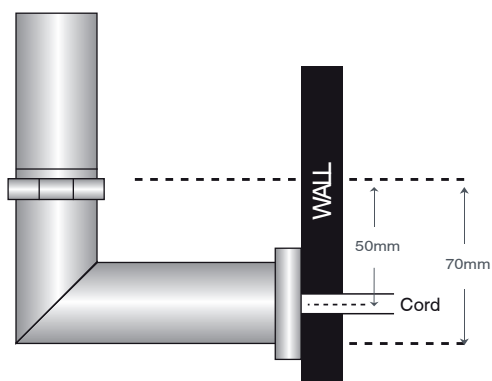


PLUG IN VERSION



HARD-WIRED VERSION

HARD-WIRE ATTACHMENT



DOUBLE HARD-WIRED VERSION

# KADO

## Kado Lussi Heated Towel Rail (PLUG) Wall Mount 730 x 800mm Chrome

### HARD WIRING

It is recommended that all hard-wired heated towel rails be connected to a light switch or digital timer. Connecting hard-wired heated towel rails to a light switch or a timer will prolong the life of the electric element and reduce energy consumption.

### CHANGING ELEMENTS

To change an element from one side to the other, or to replace an old element is a very simple process.

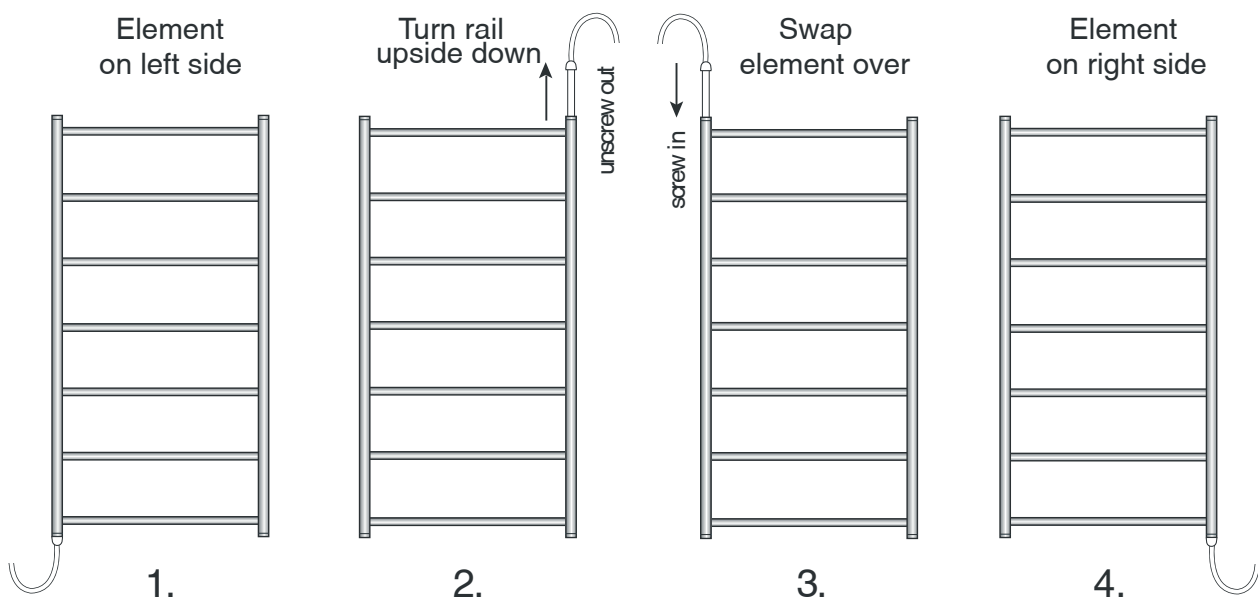
#### There are Four Basic Steps:

1. Remove towel rail from brackets (if already installed)
2. Turn the towel rail upside down and with a spanner loosen the hex nut of the electric element. When the element is loose, unscrew it by hand. If you are changing the element from left to right (or vice versa) the internal plug on the opposite side must also be removed and swapped over with the element.
3. Swap the element and screw in place.
4. Turn the towel rail the right way up and position back into brackets and refit grub screws to secure

#### Please note:

It is advised that the unit be removed from the wall and turned upside down to ensure that water does not spill out.

**Ensure element always remains at bottom of towel rail.**



# KADO

## Kado Lussi Heated Towel Rail (PLUG) Wall Mount 730 x 800mm Chrome

### WARNING

This product must be installed by a qualified electrician in accordance with AS/NZS 3000 wiring rules. Switch off the electrical supply at the mains before installation and maintenance. A means of disconnection must be incorporated in the fixed wiring in accordance with the wiring rules. Suitable for bathroom and non-bathroom/dry areas. Not suitable for above baths, nor for installation in saunas, steam rooms or shower cubicles. Please consult with a qualified electrician to confirm appropriate compliant installation location.

Do not connect to a plug and socket outlet. Rated IPX5 and suitable for indoor use only. Do not fix to damp or conductive surfaces. Site well away from curtains and fabrics. Switch off after use. Do not leave on for prolonged periods. This appliance is not to be used by persons (including children) with reduced physical, sensory or mental capabilities.

Please consult with a qualified electrician to confirm appropriate compliant installation location.



### WARNING:

This appliance is not intended for use by young children or infirm persons without supervision.

### CAUTION:

The cord extension set must be positioned so that it is not subject to splashing or ingress of moisture.

The supply shall have means for disconnection with an air gap in all active conductors incorporated in the fixed wiring according to the Wiring Rules in AS/NZS 3000:2000.

### CLEANING RECOMMENDATIONS

We recommend the use of soapy water or approved cleaners.

This product should not be cleaned with abrasive cleaners.

Damage caused by improper treatment is not covered by the product warranty. Refer to Warranty Conditions.

Please ensure a copy of the installation instructions is left with the end user for future reference.