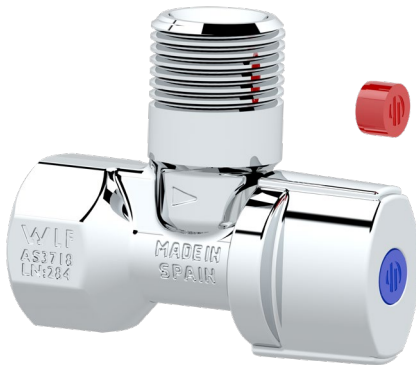




MINI STOP VALVE LEAD FREE

VITAQ MINI STOP is quarter turn angle valve with anti-lime system inside.

- **VITAQ system:** more life less lime scale at higher temperatures:
 - Increase your installation life span.
 - Smoother open/close operation.
 - Eliminating lime scale from building up over time.
- Metal handle with inox screw and double index: Compact and chrome plated for more endurance. Each part includes one red and one blue index.
- One piece stamped body, compact and resistant.
- Double o-ring on ball-stem to secure external leak tightness.
- 100% leak tested in factory. Double tested low and high pressure.



TECHNICAL DATA SHEET MINI STOP VALVE

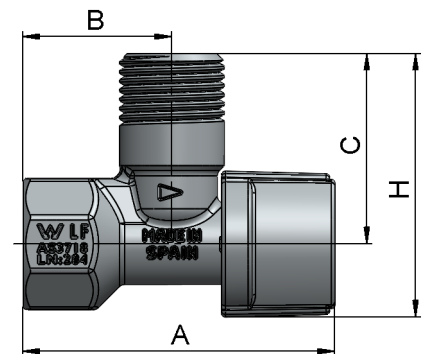
PRODUCT SCOPE

Quarter turn mini stop valves 15 mm x 15 mm installed upstream of a terminal fitting to shut off water supply in a quick and safe way isolating the device to service or repair. Intended for use in residential and commercial potable water distribution networks. It includes VITAQ system for preventing lime scale problems.

GENERAL DIMENSIONS, PRESSURE & TEMPERATURE

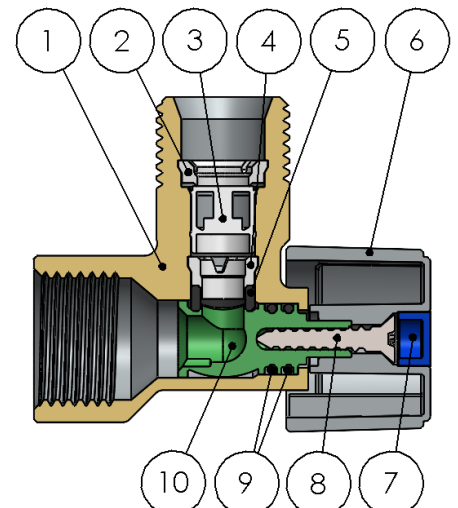
Code	Size	A (mm)	B (mm)	C (mm)	H (mm)	PN (KPa)	Temp. range (°C) (*)
AS571	1/2F x 1/2M	62	30	38	52	1.600	0 up to 80

(*) For continuous hot water use up to 80°C (excluding freezing)



MATERIALS

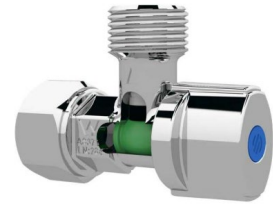
Item	Component	Material	Finishing
1	Body	CW511L Brass	Chrome plated
2	Supporting clip	POM	-
3	Check valve	POM & Inox	-
4	Supporting clip	POM	-
5	Seat	NBR	-
6	Handle	ZAMAK	Chrome plated
7	Index	ABS	Blue / Red
8	Screw	Stainless steel	-
9	O-ring	EPDM	-
10	Ball-stem	Anti-lime Polymer	VITAQ



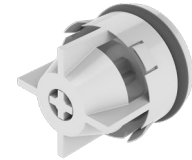
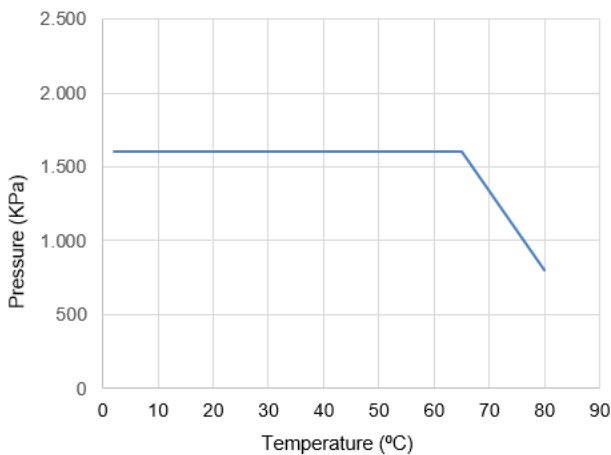
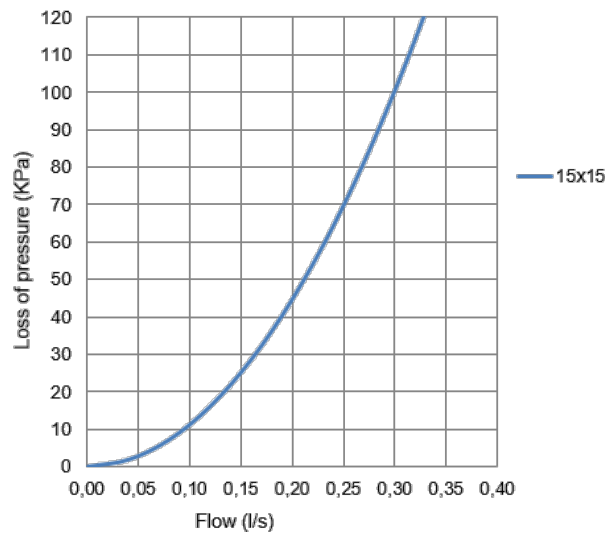

OTHER FEATURES
VITAQ SYSTEM

The system created to solve problems of limescale in installations, extending the valves service life by protecting them from the main pain points in any installation:

- Handle blocking. After several years limescale can block the valve manoeuvre, making difficult the downstream devices maintenance or repair. VITAQ system avoids the blocking by preventing the lime scale growth.
- Bore reduction. Lime scale can grow up and reduce the bore of the valve, VITAQ system keeps the flow rate over the time.


NON RETURN VALVE

These valves incorporate a check valve system according to standard AS/NZS 2845.1:2022. The integrated check valve is installed close the outlet of the valve prevents from backflow from down stream network and devices, resulting in safer water.


TECHNICAL DATA
Pressure vs temperature

Hydraulic features. Flow vs Loss of pressure

Compatibility with fluids

Fluid	Compatibility
Drinking water	Excellent

For any other fluid, please contact Arco technical Service.

Size	15 x 15
Kv	1,08

Kv (m³/h), cubic meters per hour that flow through the valve generating a loss of pressure of 1 bar.

INSTALATION INSTRUCTIONS

This product is designed to be used in drinking water supply, in compliance with the Lead-Free requirements of the National Construction Code Volume 3. For installation refer to AS/NZS 3500.

1. Switch off flow of water to the installation area.
2. Apply sealing material tape to the thread of the inflow pipe.
3. Thread the valve onto the inflow pipe.
4. Connect hose to fixture and to the outflow connection of the valve, ensure that connections are watertight.
5. Check operation of valve by turning the handle a full quarter turn to ensure connections are watertight.

These valves are intended to work in full open or full close position, intermediate positions may damage them.



All products have an environmental impact during its life cycle, even once retired. All the components of this product can be recycled. Once the use is over, leave the valve in any recycling green point. Válvulas Arco reserves the right to change the product or any of its technical specifications without prior notice.

FT01510ING – Edition 2024-07