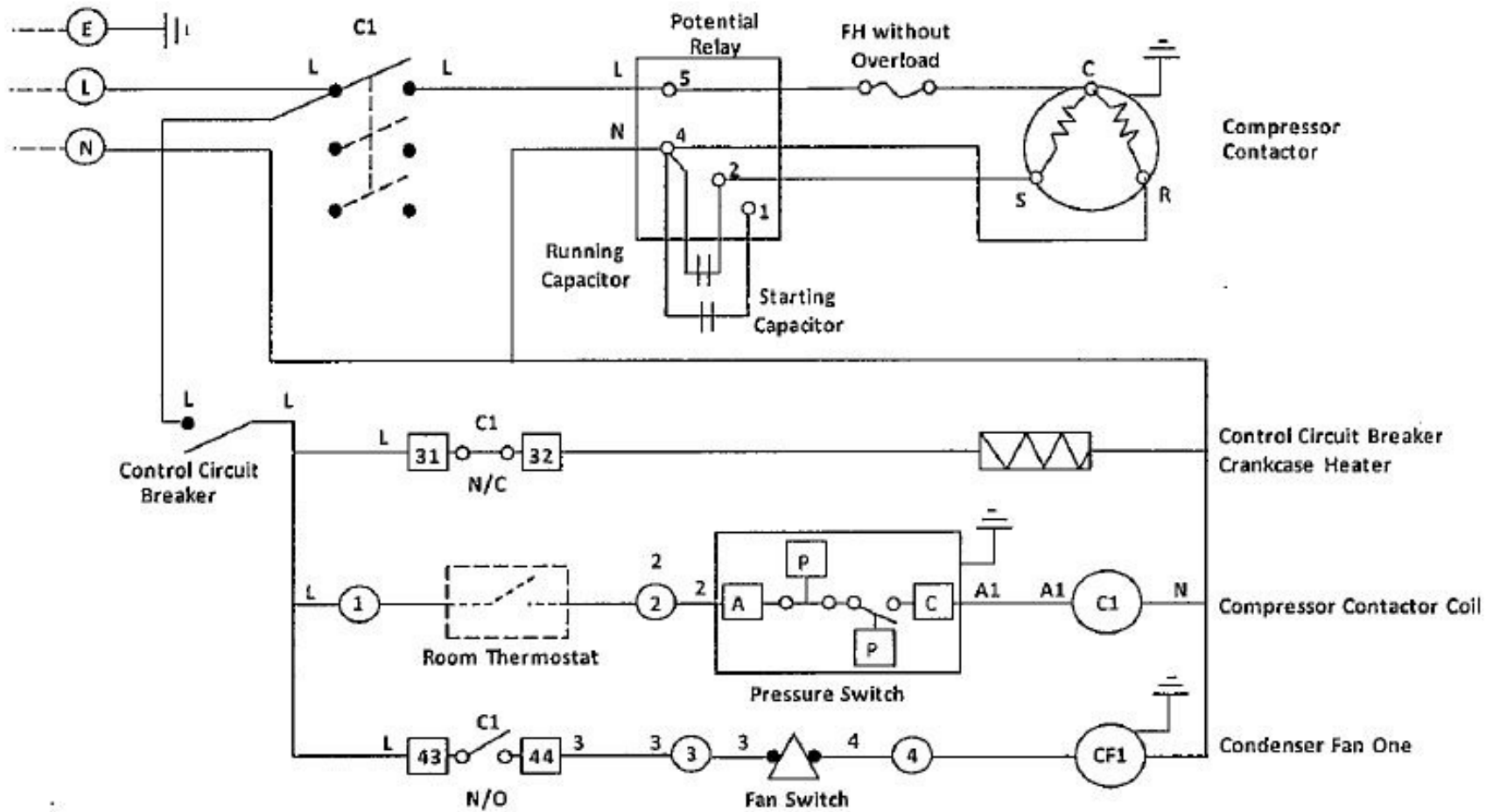


COMPAC 1 PHASE CAJ & FH (CSR) POTENTIAL RELAY R134a



① - Terminal Number
 --- - Suggested Field Wiring