



Milli Mood Edit Vertical Heated Towel Rail 900 x 38mm

WARNING

This product must be installed by a qualified electrician in accordance with AS/NZS 3000 wiring rules. Switch off the electrical supply at the mains before installation and maintenance. A means of disconnection must be incorporated in the fixed wiring in accordance with the wiring rules. Suitable for bathroom and non-bathroom/dry areas. Not suitable for above baths, nor for installation in saunas, steam rooms or shower cubicles. Please consult with a qualified electrician to confirm appropriate compliant installation location.

Do not connect to a plug and socket outlet. Rated IPX5 and suitable for indoor use only. Do not fix to damp or conductive surfaces. Site well away from curtains and fabrics. Switch off after use. Do not leave on for prolonged periods. This appliance is not to be used by persons (including children) with reduced physical, sensory or mental capabilities.

INSTALLATION INSTRUCTIONS

Please consult with a qualified electrician to confirm appropriate compliant installation location.

Power Entry:

Power cable if hung vertically must always be positioned at the bottom, never at the top.

If hung horizontally it can be installed with the cable on either side.

Plumbers, please ensure a copy of the installation instructions is left with the end user for future reference.

Milli Mood Edit Vertical Heated Towel Rail 900 x 38mm

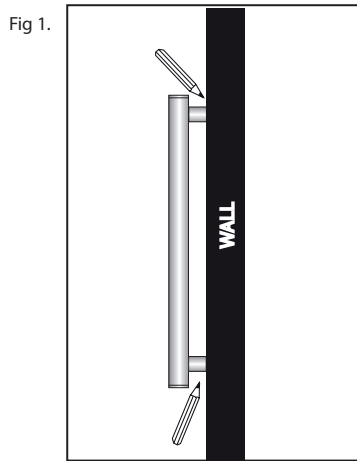


Fig 1.

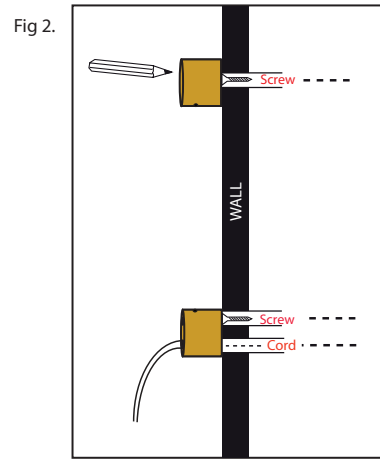
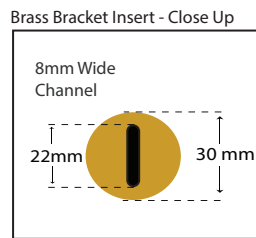


Fig 2.

Hold Towel Rail in desired position against wall, with a pencil draw an outline around both bracket arms. Fig 1.

Take brass bracket insert and place against wall in outlined circle. Feed wall cable through wall mount channel. Using a pencil mark the screw hole position and cross it for accuracy. Mark screw hole for second brass bracket insert. Fig 2.

Drill screw holes for both brackets, insert nylon plug into wall (if applicable). If tiled wall installer MUST use a DIAMOND HEAD drill bit. Position wall bracket so that GRUB SCREW HOLES face inwards. Fig 2.

A qualified electrician must then connect towel rail element to existing wall cable.

Please ensure that the measurements are taken accurately and that the screw is in a stud or noggin to provide support. DO NOT overtighten screws.

Please ensure a DIAMOND HEAD drill bit is used to drill screw and cord holes into tiled wall.

Hydrotherm take pride in the fact that all rails are individually hand made. Due to this fact some measurements may not be exact. PLEASE READ INSTRUCTIONS CAREFULLY and do not force towel rail into bracket if position of wall flange is not accurate.

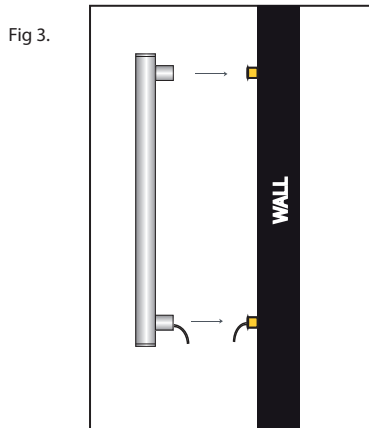


Fig 3.

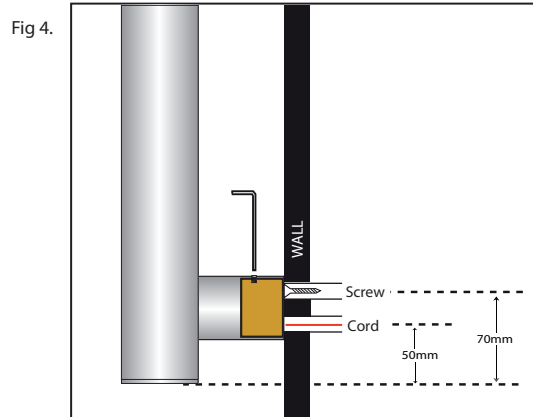


Fig 4.

Place Towel Rail in correct position over mounted brackets, secure unit in place by tightening grub screw on inside of each bracket arm with Alan key provided. Fig 3. and Fig 4.

DO NOT OVERTIGHTEN SCREW - LEAVE SLIGHT ADJUSTMENT OF THE FLANGE (SLACK) TO ENABLE MOVEMENT WHEN THE TOWEL RAIL IS POSITIONED.



TOWEL RAILS MUST ALWAYS BE INSTALLED WITH THE ELECTRIC ELEMENT POSITIONED AT THE BOTTOM OF THE UNIT FOR CORRECT HEAT TRANSFER



Milli Mood Edit Vertical Heated Towel Rail 900 x 38mm



REPLACING ELEMENT

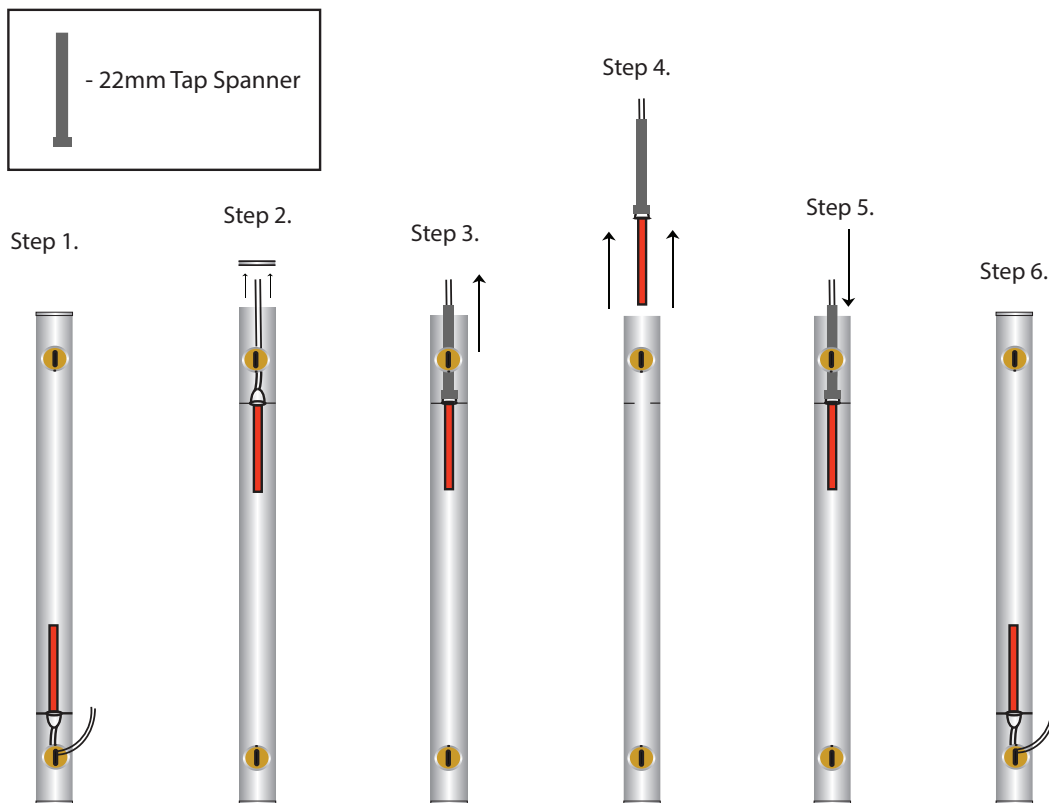
Replacing an old element is a very simple process. All electrical wiring must be carried out by a licensed electrician.

There are Six Basic Steps:

1. You will need to obtain a 22mm tap spanner. Remove towel rail from brackets (if already installed).
2. On the side with the element cable remove push-on cap, and pull element cable through end.
3. Feed cable through spanner until you reach element hex nut.
4. Loosen element with spanner and remove.
5. Insert new element and screw in place with spanner until tight.
6. Feed element cable back through bracket hole, and refit push-on cap. Towel Rail is now ready to be re-installed.

Please note:

Hydrotherm advise that the unit be removed from the wall and turned upside down to ensure that water does not spill. Ensure element always remains at bottom of Towel Rail if being installed vertically.





Milli Mood Edit Vertical Heated Towel Rail 900 x 38mm



HARD WIRING

Hydrotherm recommends that all hard-wired heated towel rails be connected to a light switch or timer.

Connecting hard-wired heated towel rails to a light switch or timer will prolong the life of the electric element and reduce energy consumption.

Hydrotherm recommend the brand HPM and the model XLP770TRT, this particular unit is designed specifically for heated towel rails that is incorporated into a light switch panel.



TOWEL RAILS MUST ALWAYS BE INSTALLED WITH THE ELECTRIC ELEMENT POSITIONED AT THE BOTTOM OF THE UNIT FOR CORRECT HEAT TRANSFER

