



Memo Hugo Single Bowl Sink No Taphole Stainless Steel

2402704

SPECIFICATIONS

Recommended Use	Domestic, hotel and commercial
Material	Stainless Steel (304 Grade)
Gauge	1.2 mm
Finish	Satin
Bowl Type	Single Bowl
Bowl Configuration	No Drainer
Sink Installation	Inset / Undermount
Waste Type	Basket Waste
Overflow Configuration	No Overflow
Sink Formation	Welded
Taphole Configuration	No Taphole
Fixing	Clipping System

WARRANTY

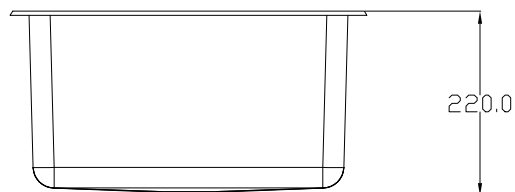
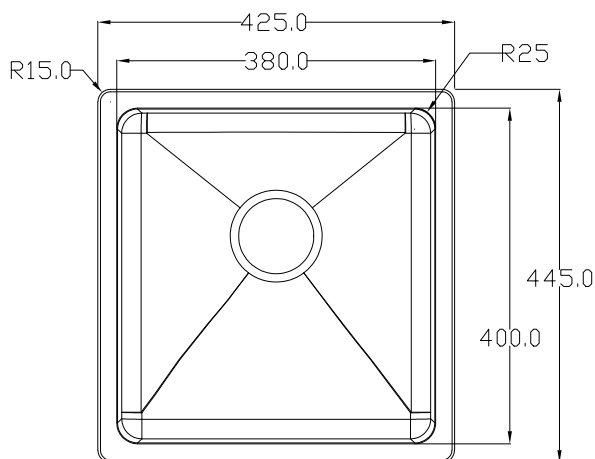
Warranty - Domestic Use	30 Years
Spare Parts & Labour	12 Months

Please refer to Warranty Page for full Terms and Conditions



Sinks must be installed using a cutout template. No responsibility will be taken for damage that occurs where a template has not been used.

Due to plating process, colour may differ slightly between sinks.



Dimensions are nominal measurements only.

CLEANING RECOMMENDATIONS:

We recommend the use of soapy water or approved cleaners. This product should not be cleaned with abrasive materials. Damage caused by any improper treatment is not covered by the product warranty. Refer to Warranty Conditions

Disclaimer: Products in this specification manual must by regulation be installed by licensed and registered trade people. The manufacturer/distributor reserves the right to vary specifications or delete models from their range without prior notification. Dimensions are nominal measurements only. Dimensions and set-outs listed are correct at time of publication however the manufacturer/distributor takes no responsibility for printing errors.

Published 19/06/2020

To see the complete Memo range go to www.reece.com.au

