

Liano Nexus 750 Left/Right Hand Shelf

WALL HUNG BASIN/SHROUD INSTALLATION INSTRUCTIONS PLEASE READ CAREFULLY BEFORE INSTALLATION

IMPORTANT

Provide suitable reinforcement behind finished wall for the basin D.200 Fixing at the fixing height position.

Roughing in for D.200 Fixing Kit :

For timber stud walls, nogginns and studs must be positioned at a height to allow for the location of fasteners as detailed in **Fig. 1**.

BASIN INSTALLATION WITH D.200 FIXING KIT

- 1- Mark fixing screw hole position on finished wall at the recommended height as detailed in **Fig. 1**.
Please note: Left Hand Shelf and Right Hand Shelf have hole position offsets mirrored. Ensure correct fixing screw hole position is followed.
- 2- Drill two Ø12mm holes in masonry wall for expansion fasteners. For timber stud walls drill two Ø8mm holes for Fixing Screws.
- 3- Insert expansion fasteners into the drilled holes in masonry wall. The Fixing Screws, should be screwed into the wall using the flat section of the Fixing Screw, with a spanner as shown in **Fig. 2**.
- 4- Locate basin onto the Fixing Screws on the wall. Insert plastic bushes, metal washers and fasten to wall with fixing nut. To complete assembly as detailed in **Fig. 3**.
- 5- The Plastic Bush allows for leveling adjustment if required by rotating the hexagonal head bush, the basin will be slightly raised or lowered as shown in **Fig. 3**.
- 6- Fit taps and waste assembly to the basin.
- 7- Tighten fixing nuts and connect plumbing to complete the installation.

OPTIONAL SHROUD SHROUD INSTALLATION

- 1- Fix the Concealed Fixing Bracket (supplied) to the wall, as detailed in **Fig. 4**.
- 2- Ensure basin is secured and plumbing is connected. The brass elbow shown in **Fig. 3** should only be used on 3 tap hole basins with shroud (not supplied).
- 3- Gently position the shroud into position beneath the basin and locate the plastic fixing sleeves (supplied) into the holes each side of the shroud. Screw the fixing studs into the concealed fixing bracket and tighten with an allen key (not supplied) to mount the shroud to the wall.

IMPORTANT: DO NOT OVER TIGHTEN, AS THIS MAY CRACK THE SHROUD SIDE.

- 4- Check shroud is level and secured against basin. Snap on plastic cap (supplied).

Wall Hung Basin D.200 Basin Fixing Kit

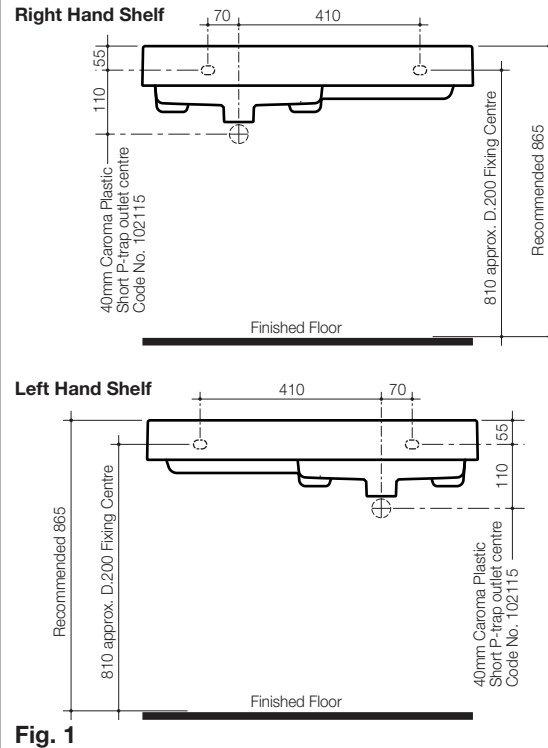


Fig. 1

D.200 Basin Fixing Kit Completed Installation

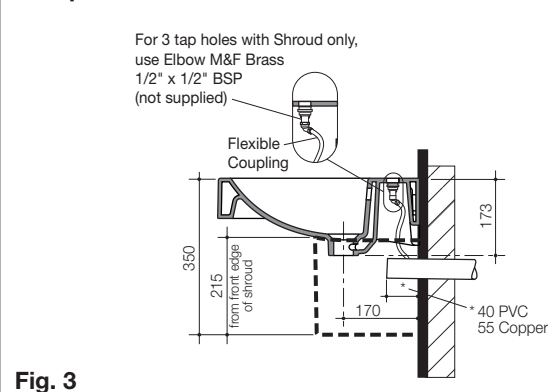
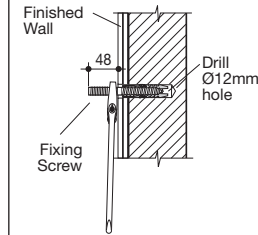


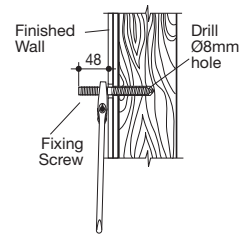
Fig. 3

IMPORTANT:

Fixing Screw Masonry Walls Installation



Fixing Screw Timber Stud Walls Installation



D.200 Basin Fixing Kit

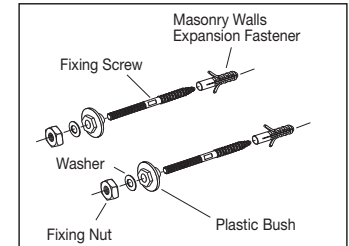


Fig. 2

Shroud Fixing

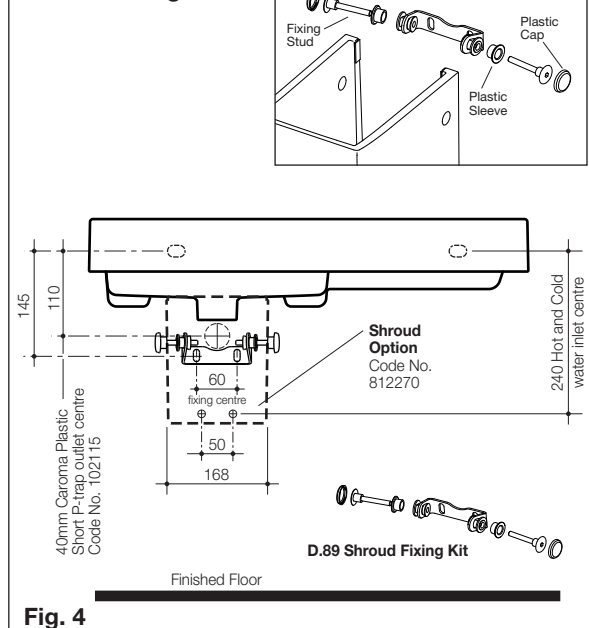


Fig. 4