

BAU EDGE  
WALL BASIN TRIMSET  
MODEL# 29219001

Pure Freude  
an Wasser

GROHE

## Product Specifications



### Product Description:

#### **BauEdge**

Wall basin mixer trim set

Concealed Inwall Body for final installation - 23842000  
wall mounted consisting of:

set for final installation metal lever

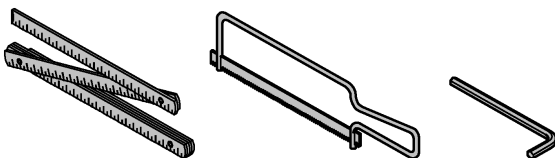
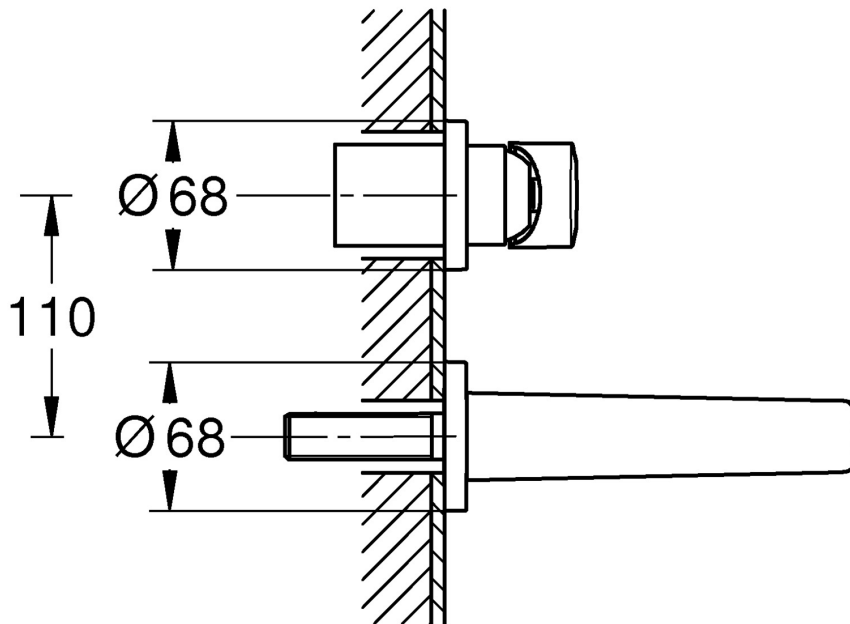
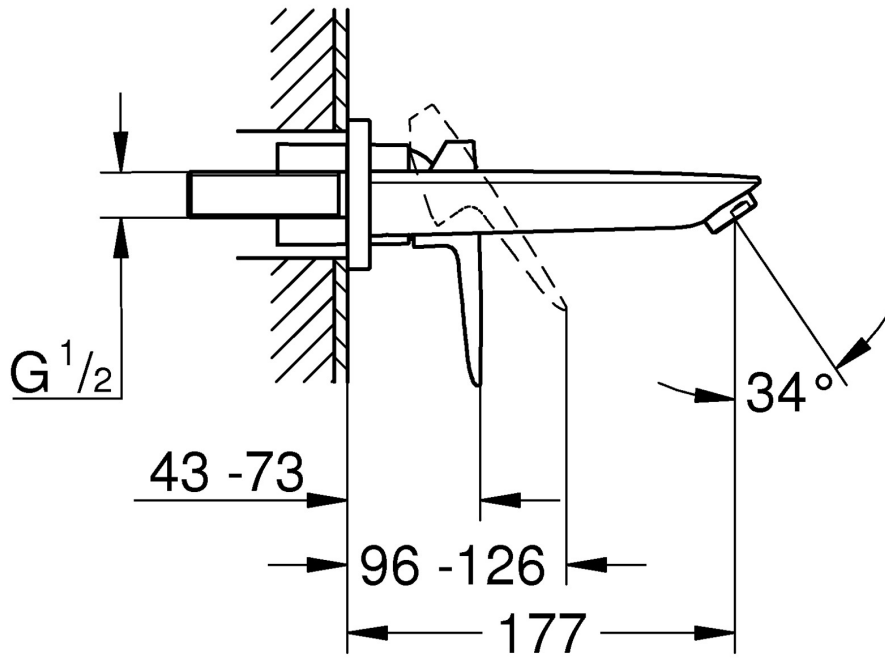
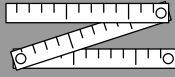
**GROHE Longlife** 35 mm ceramic cartridge

**GROHE StarLight** chrome finish

center distance 110 mm

projection 177 mm





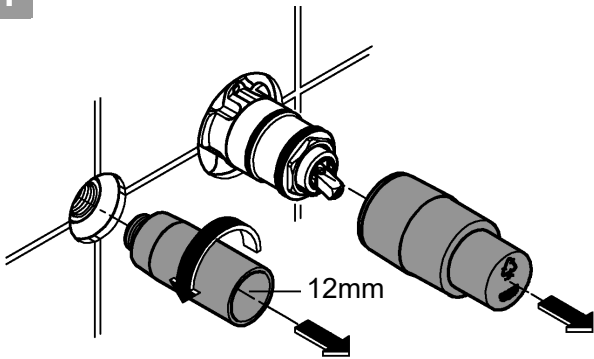
\*19 332

32mm

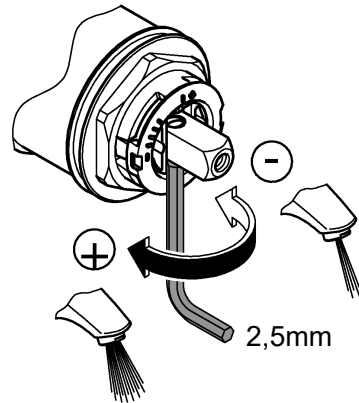




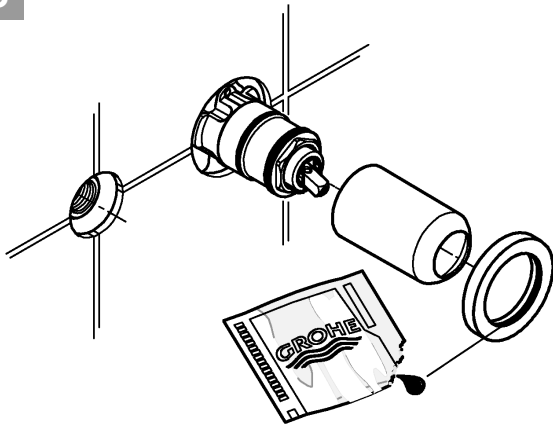
1



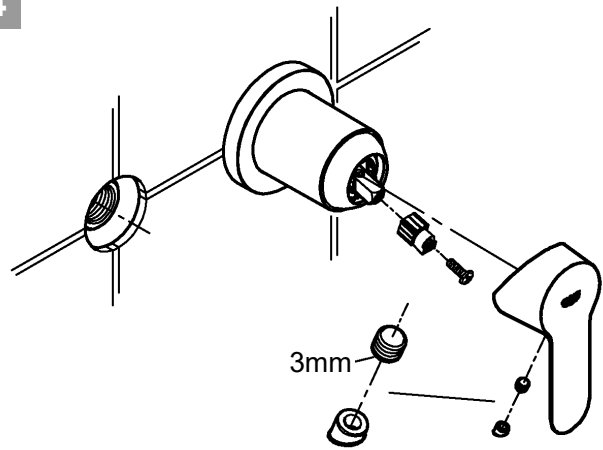
2



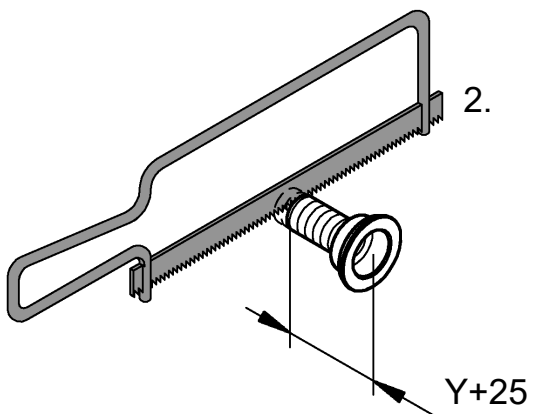
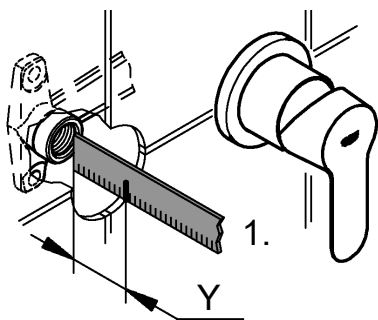
3



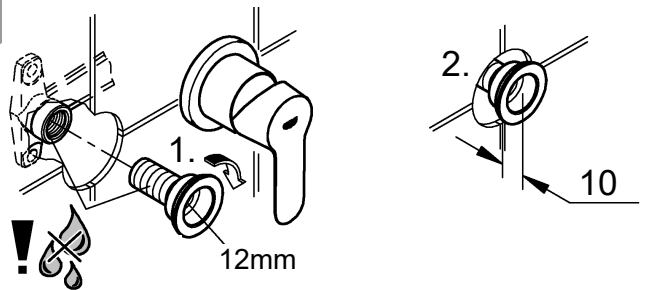
4



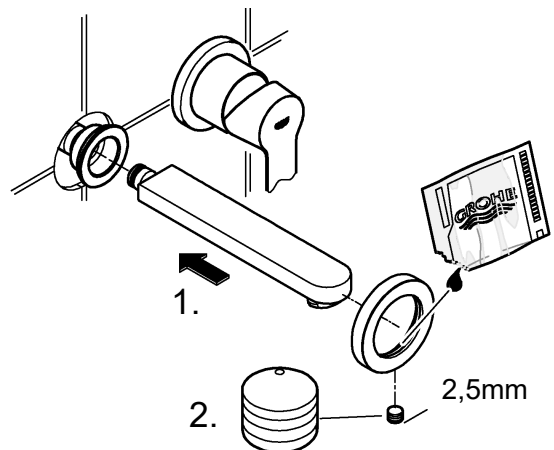
5

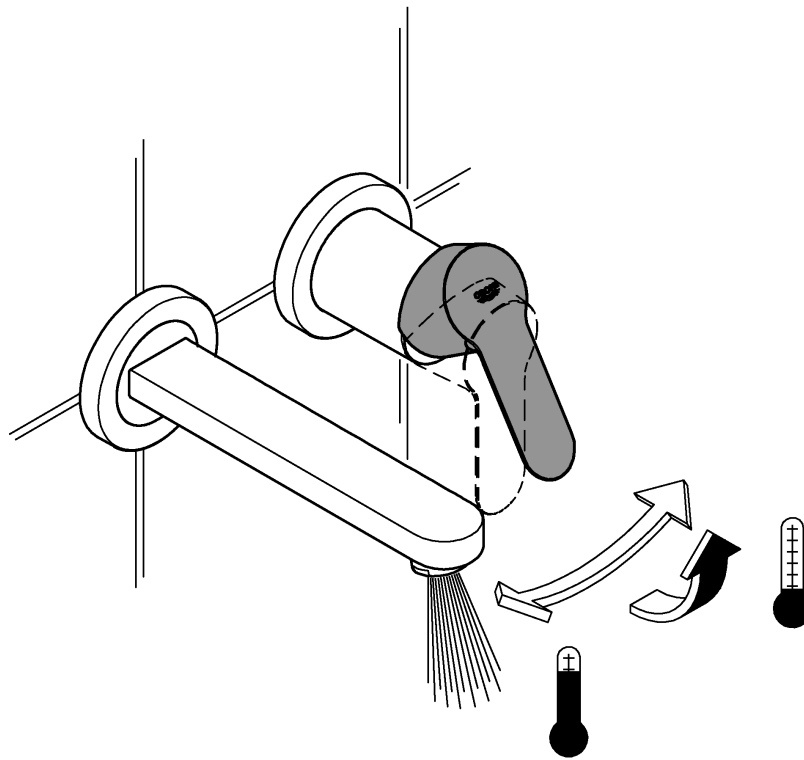
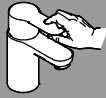



6

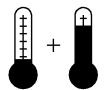
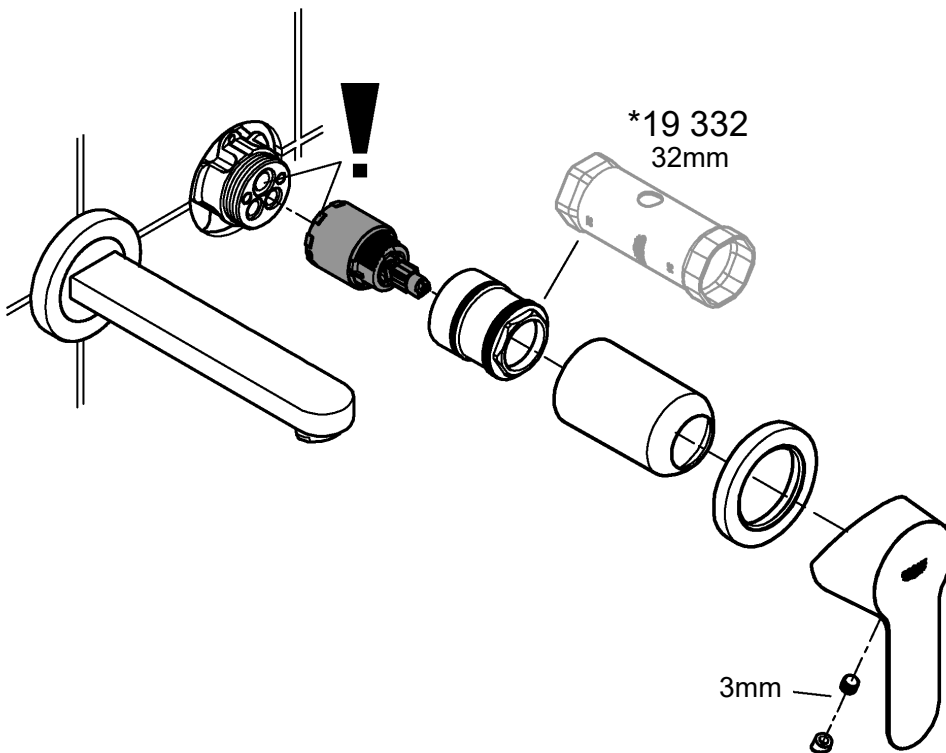


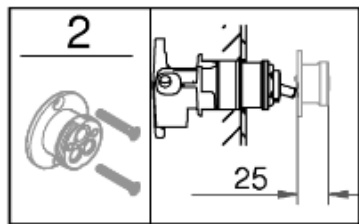
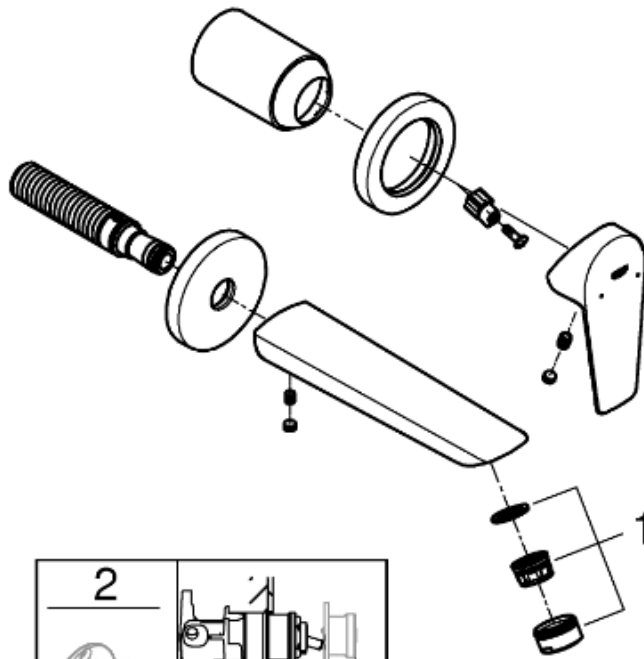
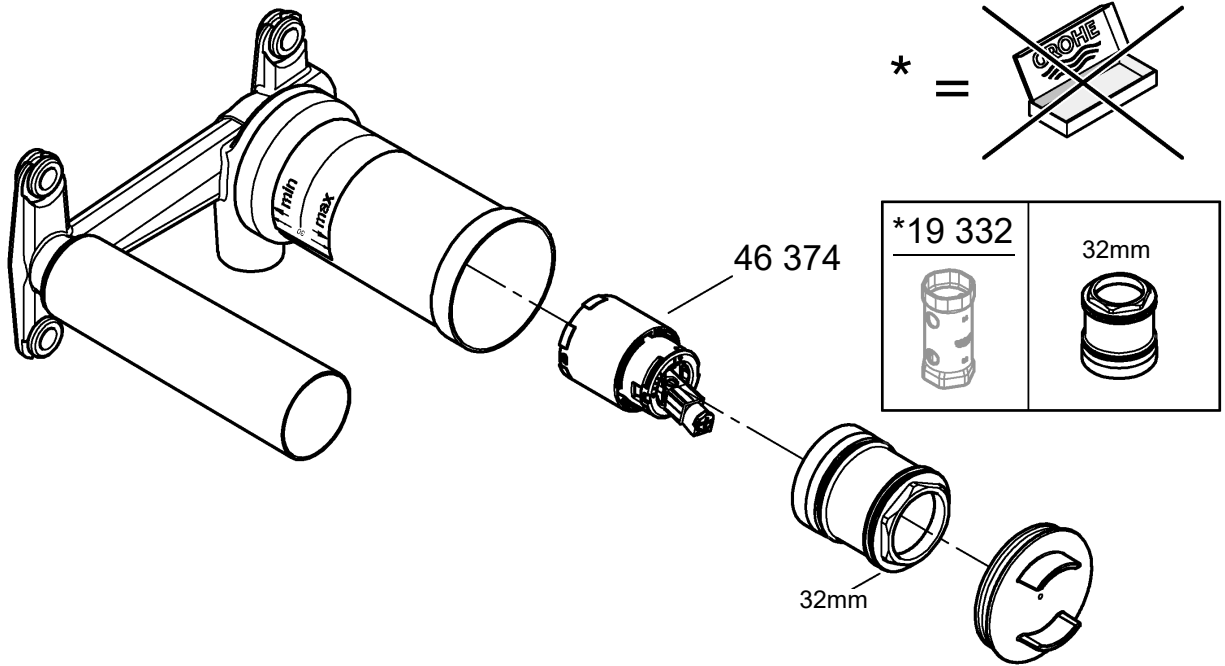
7





MAINTENANCE 





## Application

- To be installed with 32635000

Can be used in conjunction with:

- Pressurised storage heaters
- Thermally controlled instantaneous heaters
- Hydraulically controlled instantaneous heaters

Operation with unpressurised storage heaters (open water heaters) is **not** possible.

## Specifications:

- Flow pressure min. 50 kPa - recommended 100 - 500 kPa
- Operating pressure max. 1000 kPa
- Test pressure 1600 kPa

If static pressure is greater than 500 kPa, fit pressure reducer. Avoid major pressure differences between hot and cold water supply.

- Flow rate at 300 kPa flow pressure approx. 25 L/min
- 29 220:

- Temperature (maximum) 70 °C
- Hot water inlet: (energy saving) 60 °C
- Recommended:
- Thermal disinfection possible



## Installation

**Flush piping system prior and after installation of fitting thoroughly (Consider EN 806)!**

This product must be installed in conformance with local codes e.g. AS/NZS 3500 series of standard!

**Installation**, see Fig. [1] - [7].

Refer to the dimensional drawing.

1. Determine dimension "Y" from upper edge of concealed mixer housing to the face of tiles.
2. Cut connection nipple to length so that the installation dimension is "Y" + 25mm.

Using a 12mm allen key, screw the connection nipple into the concealed housing so that the installation dimension is **10mm**. Tighten spout from below using a 2.5mm allen key.

**Open cold and hot-water supply and check connections for watertightness!**



**Check fitting for correct operation.**



## Flow rate limiter.

This mixer is fitted with a flow rate limiter, permitting an infinitely individual variable reduction in the flow rate. The highest possible flow rate is set by the factory before despatch.

**The use of flow rate limiters in combination with hydraulic instantaneous water heaters is not recommended.**



## Maintenance

Inspect and clean all parts, replace as necessary and grease with special grease.

**Shut off cold and hot water supply!**

## Replacing the cartridge.

Assemble in reverse order.

**Observe the correct installation position!**

Make sure that the cartridge seals engage in the grooves on the housing. Screw in and tighten screwing.



**Replacement parts** (\* = special accessories).

## Care

For directions on the care of this fitting, refer to the accompanying Care Instructions.

**AUS**

Reece Australia Pty Ltd

Tel.: +61 3 9274 0000

Email:

admin@reece.com.au



**NZ**

Monaco

Tel.: +64 9 415 6000

Email:

sales@monacocorp.co.nz

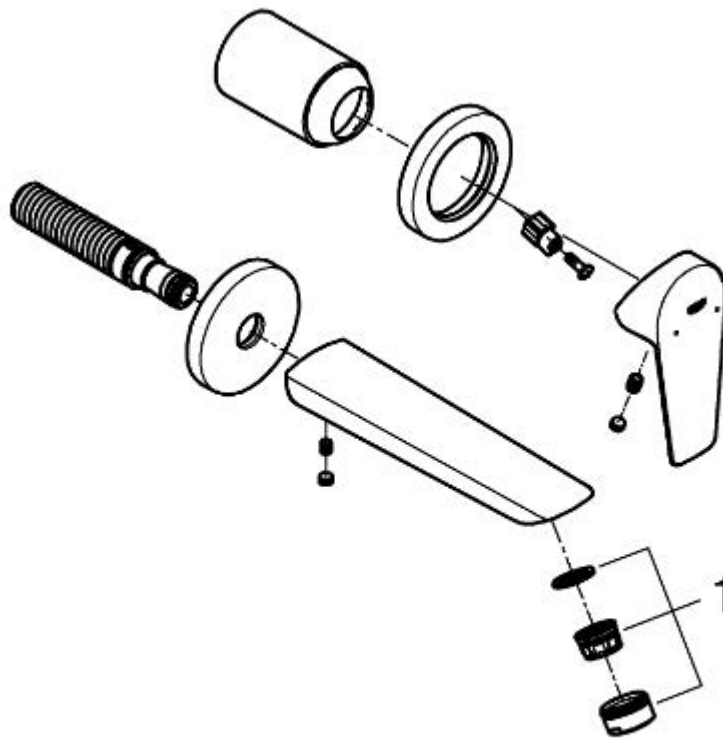
BAU EDGE  
WALL BASIN TRIMSET  
MODEL 29219000

*Pure Freude  
an Wasser*



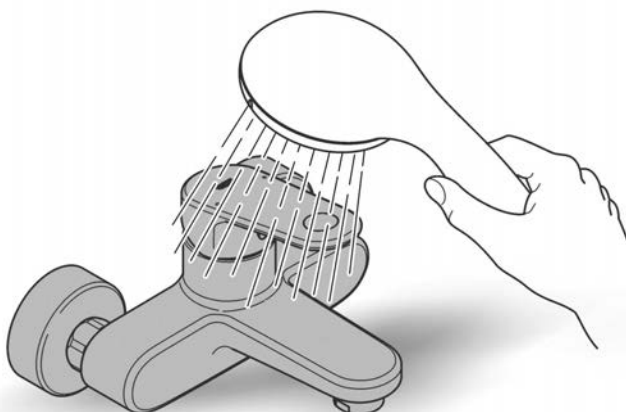
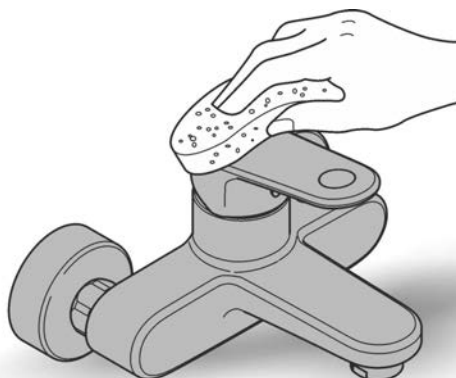
Spare Parts

Pos.-nr.	Product Description	Order-nr.	Units per package
1	Mousseur	13960000	1





48166000



SpeedClean





Pure Freude  
an Wasser

**GROHE**  


**D**

+49 571 3989 333  
impressum@grohe.de

**A**

+43 1 68060  
info-at@grohe.com

**AUS**

+1300 054 945  
grohe\_australia@lixil.com

**B**

+32 16 230660  
info.be@grohe.com

**BG**

+359 2 9719959  
grohe-bulgaria@grohe.com

**CAU**

+99 412 497 09 74  
info-az@grohe.com

**CDN**

+1 888 6447643  
info@grohe.ca

**CH**

+41 448777300  
info@grohe.ch

**CN**

+86 21 63758878

**CY**

+357 22 465200  
info@grome.com

**CZ**

+420 277 004 190  
grohe-cz@grohe.com

**DK**

+45 44 656800  
grohe@grohe.dk

**E**

+34 93 3368850  
grohe@grohe.es

**EST**

+372 6616354  
grohe@grohe.ee

**F**

+33 1 49972900  
marketing-fr@grohe.com

**FIN**

+358 10 8201100  
teknocalor@teknocalor.fi

**GB**

+44 871 200 3414  
info-uk@grohe.com

**GR**

+30 210 2712908  
nsapountzis@ath.forthnet.gr

**H**

+36 1 2388045  
info-hu@grohe.com

**HK**

+852 2969 7067  
info@grohe.hk

**I**

+39 2 959401  
info-it@grohe.com

**IND**

+91 124 4933000  
customercare.in@grohe.com

**IS**

+354 515 4000  
jonst@byko.is

**J**

+81 3 32989730  
info@grohe.co.jp

**KZ**

+7 727 311 07 39  
info-cac@grohe.com

**LT**

+372 6616354  
grohe@grohe.ee

**LV**

+372 6616354  
grohe@grohe.ee

**MAL**

+1 800 80 6570  
info-singapore@grohe.com

**N**

+47 22 072070  
grohe@grohe.no

**NL**

+31 79 3680133  
vragen-nl@grohe.com

**NZ**

+09 573 0490  
sales@robertson.co.nz

**P**

+351 234 529620  
commercial-pt@grohe.com

**PL**

+48 22 5432640  
biuro@grohe.com.pl

**RI**

+62 21 2358 4751  
info-singapore@grohe.com

**RO**

+40 21 2125050  
info-ro@grohe.com

**ROK**

+82 2 559 0790  
info-singapore@grohe.com

**RP**

+63 2 8041617

**RUS**

+7 495 9819510  
info@grohe.ru

**S**

+46 771 141314  
grohe@grohe.se

**SGP**

+65 6 7385585  
info-singapore@grohe.com

**SK**

+420 277 004 190  
grohe-cz@grohe.com

**T**

+66 2610 3685  
info-singapore@grohe.com

**TR**

+90 216 441 23 70  
GroheTurkey@grome.com

**UA**

+38 44 5375273  
info-ua@grohe.com

**USA**

+1 800 4447643  
us-customerservice@grohe.com

**VN**

+84 8 5413 6840  
info-singapore@grohe.com

**AL** **BIH** **HR** **KS**

**ME** **MK** **SLO** **SRB**

+385 1 2911470  
adria-hr@grohe.com

**Eastern Mediterranean,  
Middle East - Africa  
Area Sales Office:**

+357 22 465200  
info@grome.com

**IR** **OM** **UAE** **YEM**

+971 4 3318070  
grohedubai@grome.com

**Far East Area Sales Office:**

+65 6311 3600  
info@grohe.com.sg