

KADO

# NEUE ARCH SHAVING CABINET



## SPECIFICATIONS

<b>Recommended Use</b>	Domestic, Hotel and Commercial
<b>Unit Material</b>	MDF MR E0 (Medium Density Fibreboard, Moisture Resistant, Rated Emission Level E0) 4mm Copper-Free Material
<b>Colour Variations</b>	<p><b>Textured Woodgrain:</b></p> <p><i>Nuance:</i> Deep wide grain texture. <i>Ravine:</i> Deep wide grain texture. <i>Chalk:</i> Subtle linea texture.</p> <p><b>Natural Woodgrain:</b></p> <p>Matte smooth.</p> <p><b>Gloss Silk:</b></p> <p>Sheen gloss smooth.</p> <p><b>Polyurethane:</b></p> <p>Gloss White, Matte White, Matte Milton Moon Grey, Matte Black.</p>
<b>Shelves</b>	Internal shelves, choice of adjustable or fixed.
<b>Doors</b>	Soft-close doors.
<b>Inclusions</b>	Internal double power point with cord provision for utilising power point with door closed.
<b>Fixing</b>	Bolted/Screwed to the wall by a licensed tradesperson - Fixings not included.

STANDARD SIZES (mm)	500 x 900	900 x 1050
Mirror Size (mm)	500 x 900	902 x 1051
Cabinet Width (mm)	476	878
Cabinet Depth (mm)	100	100
Overall Depth (mm)	120	120
Cabinet Height (mm)	638	588
Number of Doors	1	2
Number of Shelves	2	2

Please note these are overall measurements.

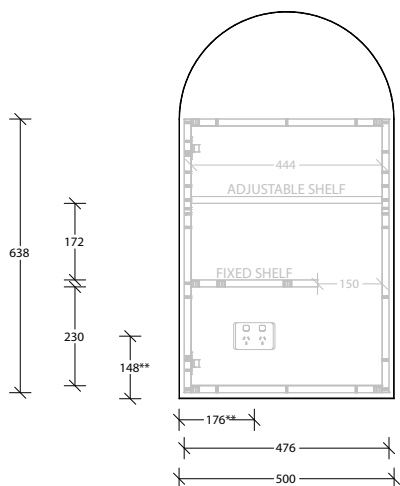
**Disclaimer:** Products in this specification manual must by regulation be installed by licensed and registered trade people. The manufacturer/distributor reserves the right to vary specifications or delete models from their range without prior notification. Dimensions are nominal measurements only. Dimensions and set-outs listed are correct at time of publication however the manufacturer/distributor takes no responsibility for printing errors.

# KADO

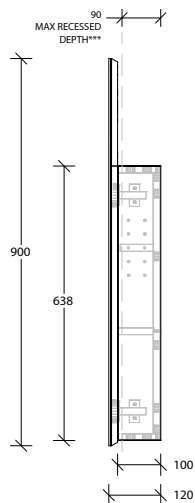
## NEUE ARCH SHAVING CABINET

### 500 X 900MM - FIXED SHELF

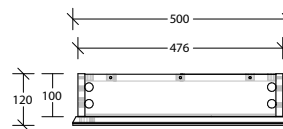
Front View



Side View

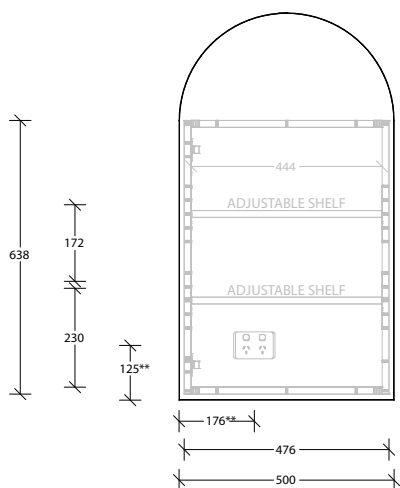


Top View

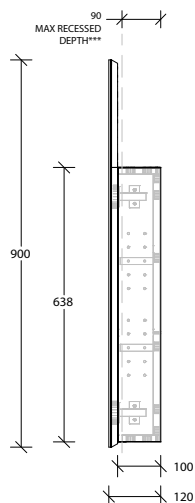


### 500 X 900MM - ADJUSTABLE SHELVES

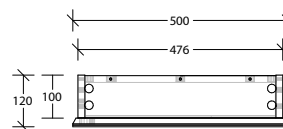
Front View



Side View



Top View



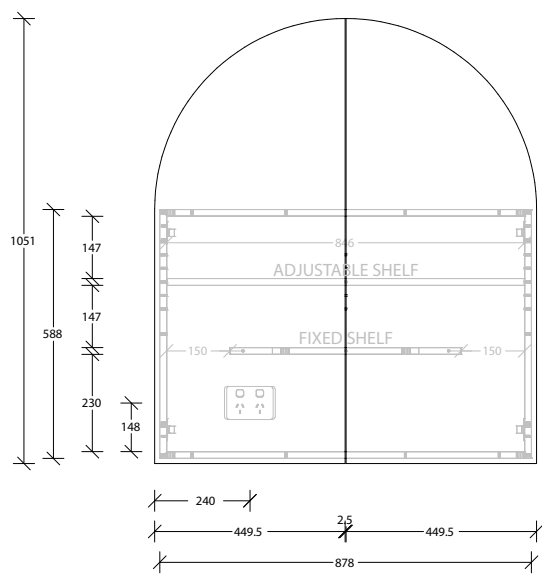
Note: Power point will always be located on the same side as the door hinge.

# KADO

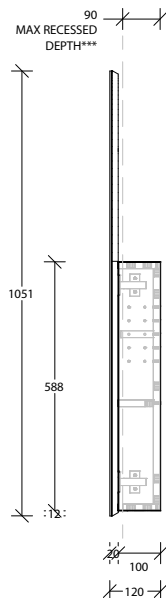
## NEUE ARCH SHAVING CABINET

### 900 X 1050MM - FIXED SHELF

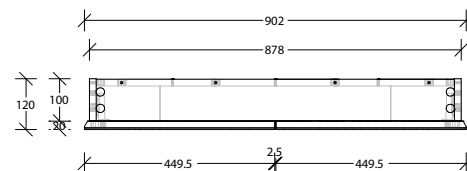
Front View



Side View

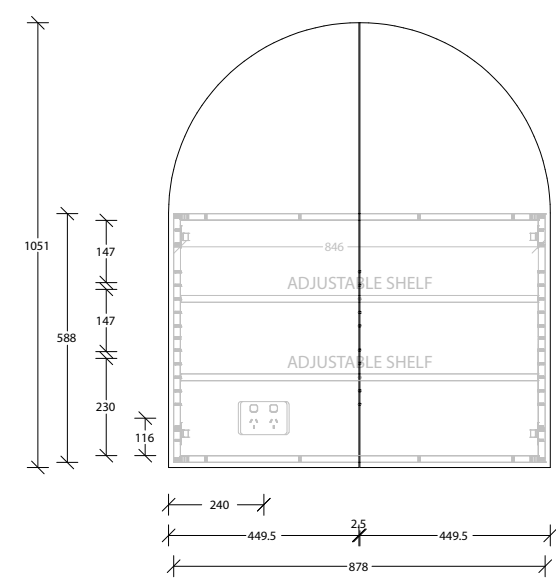


Top View

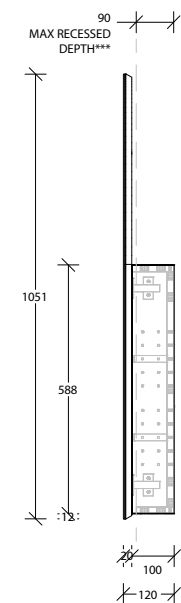


### 900 X 1050MM - ADJUSTABLE SHELVES

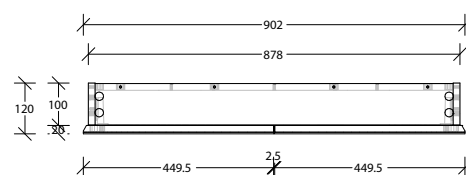
Front View



Side View



Top View



Note: Power point is available on the left or right hand side.