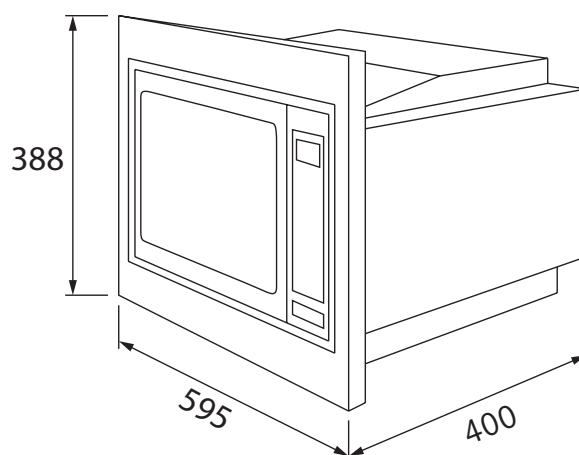


FRANKE

DESIGNER BUILT IN MICROWAVE OVEN



Dimensions are nominal measurements only.

SPECIFICATIONS

Recommended use	Domestic
Material	Black glass
Colour availability	Black
Weight	19kg
Dimensions	594 x 410 x 388mm
Capacity	25L
Voltage	230-240V - 50Hz
Fuse	20A plug
Door opening	Side opening
Turntable diameter (mm)	315mm
Auto menus	8
Cavity material	Enamel
Electronic clock	Yes
Child safety lock	Yes



To see the complete FRANKE range go to
www.reece.com.au/bathrooms

CLEANING RECOMMENDATIONS

With careful care and cleaning your microwave oven will retain its looks and remain good order. We will explain here how you should care for and clean your appliance correctly.

FRANKE

DESIGNER BUILT IN MICROWAVE OVEN

CARE AND CLEANING

Area	Cleaning Agents
Appliance front	Hot soapy water: Clean with a dish cloth and dry with a soft cloth. Do not use glass cleaners or metal or glass scrapers for cleaning.
Appliance front with stainless steel	Hot soapy water: Clean with a dish cloth and dry with a soft cloth. Remove flecks of limescale, grease, starch and albumin (e.g. egg white) immediately. Corrosion can form under such residues. Special stainless steel cleaning agents can be obtained from the after-sales service or from specialist shops. Do not use glass cleaners or metal or glass scrapers for cleaning.
Cooking compartment	Hot soapy water or vinegar solution: Clean with a dish cloth and dry with a soft cloth. If the oven is very dirty: Do not use oven spray or other aggressive oven cleaners or abrasive materials. Scouring pads, rough sponges and pan cleaners are also unsuitable. These items scratch the surface. Allow the interior surfaces to dry thoroughly.
Recess in cooking compartment	Damp cloth: Ensure that no water seeps through the turntable drive into the appliance interior.
Wire racks	Hot soapy water: Clean using stainless steel cleaning agent or in the dishwasher.
Door panels	Glass cleaner: Clean with a dish cloth. Do not use a glass scraper.
Seal	Hot soapy water: Clean with a dish cloth, do not scour. Do not use a metal or glass scraper for cleaning.

FRANKE

DESIGNER BUILT IN MICROWAVE OVEN

INSTALLATION INSTRUCTIONS

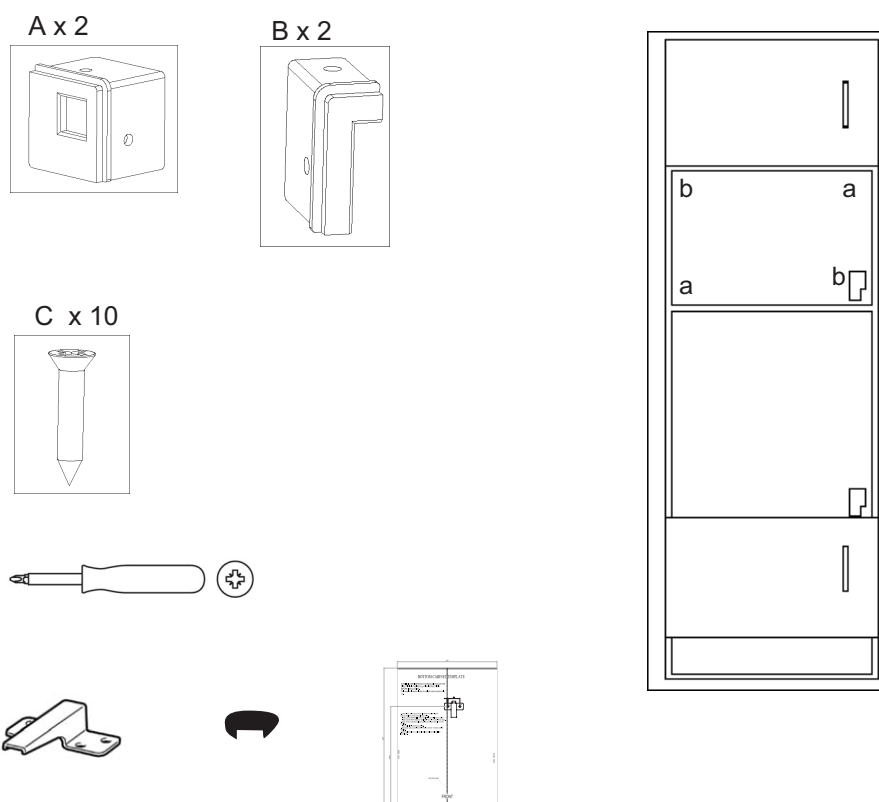
Check the appliance for damage after unpacking it, and don't connect the appliance if it has been damaged in transport.

Ensure there is adequate air flow around the rear of the microwave and there is a gap between the microwave and kitchen unit.

INSTALLATION AND CONNECTION

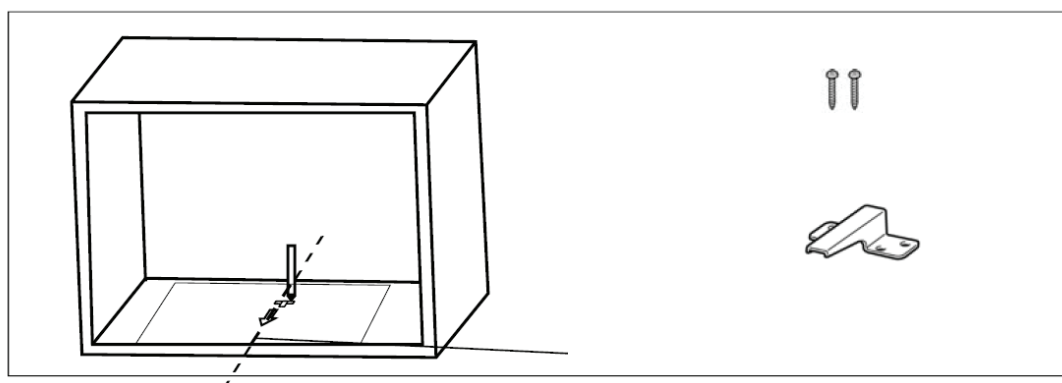
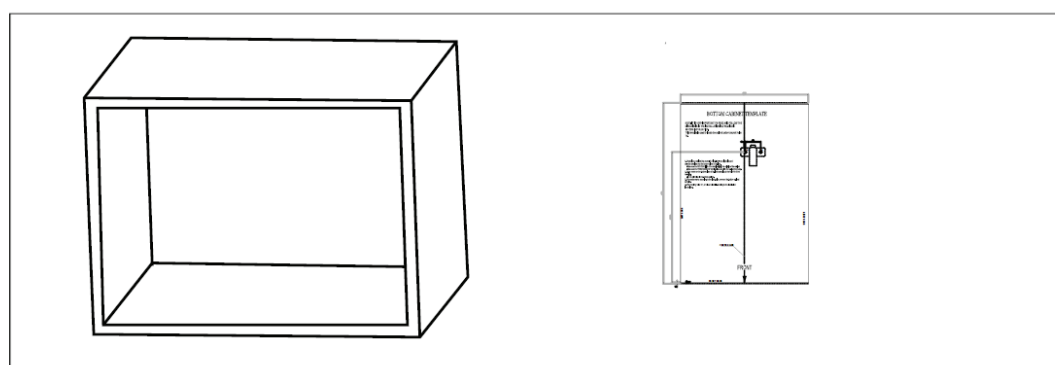
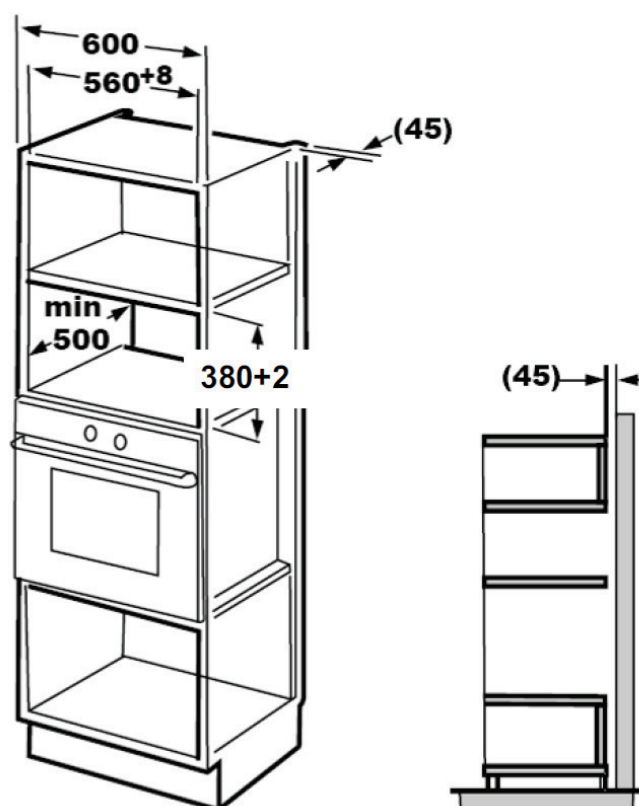
1. This appliance has been designed exclusively for domestic use.
2. The oven in question has been designed as an integrated appliance.
3. Observe the special installation instructions.
4. The appliance can be installed in a wall-mounted cupboard in heat-resistant material, with a width of 60 cm (at least 55 cm deep and at least 85 cm from the floor).
5. The appliance is fitted with a plug and simply needs to be connected to a suitably installed socket, which in turn must be earthed.
6. The mains voltage must correspond to the voltage specified on the appliance rating plate.
7. Socket installation and power cord replacement procedures must be carried out exclusively by a specialised electrician. If, after installation, the plug is no longer accessible, fit an omnipolar disconnect switch with a contact opening gap of at least 3 mm in accordance with the wiring rules.
8. Use of adapters, multi-socket power strips and extension cables is prohibited. Any current overloads could, in fact, cause a fire.

Accessible surfaces can become very hot during use.



Plumbers, please ensure a copy of the installation instructions is left with the end user for future reference

FRANKE

DESIGNER BUILT IN MICROWAVE OVEN**INSTALLATION INSTRUCTIONS**

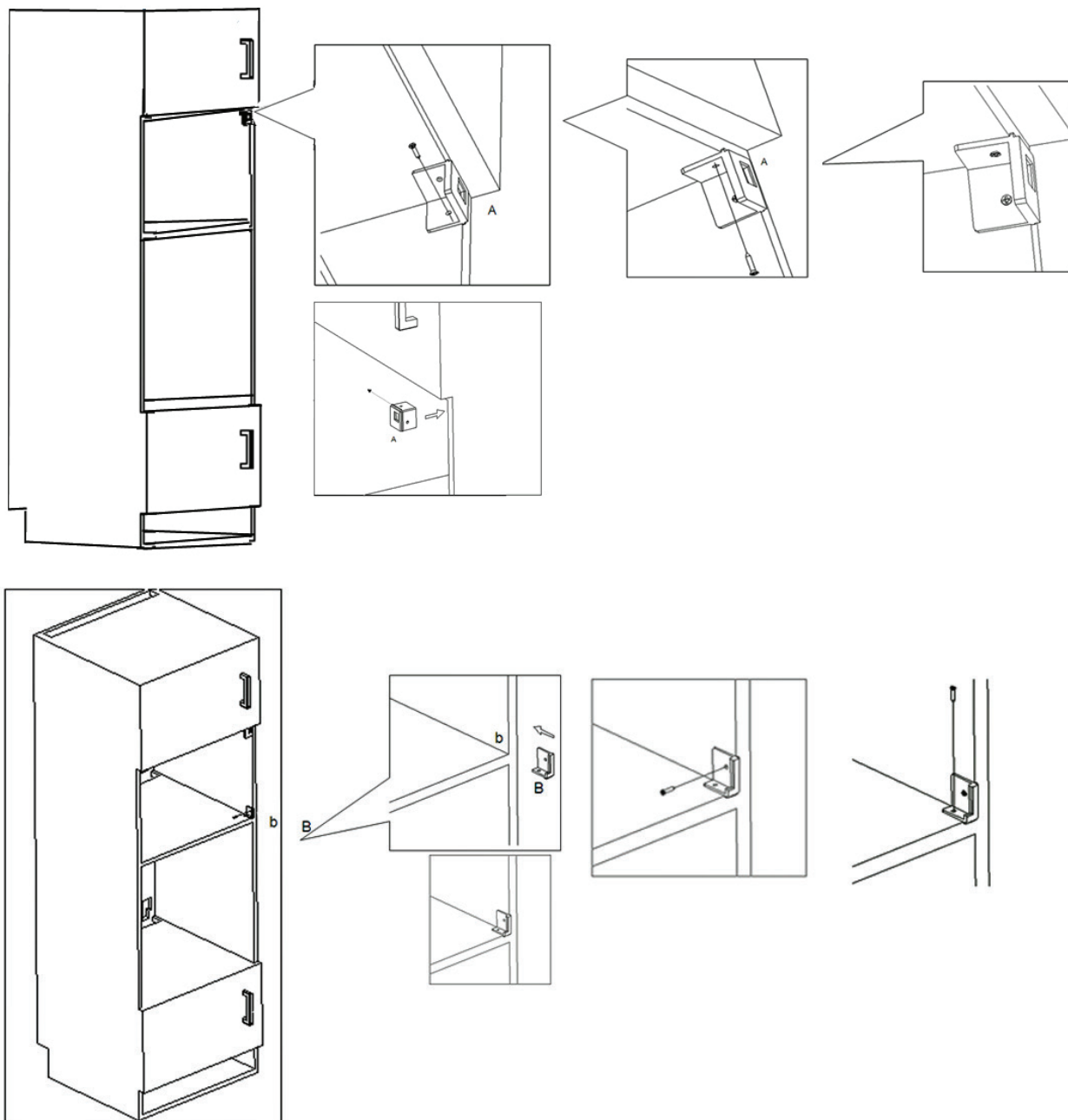
Plumbers, please ensure a copy of the installation instructions is left with the end user for future reference

FRANKE**reece**

FRANKE

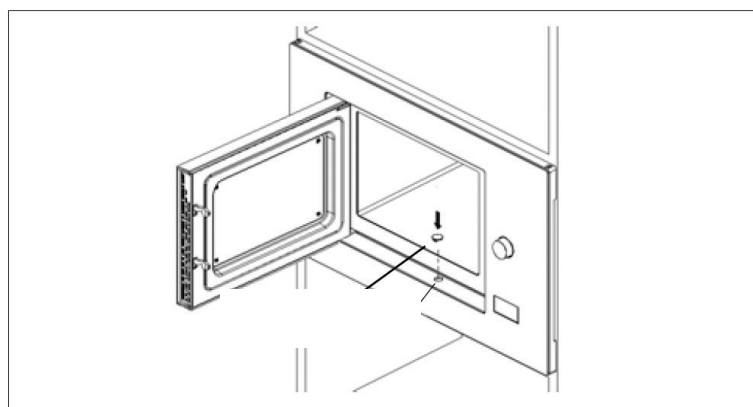
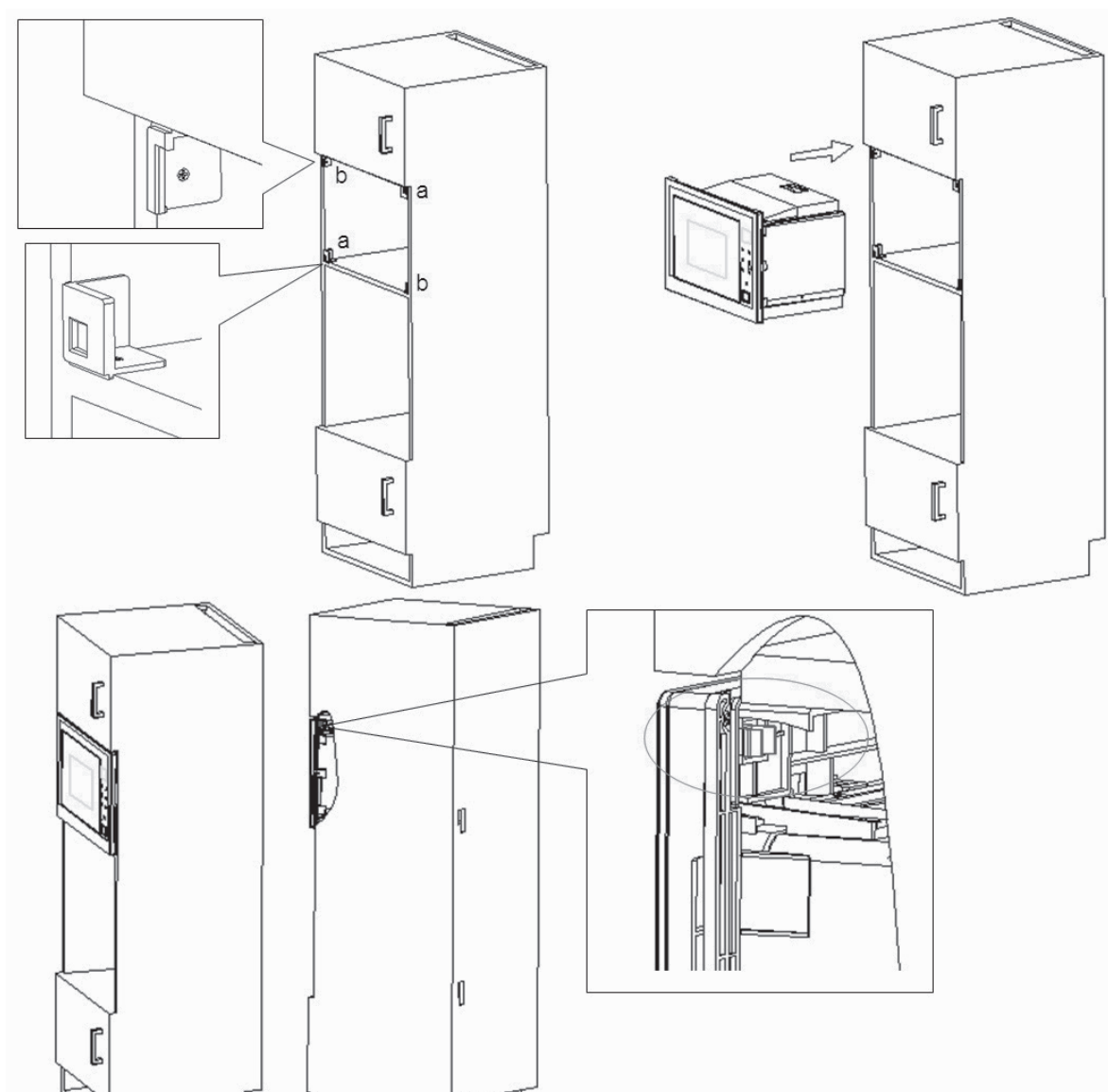
DESIGNER BUILT IN MICROWAVE OVEN

INSTALLATION INSTRUCTIONS



Plumbers, please ensure a copy of the installation instructions is left with the end user for future reference

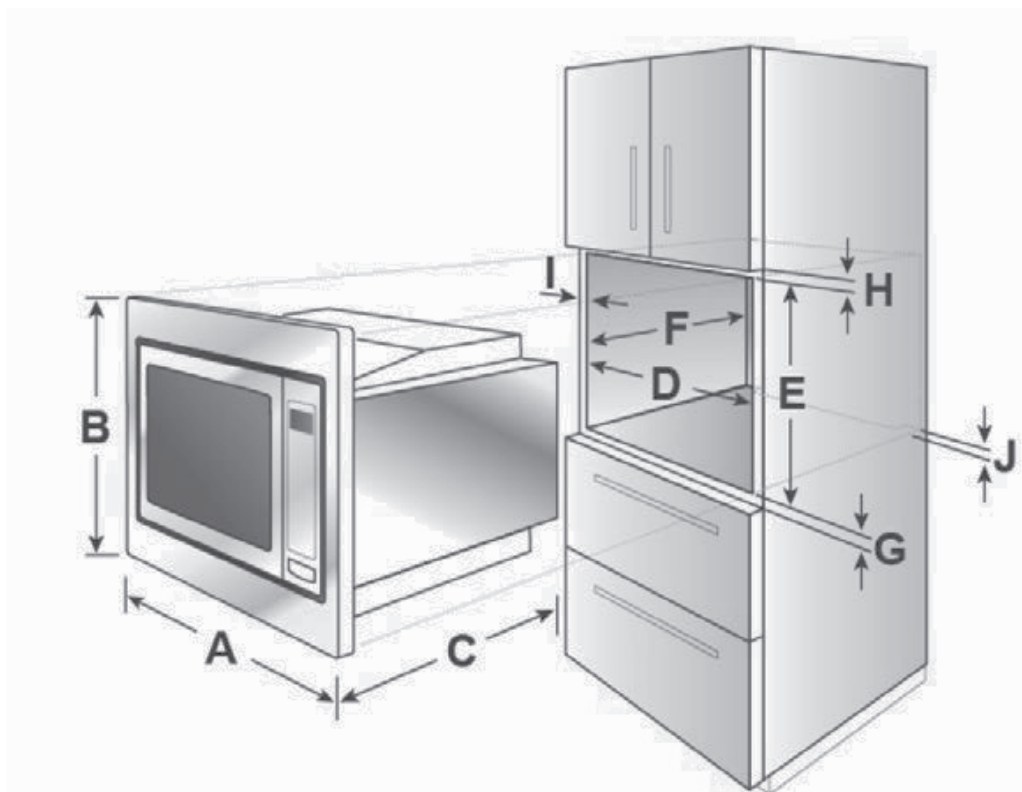
FRANKE

DESIGNER BUILT IN MICROWAVE OVEN**INSTALLATION INSTRUCTIONS**

Plumbers, please ensure a copy of the installation instructions is left with the end user for future reference

FRANKE**reece**

FRANKE

DESIGNER BUILT IN MICROWAVE OVEN**INSTALLATION INSTRUCTIONS****DIMENSIONS DIAGRAM**

A	595mm
B	388mm
C	400mm
D	560mm
E	380mm
F	Min 500mm
G	10mm
H	10mm
I	20mm
J	45mm

Plumbers, please ensure a copy of the installation instructions is left with the end user for future reference