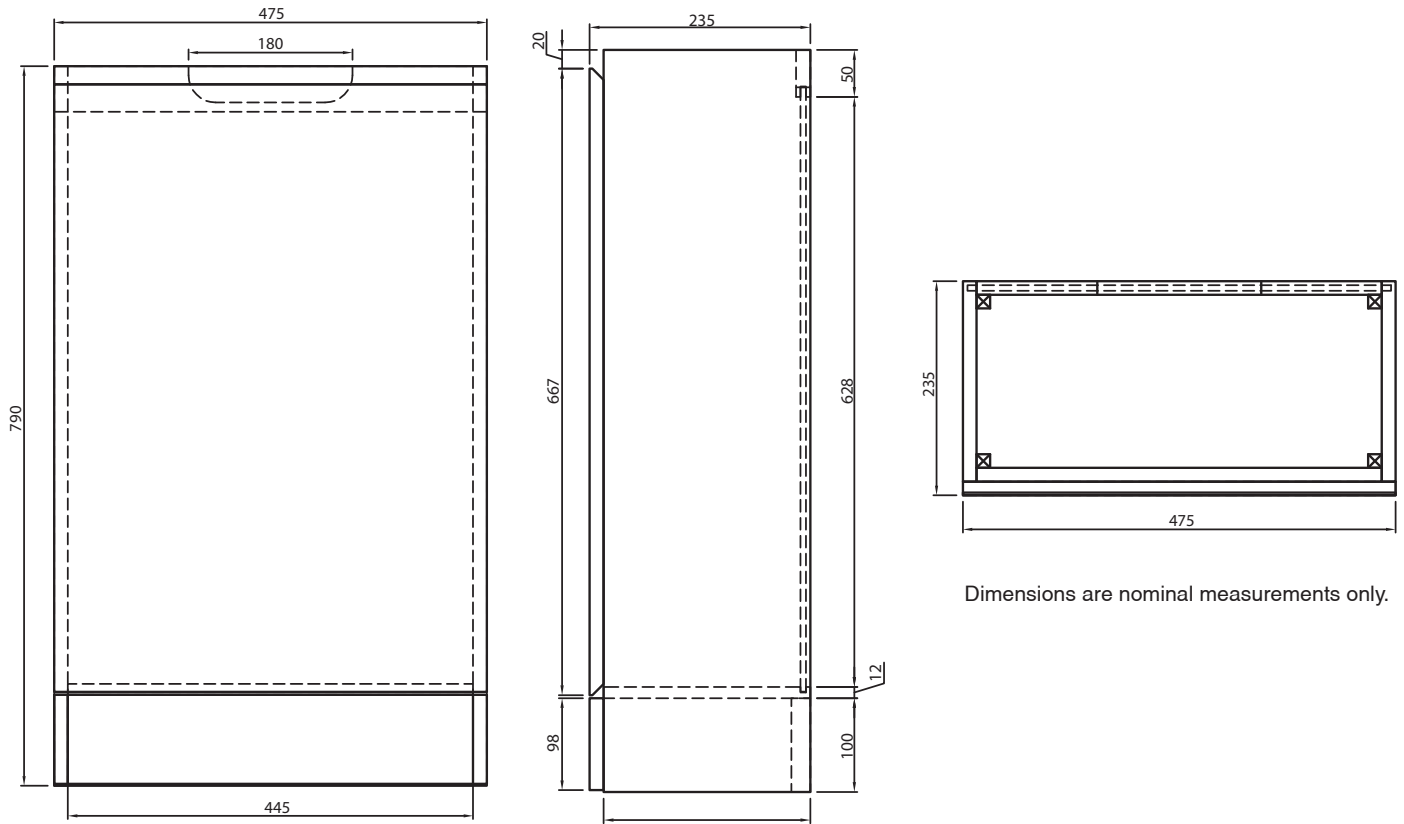


Posh Solus Powder Room Vanity Unit



Dimensions are nominal measurements only.

| SPECIFICATIONS | |
|----------------------------|---|
| Recommended Use | Domestic, Hotel, and Commercial |
| Basin Material | Vitreous China |
| Cabinet Material | 2-pak Gloss Finish Moisture Resistant MDF |
| Colour | White |
| Integrated Overflow | Yes |
| Plug & Waste | 32x40mm with Overflow (not supplied) |
| Fixing | Top siliconed to cabinet, cabinet screwed back to wall NOTE: Fixings not supplied |
| Taphole | 1 Taphole-Right Hand Only |



To see the complete POSH range go to www.reece.com.au/bathrooms

CLEANING RECOMMENDATIONS

We recommend the use of soapy water or approved cleaners.

This product should not be cleaned with abrasive materials.

Damage caused by any improper treatment is not covered by the product warranty- refer to Warranty Conditions.

Disclaimer: Products in this specification manual must by regulation be installed by licensed and registered trade people. The manufacturer/distributor reserves the right to vary specifications or delete models from their range without prior notification. Dimensions are nominal measurements only. Dimensions and set-outs listed are correct at time of publication however the manufacturer/distributor takes no responsibility for printing errors.

Posh Solus Powder Room Vanity Unit

INSTALLATION INSTRUCTIONS

NOTE

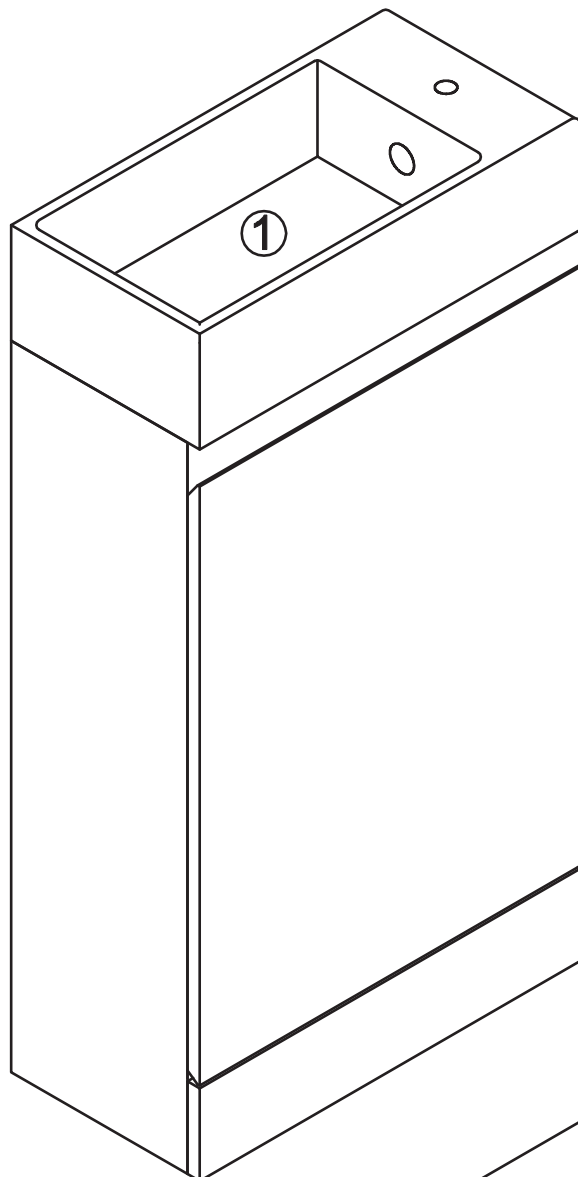
Vanity unit must be installed by a qualified tradesman.

Please read instructions carefully. Remove all wrapping material, staples and packing straps from the carton. See Hardware and Furniture Parts List for guidance. Be sure you have all parts before you start assembling. Place all wooden furniture parts on a clean and flat soft surface, such as carpet or a rug to prevent from being scratched.

IMPORTANT

If fixing to timber framed walls or partitioning, care should be taken to properly reinforce wall.

Please check vanity unit for damage before installing. If there is damage, please notify Reece branch where the product was purchased to organise a replacement product. Installation of the vanity unit is deemed as accepting the condition of the vanity unit.

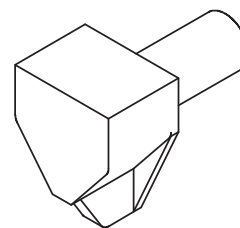


PARTS INCLUDED

- 1. VANITY 1pc
- 2. SHELF 1pc

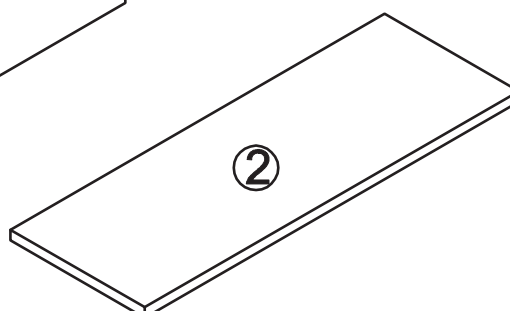
HARDWARE LIST

- A. SHELF SUPPORT 4pc



Ⓐ

Ⓐ



Posh Solus Powder Room Vanity Unit

INSTALLATION INSTRUCTIONS

FOR ASSEMBLY

- First, check the content to make sure that nothing is missing
- Sort out the parts and fittings as shown. Assemble product step by step
- It is preferable to rest the product on a soft surface to avoid damage during assembly
- Do not overtighten screws and fittings
- Re-tighten all screws and fittings periodically
- You will need a Phillips Screwdriver to complete this assembly

