

mizu

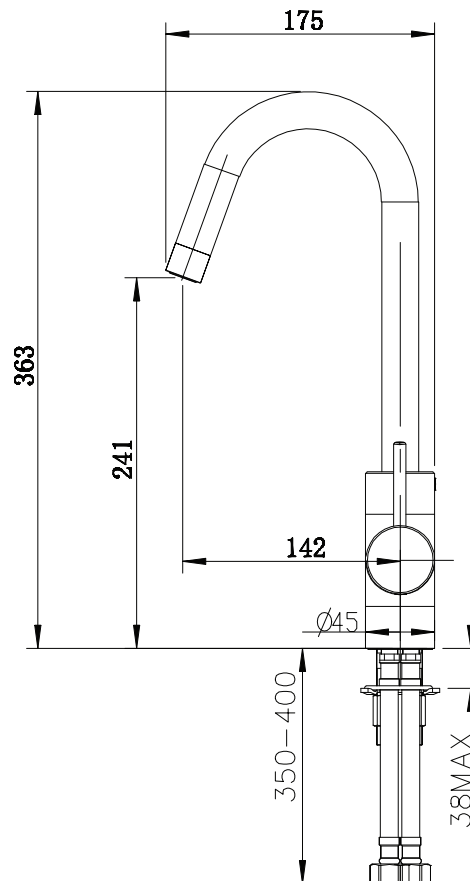
Mizu Drift MK2 Gooseneck Sink Mixer Brushed Gold (4 Star)

SPECIFICATIONS

Recommended Use	Domestic, hotel and commercial
Colour Availability	Brushed Gold, Chrome, Matte Black, Brushed Nickel
Material	Brass
Cartridge Type	Ceramic Disc
Recommended Pressure Range	150 - 500 kPa
Max Continuous Working Pressure	1000 kPa
Max Continuous Working Temperature	65 deg C
Suitable for Storage Tank Hot Water	Yes
Suitable for Continuous Flow Hot Water	Yes
Suitable for Gravity Feed Hot Water	No

WARRANTY

Warranty - Domestic Use	10 Years
Spare Parts & Labour	12 Months



CLEANING RECOMMENDATIONS

We recommend the use of soapy water or approved cleaners. This product should not be cleaned with abrasive materials. Damage caused by any improper treatment is not covered by the product warranty. Refer to Warranty Conditions.

Dimensions are nominal measurements only.

Disclaimer: Products in this specification manual must by regulation be installed by licensed and registered trade people. The manufacturer/distributor reserves the right to vary specifications or delete models from their range without prior notification. Dimensions are nominal measurements only. Dimensions and set-outs listed are correct at time of publication however the manufacturer/distributor takes no responsibility for printing errors.

Published 24/02/2021

