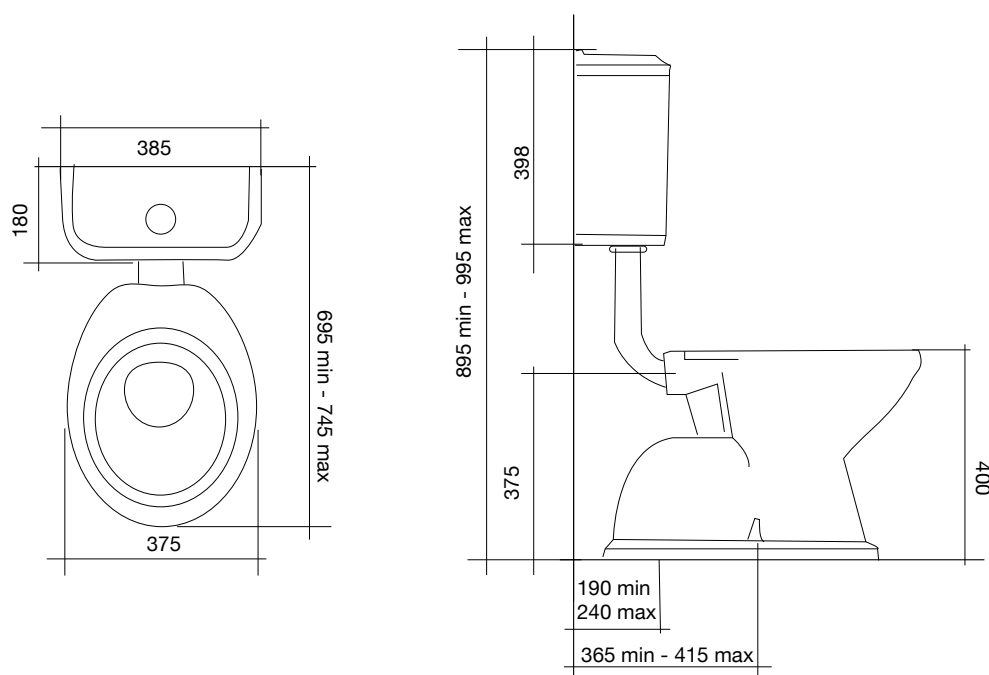


Posh Canterbury Low Level Toilet Suite

INSTALLATION

1. Position pan onto connector and mark off position of pan fixing holes. Remove pan and drill holes in position marked.
2. Apply flexible sealant to base of pan and carefully position pan onto pan connector and screw pan into pre-drilled holes using corrosion resistant screws (not supplied). Remove excess sealant.
3. Fit flush pipe to pan. NOTE: Pipe needs to be cut to size to suit set up on site.
4. Position cistern against wall and mark off position of cistern fixing points. Remove cistern and drill holes in position marked.
5. Secure cistern to wall using corrosion resistant screws or toggles.
6. Connect water supply to the inlet valve.
7. Fill the cistern and ensure correct water level. For adjustment refer separate instructions for inlet.
8. Fit cistern lid and flush toilet. Check for leaks. For adjustment and troubleshooting on outlet valve refer separate instructions.



Dimensions are nominal measurements only.

Plumbers, please ensure a copy of the installation instructions is left with the end user for future reference.