



Compressor  
Voltage Code : FZ

FH4518Y

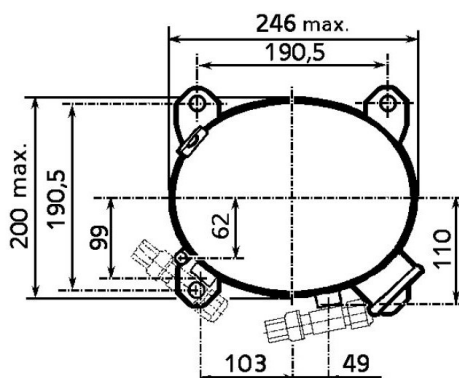
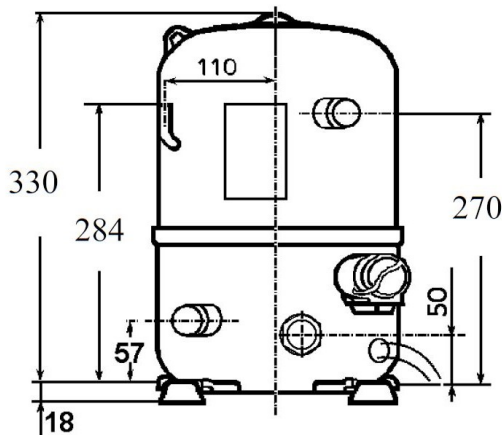
High Temp. Commercial (HP)

220 - 240V 1~ 50 Hz

R134a

AHC4518YFZ

Conditions	Frequency	Nominal Cooling Capacity		Sound Power ISO3745 / ISO 3743-1
		Watts	BTU/h	
EN12900 / R134a	50 Hz	4083	13923	68 dBA



Displacement (cc)	53.2
Net Weight (Kg)	32.0
Oil Quantity (cc)	1330.0
Oil Type	Polyolester
Expansion Device	Capillary_Tube/Expansion_Valve
Cooling	Fan
Main Winding (Ohm)	1.3
Start Winding (Ohm)	4.21
<b>Current</b>	
RLA (A)	7.8
MCC (A)	11.2
LRA (A)	46
<b>Electrical Equipment</b>	CSR
<b>Overload</b>	Interne
<b>Start Capacitor</b>	88 µF / 330 V
<b>Run Capacitor</b>	25 µF / 400 V
<b>Potential Relay</b>	RVA4G**
Pick Up	180/195V
Drop Out	40/105V
Optional	3ARR3*6AS*
<b>Refrigerating connection for OD</b>	
Suction Tube	15.9 (5/8")
Discharge Tube	12.7 (1/2")
Process Tube	6.35 (1/4")

\* EN12900 : T°Cond. 50.0°C / T°Evap. 5.0°C / T°Return gas temp.. 20.0°C  
T°Subcooling. 0.0K

Certificates :




Note : Tecumseh reserves the right to change information contained in this document without notification.



**Tecumseh**

<b>FH4518Y</b>	<b>Tension FZ : 220 - 240V 1~ 50 Hz</b>
----------------	---

Les performances sont données dans les <b>conditions EN12900</b> :	Gaz aspirés :	20.0 °C
Condition Dew	Sous refroidissement :	0.0 K
The performance data are in <b>EN12900 conditions</b> :	Return gas :	20.0 °C
Dew Condition	Subcooling :	0.0 K

<b>50 Hz R134a</b>											
											
										<b>N°216GT-F</b>	
4   T condensation	5   T évaporation	(°C)	-25	-20	-15	-10	-5	0	5	10	15
<b>30</b>	1   P frigorifique	(Watt)	925	1391	1952	2623	3418	4353	5442	6700	8142
	2   P absorbée	(W)	726	847	964	1076	1183	1284	1379	1468	1549
	3   I absorbée	(A)	3.97	4.41	4.85	5.27	5.69	6.10	6.49	6.89	7.27
<b>40</b>	1   P frigorifique	(Watt)	623	1064	1588	2209	2942	3803	4805	5963	7293
	2   P absorbée	(W)	692	842	990	1134	1275	1411	1544	1672	1794
	3   I absorbée	(A)	3.75	4.36	4.96	5.55	6.13	6.70	7.27	7.82	8.37
<b>50</b>	1   P frigorifique	(Watt)		709	1185	1745	2405	3179	4083	5131	6337
	2   P absorbée	(W)		791	970	1148	1324	1498	1669	1837	2002
	3   I absorbée	(A)		4.09	4.86	5.61	6.36	7.09	7.82	8.54	9.26
<b>60</b>	1   P frigorifique	(Watt)			771	1259	1835	2512	3306	4231	5303
	2   P absorbée	(W)			901	1114	1327	1539	1750	1960	2169
	3   I absorbée	(A)			4.54	5.46	6.37	7.27	8.17	9.05	9.93

© 2020 Tecumseh Products Company  
All rights reserved

1 = cooling capacity 2 = power input 3 = current 4 = condensing temperature 5 = evaporating temperature

**Nota : Tecumseh se réserve le droit de modifier les informations contenues dans ce document sans préavis.**  
**Note : Tecumseh reserves the right to change information contained in this document without notification.**