

posh

Posh Bristol MK2 Vanity Unit 750mm

NOTE

Vanity unit must be installed by a qualified tradesman.

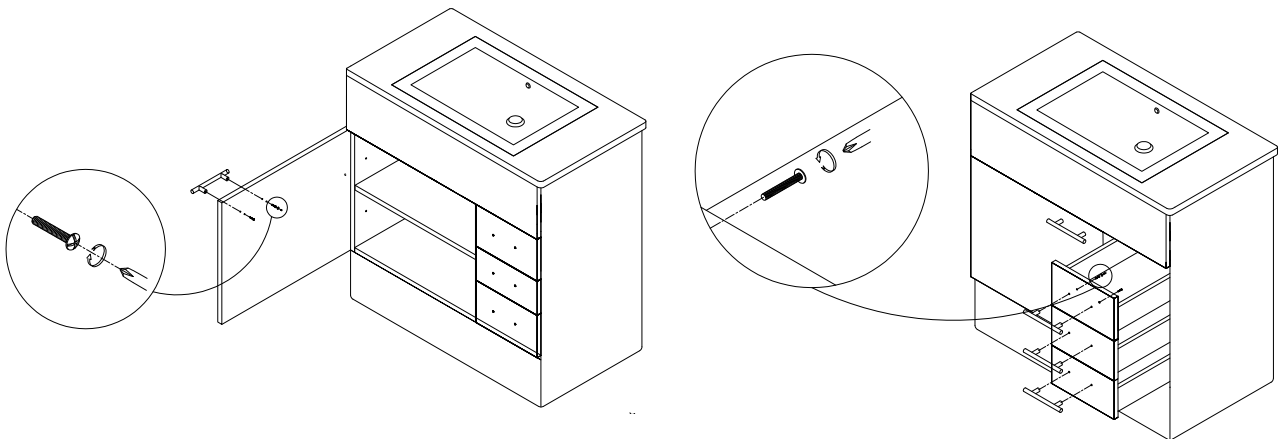
IMPORTANT

If fixing to timber framed walls or partitioning, care should be taken to properly reinforce wall.

Please check vanity unit for damage before installing. If there is damage, please notify Reece branch where the product was purchased to organise a replacement product. Installation of the vanity unit is deemed as accepting the condition of the vanity unit.

Freestanding Vanity Installation Procedure

1. Ensure that wall is plumb and floor is level.
2. Set up water inlet point and waste.
3. Place vanity unit into position and secure to wall. Make minor adjustments to hanging clips and then fully tighten coach screws.
4. External edges where the unit meets the wall should be sealed using flexible sealant.



**The shape of the vanity is purely indicative.

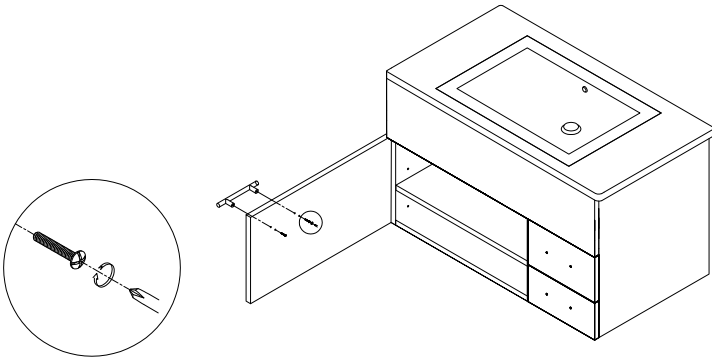
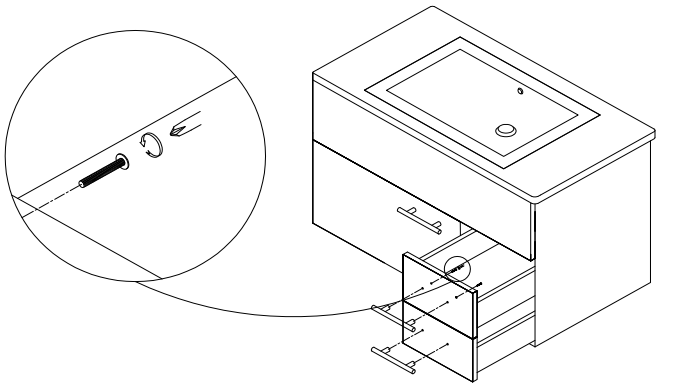
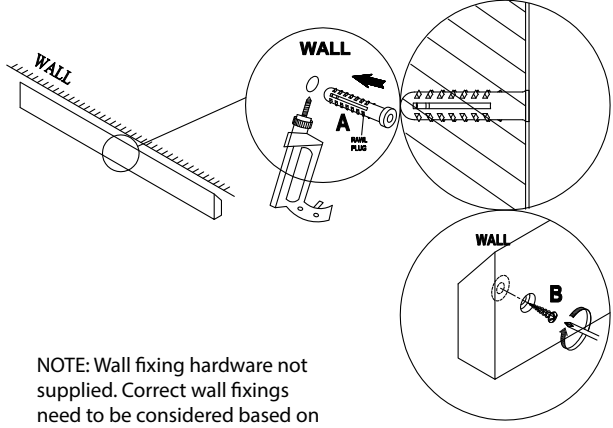
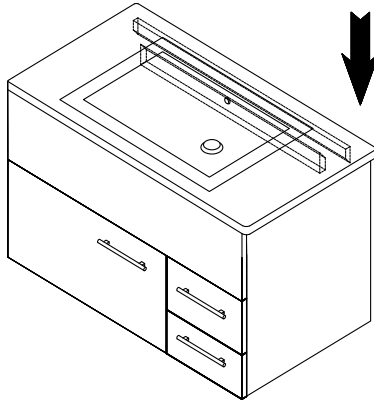
Plumbers, please ensure a copy of the installation instructions is left with the end user for future reference.

posh

Posh Bristol MK2 Vanity Unit 750mm









Wall Hung Vanity Installation Procedure

1. Ensure that wall is plumb.
2. Set up water inlet point and waste.

	
<p>Ensure wall plugs (not supplied) are fixed to solid wall</p>  <p>NOTE: Wall fixing hardware not supplied. Correct wall fixings need to be considered based on wall structure.</p> <p>Drill hole in hanger to line up with holes in wall</p>	 <p>Lift cabinet and hang on a vanity bar</p> <p>We recommend screws are driven through vanity bar to avoid vanity been lifted out.</p> <p>NOTE: The shape of the vanity is purely indicative.</p>

posh

Posh Bristol MK2 Vanity Unit 750mm

Picture	Reece Code	Product Description
 <p>LEFT & RIGHT HAND DOOR</p>	9506173	BRISTOL MK2 VANITY DOORS - SUIT 900MM VANITY UNIT WITH KICK
	9506175	BRISTOL MK2 VANITY DOORS - SUIT 900MM WALL HUNG VANITY UNIT
	9506177	BRISTOL MK2 VANITY DOORS - SUIT 900MM SEMI RECESSED VANITY UNIT WITH KICK
	9506178	BRISTOL MK2 VANITY DOORS - SUIT 900MM SEMI RECESSED WALL HUNG VANITY
 <p>LEFT HAND DOOR ONLY</p>	9506174	BRISTOL MK2 VANITY DOOR - SUIT 750MM VANITY UNIT WITH KICK
	9506176	BRISTOL MK2 VANITY DOOR - SUIT 750MM WALL HUNG VANITY UNIT
	9506179	BRISTOL MK2 VANITY DOOR - SUIT 750MM SEMI RECESSED VANITY WITH KICK
	9506180	BRISTOL MK2 VANITY DOOR - SUIT 750MM SEMI RECESSED WALL HUNG VANITY
	9506181	BRISTOL MK2 VANITY DRAWER FRONT ONLY
	9506182	BRISTOL MK2 VANITY DRAWER / DOOR HANDLE & BOLTS
 <p>2 x HINGES</p>	9506183	BRISTOL MK2 VANITY - CURVED DOOR HINGE (INNER)
 <p>2 x HINGES</p>	9506184	BRISTOL MK2 VANITY - STRAIGHT DOOR HINGE (OUTER)
	9506185	BRISTOL MK2 VANITY METAL DRAWER RUNNERS
	9506186	BRISTOL MK2 SEMI RECESSED VANITY METAL DRAWER RUNNERS