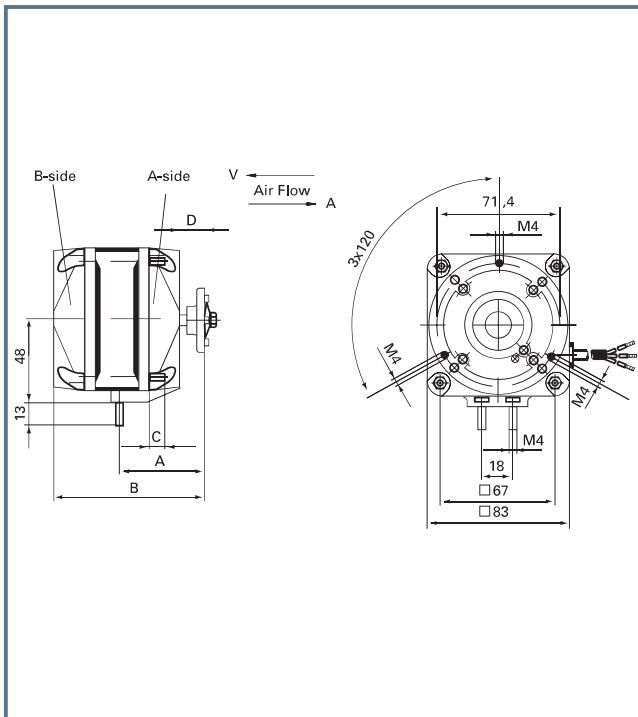


Motors

iQ- and Q-Motors

ebmpapst

the engineer's choice



Q motor



iQ motor



iQC motor

Dimensions

Part No.	A	B	C+D
M4Q045BD0138-CT0	42	76	27
M4Q045CA0138-CT0	42	82	25
M4Q045CA0172A01-CT0	42	82	25
M4Q045CA0338A01-CT0	42	82	25
M4Q045CA0375B01-CT0	42	82	25
✓ iQ3612-00-CT0	43.5	82	27
✓ iQC3612-00-CT0	43.5	85	30.5
M4Q045CF0138-CT0	42	87	25
M4Q045CF0175B01-CT0	42	87	25
M4Q045DA0538-CT0	54	93	25
M4Q045DA0575B01-CT0	54	93	25
M4Q045EA0138-CT0	59	103	26
✓ iQ3620-01-CT0	43.5	82	27
M4Q045EF0138-CT0	79	125	43
M4Q045EF0175B01-CT0	79	125	43

See page 39 for impeller sizes

Part No.	Direction of Rotation	Power Output W	Voltage V	Frequency Hz	Speed RPM	Power Input W	Current A	Bearing	Max. Perm. Amb. Temperature °C	Approximate Weight kg	Lead Length mm	Motor Type
M4Q045BD0138-CT0	CCW	5	230	50	1300	29	0.19	GK	40	0.9	450	AC
M4Q045CA0138-CT0	CCW	7	230	50	1300	31	0.2	GK	40	1.1	450	AC
M4Q045CA0172A01-CT0	CCW	7	230	50	1300	31	0.2	GK	40	1.1	380	AC
M4Q045CA0338A01-CT0	CCW	10	230	50	1300	36	0.25	GK	40	1.2	450	AC
M4Q045CA0375B01-CT0	CCW	10	230	50	1300	36	0.25	GK	40	1.2	1500	AC
✓ iQ3612-00-CT0*	CCW	≤15	220-240	50/60	1300	23	≤0.2	KL	50	0.6	1500	EC
✓ iQC3612-00-CT0*	CCW	≤15	220-240	50/60	1300/1500	20/22	0.18/0.19	KK	50	0.5	2000	EC
M4Q045CF0138-CT0	CCW	16	230	50	1300	60	0.42	GK	40	1.3	450	AC
M4Q045CF0175B01-CT0	CCW	16	230	50	1300	60	0.42	GK	40	1.3	1500	AC
M4Q045DA0538-CT0	CCW	23	230	50	1300	86	0.62	KL	40	1.6	450	AC
M4Q045DA0575B01-CT0	CCW	23	230	50	1300	86	0.62	KL	40	1.6	1500	AC
M4Q045EA0138-CT0	CCW	25	230	50	1300	90	0.62	KL	40	2	450	AC
✓ iQ3620-01-CT0	CCW	≤25	220-240	50/60	1300	32	≤0.22	KL	50	0.8	1500	EC
M4Q045EF0138-CT0	CCW	34	230	50	1300	110	0.75	KL	40	2.2	450	AC
M4Q045EF0175B01-CT0	CCW	34	230	50	1300	110	0.75	GK	40	2.2	1500	AC

KL = Ball bearing

GK = Sleeve bearing

*Also available with Lyall and AMP plug connector on request

Motors



Motors

iQ- and Q-Motors

ebmpapst

the engineer's choice

Recommended Impellers

Part No.	Power Output	154mm			172mm			200mm			230mm			254mm			300mm		
		22°	28°	34°	22°	28°	34°	22°	28°	34°	22°	28°	34°	22°	28°	34°	22°	28°	34°
M4Q045BD0138-CT0	5	X	X	X	X	X	X	X											
M4Q045CA0138-CT0	7							X	X	X	X								
M4Q045CA0172A01-CT0	7							X	X	X	X								
M4Q045CA0338A01-CT0	10										X	X	X	X					
M4Q045CA0375B01-CT0	10										X	X	X	X					
✓ iQ3612-00-CT0	≤15	X	X	X	X	X	X	X	X	X	X	X	X	X	X				
✓ iQC3612-00-CT0	≤15	X	X	X	X	X	X	X	X	X	X	X	X	X	X				
M4Q045CF0138-CT0	16													X	X				
M4Q045CF0175B01-CT0	16													X	X				
M4Q045DA0538-CT0	23																X	X	
M4Q045DA0575B01-CT0	23																X	X	
M4Q045EA0138-CT0	25																X	X	
✓ iQ3620-01-CT0	≤25													X	X	X	X		
M4Q045EF0138-CT0	34																X	X	X
M4Q045EF0175B01-CT0	34																X	X	X

Impeller Part Number

Part No. 'V' Flow	Part No. 'A' Flow	Size & Blade Angle
73801-2-3634	73761-2-3634	154mm 22° ± 1°30'
73802-2-3634	73762-2-3634	154mm 28° ± 1°30'
73803-2-3634	73763-2-3634	154mm 34° ± 1°30'
73804-2-3634	73764-2-3634	172mm 22° ± 1°30'
73805-2-3634	73765-2-3634	172mm 28° ± 1°30'
73806-2-3634	73766-2-3634	172mm 34° ± 1°30'
73807-2-3634	73767-2-3634	200mm 22° ± 1°30'
73808-2-3634	73768-2-3634	200mm 28° ± 1°30'
73809-2-3634	73769-2-3634	200mm 34° ± 1°30'
73810-2-3634	73770-2-3634	230mm 22° ± 1°30'
73811-2-3634	73771-2-3634	230mm 28° ± 1°30'
73812-2-3634	73772-2-3634	230mm 34° ± 1°30'
73813-2-3634	73773-2-3634	254mm 22° ± 1°30'
73814-2-3634	73774-2-3634	254mm 28° ± 1°30'
73815-2-3634	73775-2-3634	254mm 34° ± 1°30'
73816-2-3634	73776-2-3634	300mm 22° ± 1°30'
73817-2-3634	73777-2-3634	300mm 28° ± 1°30'
73818-2-3634	73778-2-3634	300mm 34° ± 1°30'



Motors

