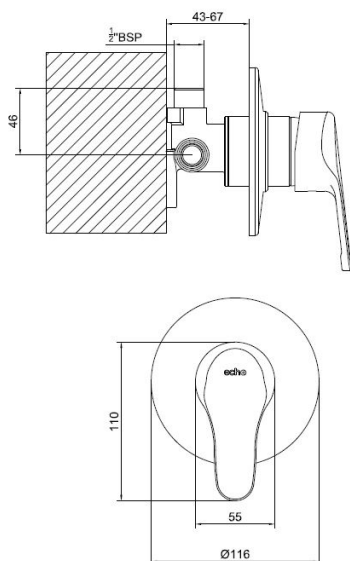


ECHO FORTIS SHOWER MIXER



CONSTRUCTION: Brass body
CARTRIDGE TYPE: Ceramic
CLASSIFICATION: Suitable for all pressures
INLET CONNECTIONS: 1/2" BSP
WORKING PRESSURE: 55 - 500kPa
OPERATING TEMPERATURE: 5 °C - 65 °C

- Cast male lungs
- Cast mounting

EF7003

Chrome

<http://www.methven.com/nz/our-other-brands/echo/>