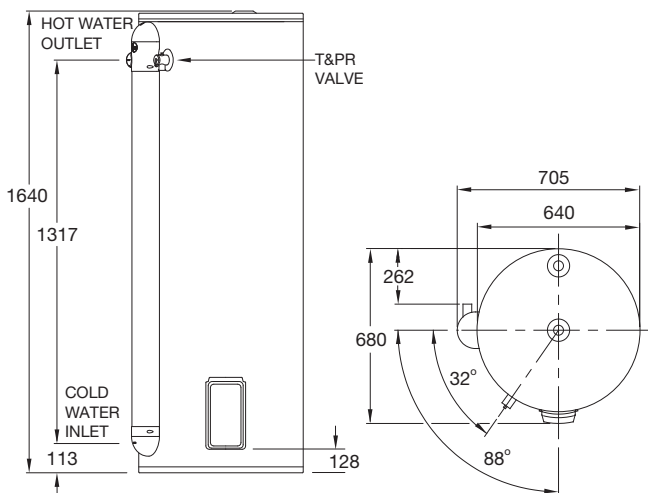


Features & Benefits

- Fast, easy like-for-like replacement
- 50°C temperature limited model supplies hot water at a maximum 50°C in accordance with AS/NZS 3500.4
- Exclusive Rheem Ultramel®
- Left hand connection
- Australian made
- 12 year cylinder warranty¹



MODEL	421315
Hot Water Delivery (L)	315
kW Rating	3.6
Relief Valve Pressure (kPa)	1000
Expansion Control Valve (kPa)	850
Max Water Supply Pressure:	
with ECV (kPa)	680
without ECV (kPa)	800
Water Connections	G 3/4 B
Approx. Weight (packaged) kg	97



Scan code for details & installation instructions

