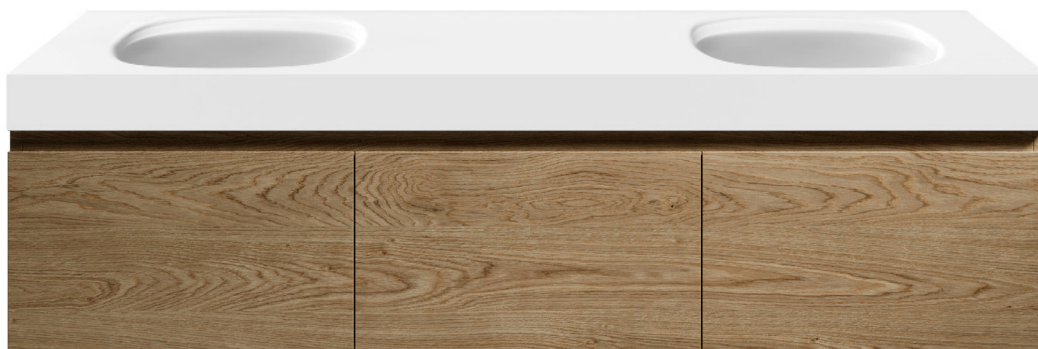


KADO

Lussi Wall Hung Vanity And Lussi Rear Shelf Basin



SPECIFICATIONS	
Recommended Use	Domestic, Hotel & Commercial
Material	Timber laminate or 2pac on Green Tag certified; 'green rate - level A' high moisture resistant E0 MDF
Colour	Please refer to Materials, Colour and Finishes options on the website for more information
Basin	Lussi solid surface matte white basin included with vanity
Tap Hole Availability	Single basin: 0 or 1 Double basin: 0 or 2
Waste	Supplied with 32-40mm waste with white s/surface plug
Trap	Sold separately
Handle	Bevelled finger pull
Hardware	
- Door option	Hettich soft close hinged doors
- Drawer option	Hettich soft close drawers
Basin Fixing	Bolted/screwed to wall by licensed trades person Basin fixing kit supplied
Vanity Fixing	Bolted/screwed to wall by licensed trades person. Installer must determine and supply appropriate wall fixings



STANDARD SIZES	700	900	1200	1500	1800
Width (mm)	700	900	1200	1500	1800
Depth (mm)	480	480	480	480	480
Height (mm)	400	400	400	400	400
Weight (kg)*					
- Door option	16	19	30	33	38
- Drawer option	24	28	43	50	56
Configuration					
- Doors (qty)	2	2	3	3	4
- Drawers (qty)	1	1	2	2	2

*Please note: vanity weights listed above do not include basins. See basin specification page for weights.

Dimensions are nominal measurements only.

Disclaimer: Products in this specification manual must by regulation be installed by licensed and registered trade people. The manufacturer/distributor reserves the right to vary specifications or delete models from their range without prior notification. Dimensions are nominal measurements only. Dimensions and set-outs listed are correct at time of publication however the manufacturer/distributor takes no responsibility for printing errors.

Published 16/09/2022

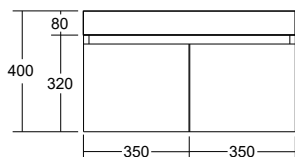
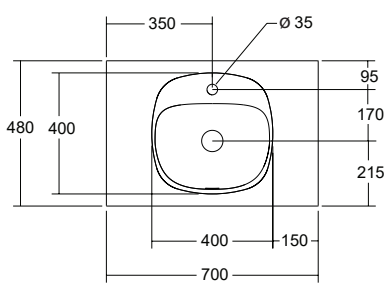


KADO

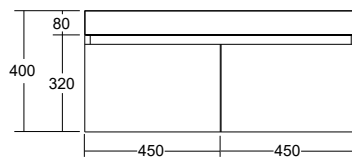
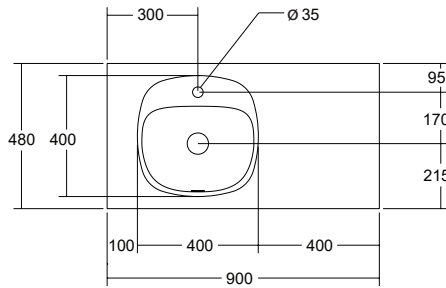
Lussi Wall Hung Vanity - Doors And Lussi Rear Shelf Basin

Please note: Drawings of vanities with single left hand bowls are also available with right hand bowls. Reverse details for right hand bowls.

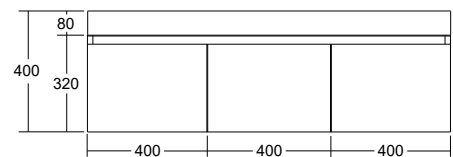
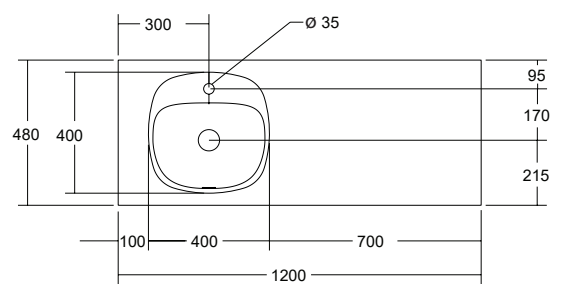
Lussi 700 Vanity w Doors



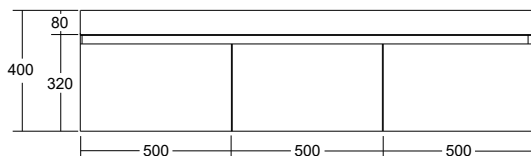
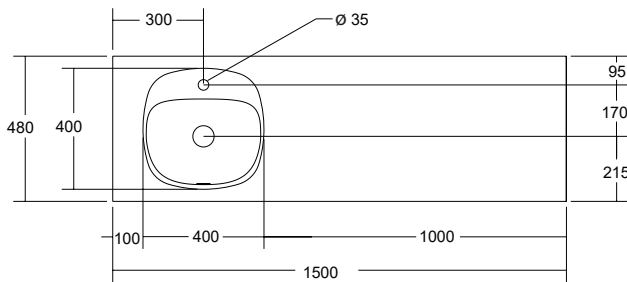
Lussi 900 Vanity w Doors



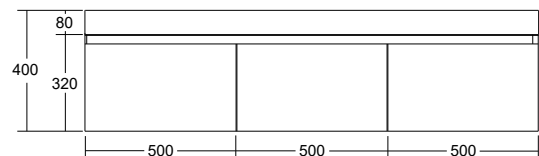
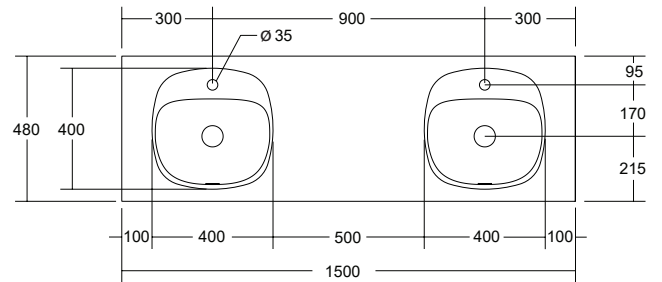
Lussi 1200 Vanity w Doors



Lussi 1500 Vanity w Doors



Lussi 1500 DBL Vanity w Doors



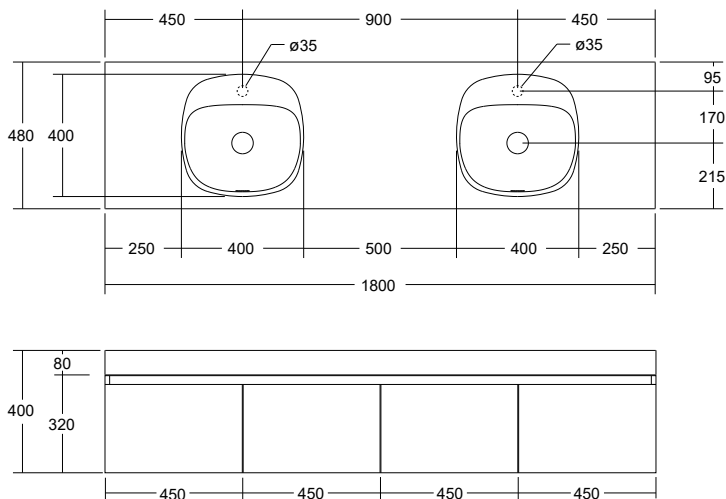
Dimensions are nominal measurements only.

Disclaimer: Products in this specification manual must by regulation be installed by licensed and registered trade people. The manufacturer/distributor reserves the right to vary specifications or delete models from their range without prior notification. Dimensions are nominal measurements only. Dimensions and set-outs listed are correct at time of publication however the manufacturer/distributor takes no responsibility for printing errors.

Lussi Wall Hung Vanity - Doors And Lussi Rear Shelf Basin

Please note: Drawings of vanities with single left hand bowls are also available with right hand bowls. Reverse details for right hand bowls.

Lussi 1800 DBL Vanity w Doors



Dimensions are nominal measurements only.

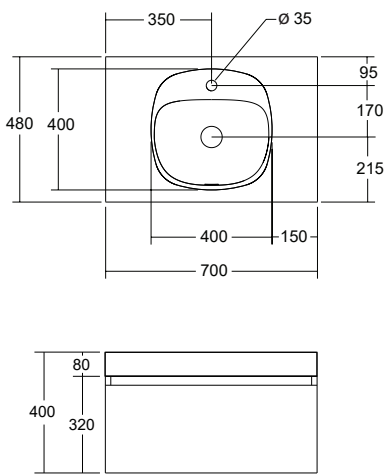
Disclaimer: Products in this specification manual must by regulation be installed by licensed and registered trade people. The manufacturer/distributor reserves the right to vary specifications or delete models from their range without prior notification. Dimensions are nominal measurements only. Dimensions and set-outs listed are correct at time of publication however the manufacturer/distributor takes no responsibility for printing errors.

Published 16/09/2022

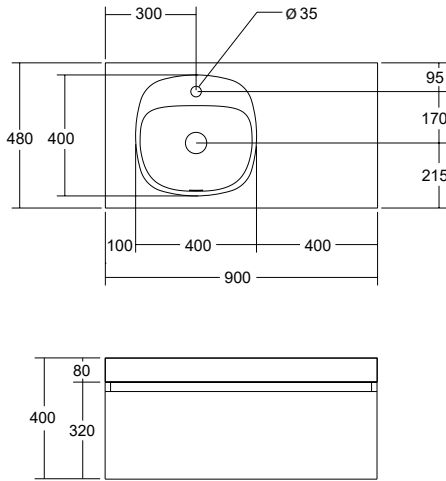
Lussi Wall Hung Vanity - Drawers And Lussi Rear Shelf Basin

Please note: Drawings of vanities with single left hand bowls are also available with right hand bowls. Reverse details for right hand bowls.

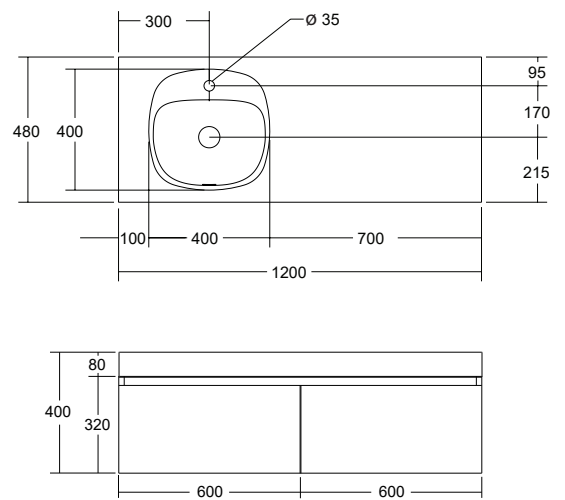
Lussi 700 Vanity w Drawer



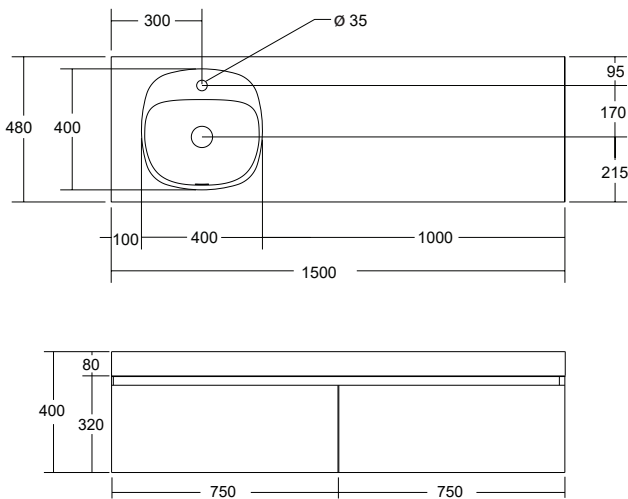
Lussi 900 Vanity w Drawer



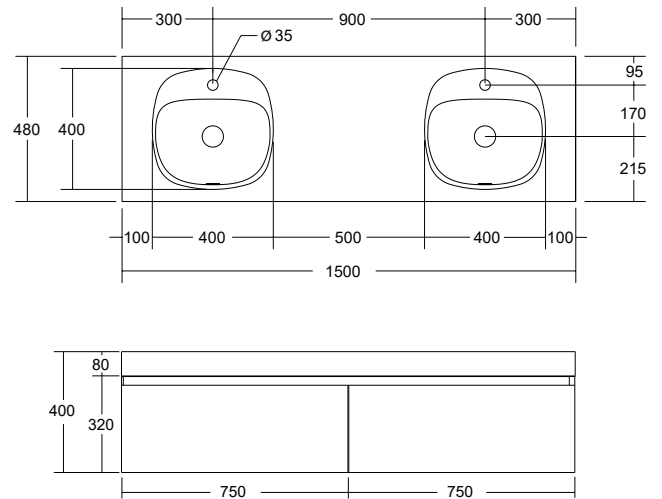
Lussi 1200 Vanity w Drawers



Lussi 1500 Vanity w Drawers



Lussi 1500 DBL Vanity w Drawers



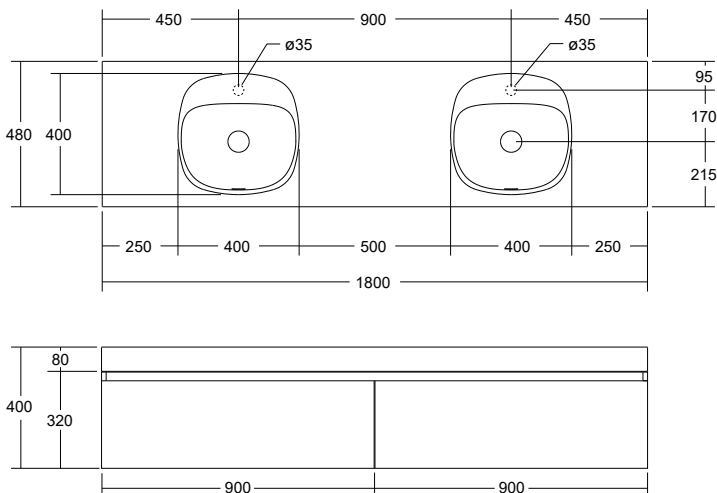
Dimensions are nominal measurements only.

Disclaimer: Products in this specification manual must by regulation be installed by licensed and registered trade people. The manufacturer/distributor reserves the right to vary specifications or delete models from their range without prior notification. Dimensions are nominal measurements only. Dimensions and set-outs listed are correct at time of publication however the manufacturer/distributor takes no responsibility for printing errors.

Lussi Wall Hung Vanity - Drawers And Lussi Rear Shelf Basin

Please note: Drawings of vanities with single left hand bowls are also available with right hand bowls. Reverse details for right hand bowls.

Lussi 1800 DBL Vanity w Drawers



Dimensions are nominal measurements only.

Disclaimer: Products in this specification manual must by regulation be installed by licensed and registered trade people. The manufacturer/distributor reserves the right to vary specifications or delete models from their range without prior notification. Dimensions are nominal measurements only. Dimensions and set-outs listed are correct at time of publication however the manufacturer/distributor takes no responsibility for printing errors.

Lussi Wall Hung Vanity

Recommended Lussi Mirror Cabinet & Lussi Vanity Configurations:

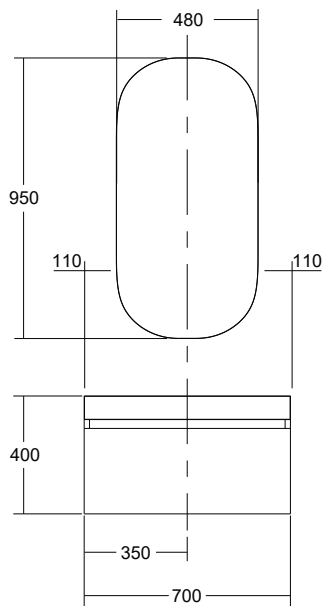
* Lussi mirror cabinet sold separately to basin & vanity.

Please note:

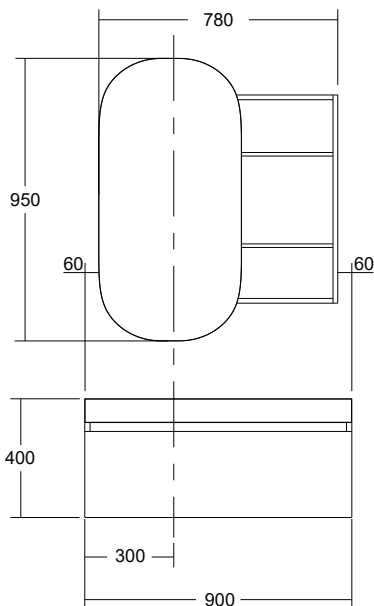
- In the below configurations mirrors are centred over basin waste points.

- Drawings of vanities with single left hand bowls are also available with right hand bowls. Reverse details for right hand bowls.

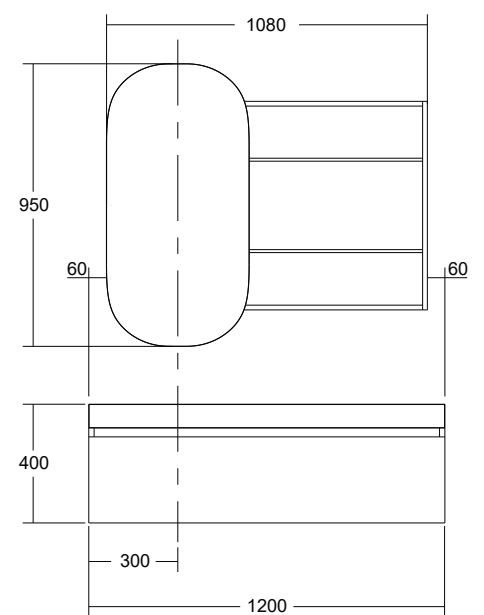
Lussi 480 Mirror Cabinet and Lussi 700 Vanity with rear shelf basin



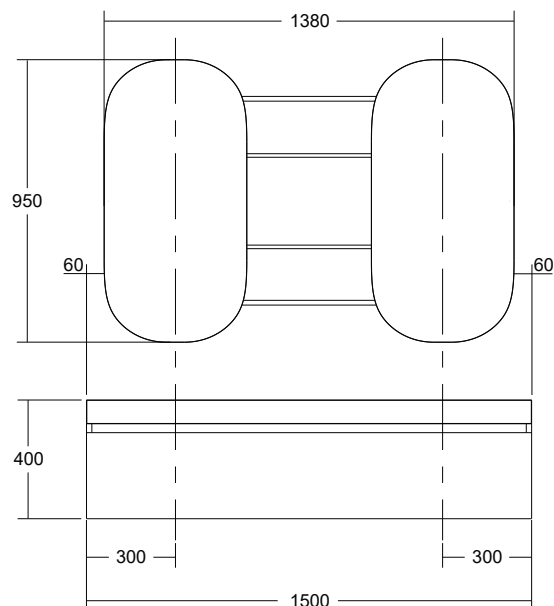
Lussi 780 Mirror Cabinet and Lussi 900 Vanity with rear shelf basin



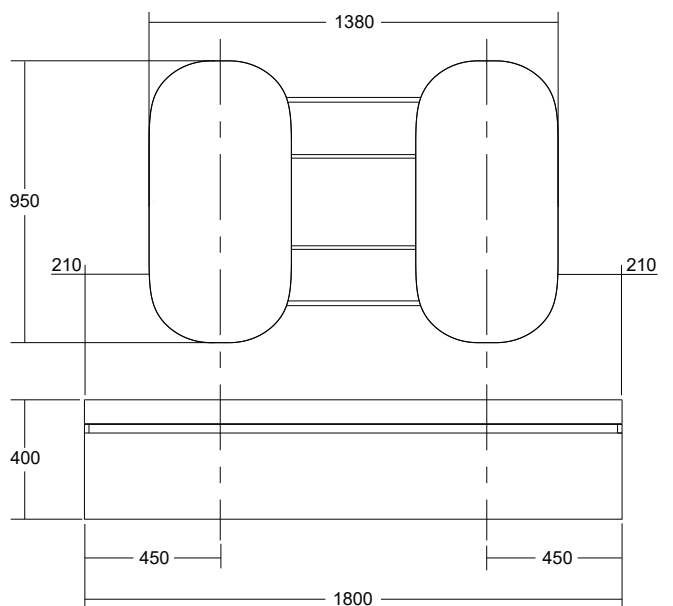
Lussi 1080 Mirror Cabinet and Lussi 1200 Vanity with rear shelf basin



Lussi 1380 Mirror Cabinet and Lussi 1500 DBL Vanity with rear shelf basin



Lussi 1380 Mirror Cabinet and Lussi 1800 DBL Vanity with rear shelf basin



Dimensions are nominal measurements only.

Disclaimer: Products in this specification manual must by regulation be installed by licensed and registered trade people. The manufacturer/distributor reserves the right to vary specifications or delete models from their range without prior notification. Dimensions are nominal measurements only. Dimensions and set-outs listed are correct at time of publication however the manufacturer/distributor takes no responsibility for printing errors.