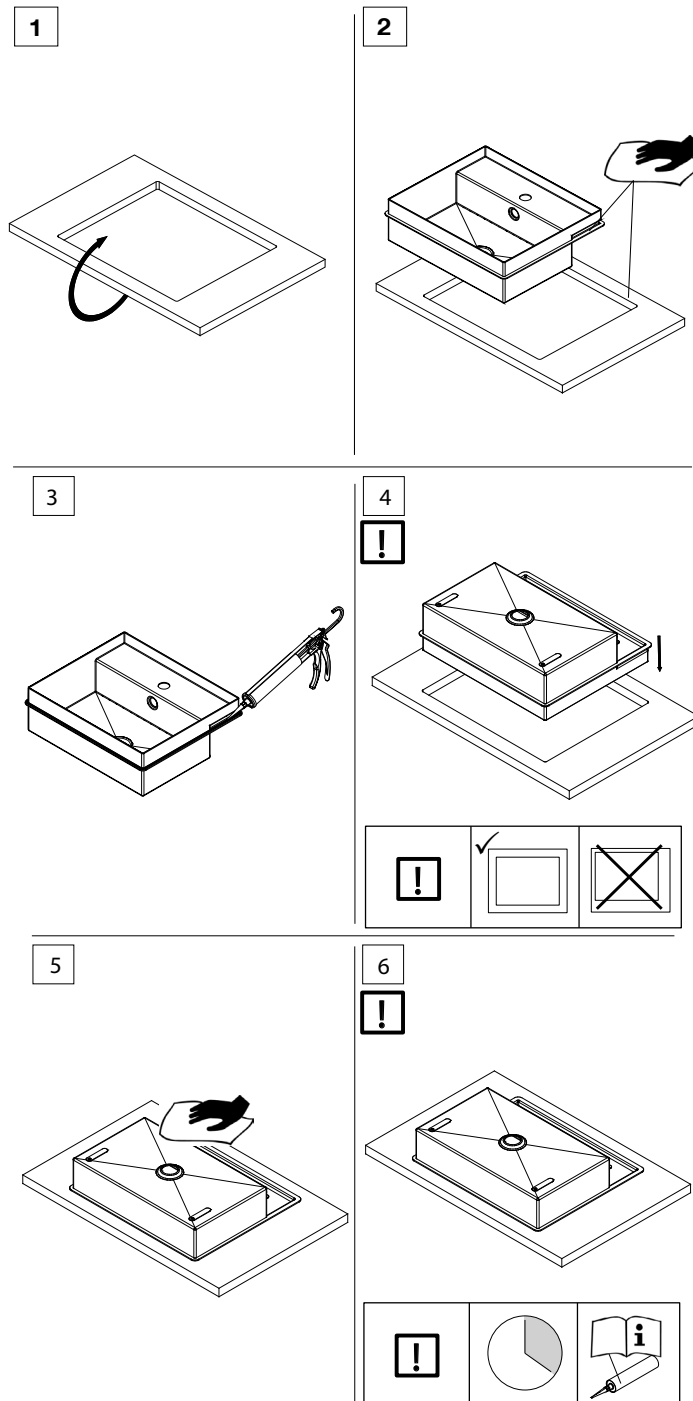


Alape[®]

Alape Step Semi Inset Basin White

INSTALLATION INSTRUCTIONS

NOTE: Please use adhesive supplied for installation.



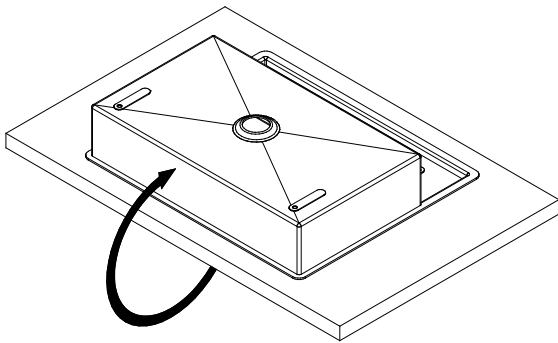
Plumbers, please ensure a copy of the installation instructions is left with the end user for future reference.

Alape[®]

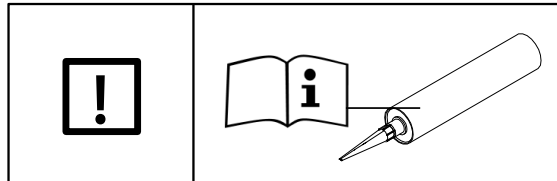
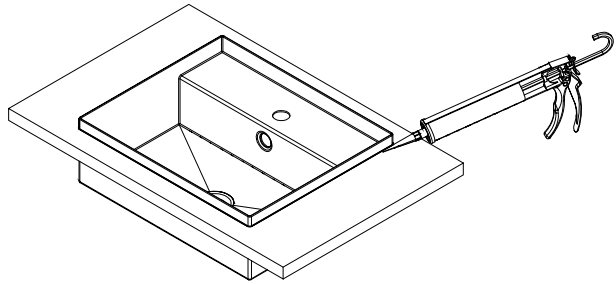
Alape Step Semi Inset Basin White

7

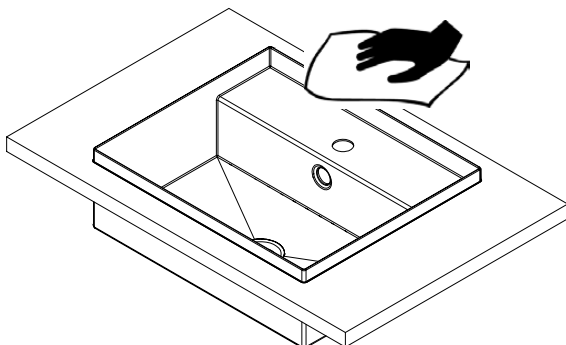
NOTE: Please ensure that the adhesive is cured before turning over the benchtop



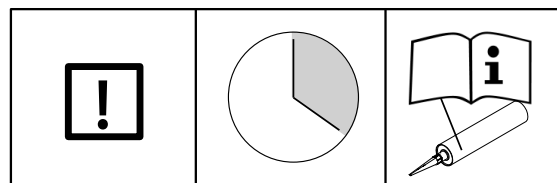
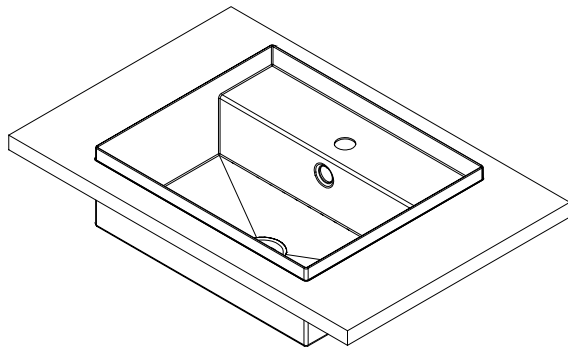
8



9



10

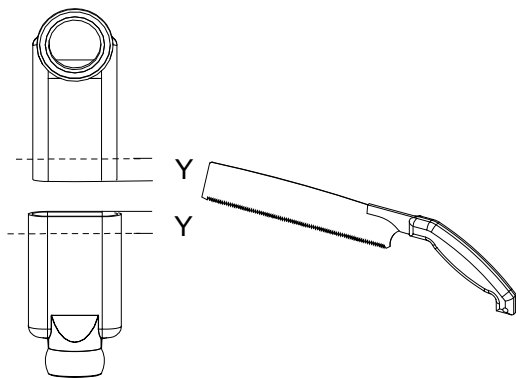


Alape[®]

Alape Step Semi Inset Basin White

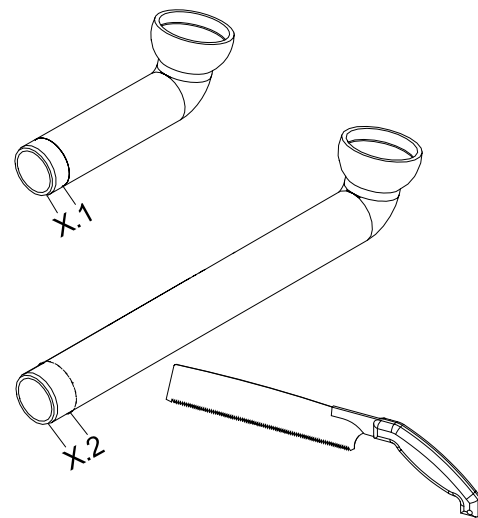
11

500mm x 420mm	Y= 25mm
525mm x 400mm	Y= 25mm

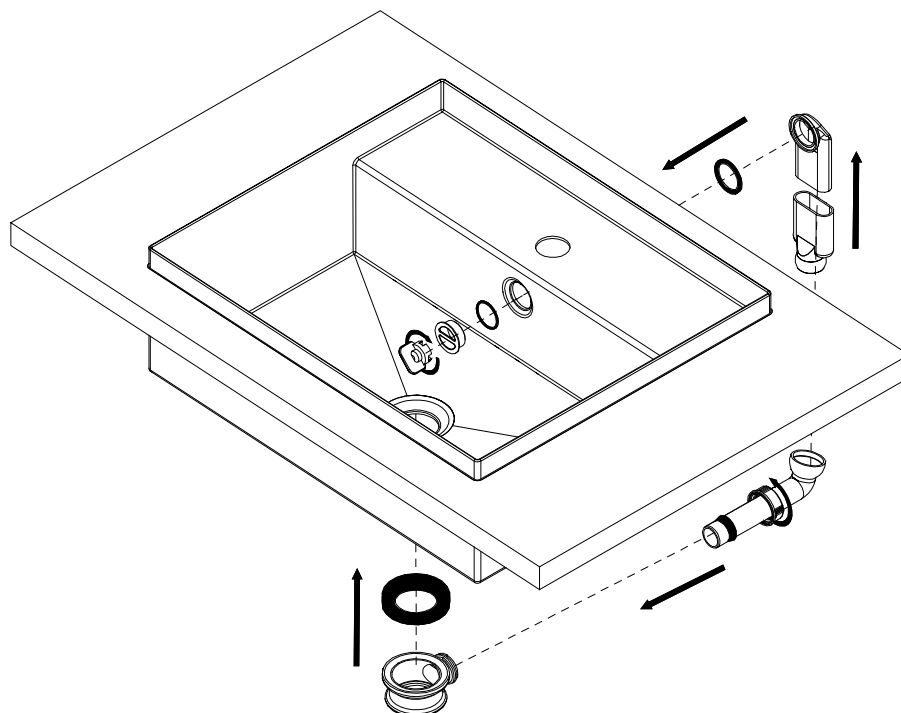


12

500mm x 420mm	X.1= 32mm
525mm x 400mm	X.2= 120mm



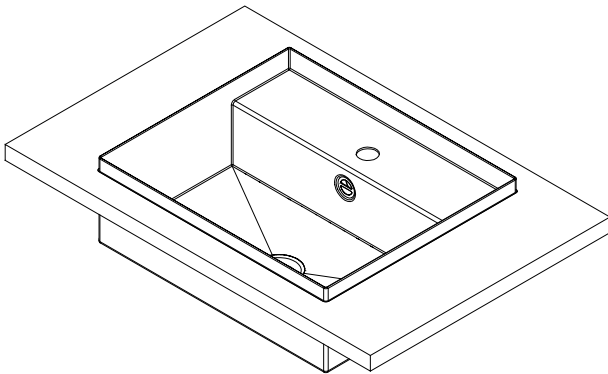
13



Alape[®]

Alape Step Semi Inset Basin White

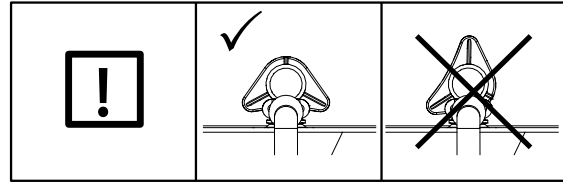
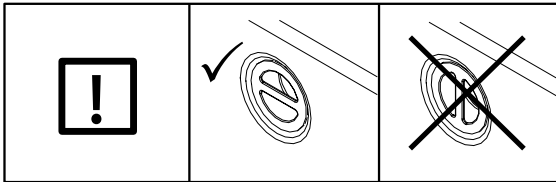
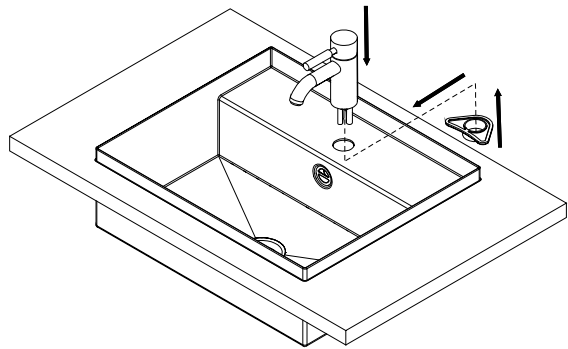
14



15



NOTE: tapware not supplied



16

