

CUSTOMER VALUE THROUGH INNOVATION



Pipe Fittings Range

PVC Pressure Fittings



PVC Pressure Fittings

PVC Pressure Fittings are used extensively in irrigation, pool and spa filters and pump applications for fluid transfer to join PVC-U Class 18 pipe. There are a large range of sizes and configurations available to cover most types of installation.

All fittings require solvent weld (Type P) as per manufacturer’s instructions for a pressurised system.

Generally they are installed below ground, but if installed above ground they may require acrylic paint to mask the effects of UVB irradiance. Adequate pipe support or thrust blocks may be necessary depending on the situation. All PVC-U fittings are electrically non-conductive, and don’t require corrosion protection in aggressive environments.



FITTINGS & VALVES

WaterMark Approved

- Meets WaterMark standards.

Non-Corrosive

- Constructed from non-corrosive materials.

Electrically Non-Conductive

- Will not conduct electricity.

Potable Water Standard

- Manufactured from materials that meet potable water standards.

Specifications

- Temperature rating: 1°C - 60°C
- Pressure rating: 1800kPA*

* Slip fittings pressure rating: 1500kPA (80-100mm)

Standards & Approvals

- Watermark Approved AS/NZS 1477:2006.
- Complies to AS/NZS 4020 for effect on Potable Water.



Applications

- Irrigation.
- Pool.
- Spa.
- Pump
- Fluid Transfer.

Installation

- Requires Solvent Weld (Type P) as per manufacturer’s instructions for a pressurised system.

PVC Expansion & Compression Couplings



Advantages at a glance

- ✓ Pro-Span compressed length is the length of the pipe that needs to be removed.
- ✓ Constructed from non-corrosive materials.
- ✓ Pro-Span patented Grip-Lock feature locks the body to glue both ends of the repair coupling.
- ✓ Will not conduct electricity.
- ✓ Pro-Span uses dual O-rings to reduce chances of leaks.
- ✓ Manufactured from materials that meet potable water standards.

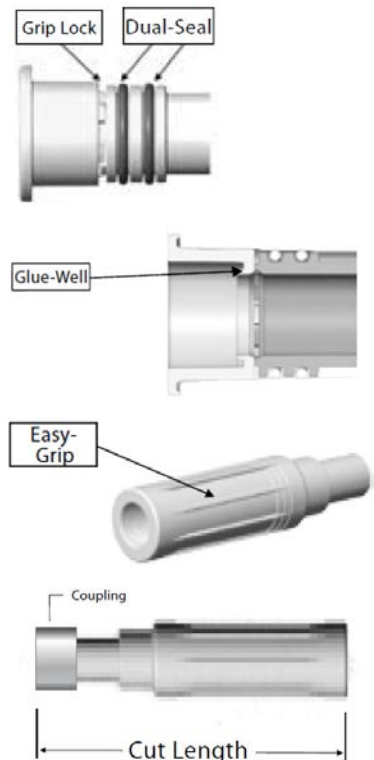
Pro-Span Features & Benefits

The patented "Grip Lock" locking feature stops the spigot from rotating when the fitting is compressed, this allows the body to be used as a handle when gluing the spigot end. When the coupling is extended the body is able to rotate so the socket end can also be glued easily.

The "Glue-Well" is an internal trap for excess glue on the socket end. This ensures the glue stays where it should and prevents the telescopic insert being glued in place.

Gripping the coupling is made easier by the addition of eight bars running along the length of the body which help with extending and gluing the fitting in place.


Cutting damaged pipe is no longer done by guesswork. The compressed length of the coupling can be used to measure the length of pipe to be removed. This length also positions the dual seals correctly within the body when it is installed.

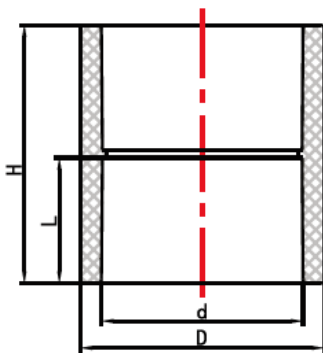


Coupling (CAT. 7) - SLIP

1800 kPa (15-50mm) 1500 kPa (80) - 100mm), AS/NZ 1477, WaterMark Approved.



Group PPF	Coupling (CAT. 7) - SLIP			
	Part number	Item number	Product size	Pack qty / carton qty
	PVC015	08393101075	15mm	1 / 400
	PVC020	08393101080	20mm	1 / 240
	PVC025	08393101095	25mm	1 / 252
	PVC032	08393101110	32mm	1 / 120
	PVC040	08393101125	40mm	1 / 90
	PVC050	08393101145	50mm	1 / 126
	PVC080	08393101165	80mm	1 / 42
	PVC100	08393101070	100mm	1 / 18




Size nom (mm)	D (mm)	d (mm)	L (mm)	H (mm)
15	27.3	21.7	20	43
20	33.6	27.2	22	47
25	40.6	34	24	51
32	50.7	42.7	29	61
40	58.3	48.7	32	68
50	70.8	60.8	38	80
80	103.4	89.4	52	108
100	133	115	62	128

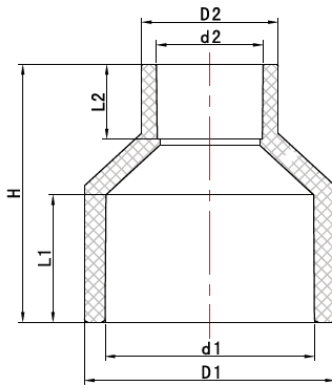
FITTINGS & VALVES

Reducing Coupling (CAT. 8) - SLIP

1800 kPa, AS/NZ 1477, WaterMark Approved.



Group PPF	Reducing Coupling (CAT. 8) - SLIP			
	Part number	Item number	Product size	Pack qty / carton qty
	PVC02515	08393101100	25mm x 15mm	1 / 220
	PVC02520	08393101105	25mm x 20mm	1 / 170
	PVC03220	08393101115	32mm x 20mm	1 / 205
	PVC03225	08393101120	32mm x 25mm	1 / 205
	PVC04020	08393101130	40mm x 20mm	1 / 132
	PVC04025	08393101135	40mm x 25mm	1 / 132
	PVC04032	08393101140	40mm x 32mm	1 / 75
	PVC05025	08393101150	50mm x 25mm	1 / 80
	PVC05032	08393101155	50mm x 32mm	1 / 80
	PVC05040	08393101160	50mm x 40mm	1 / 60



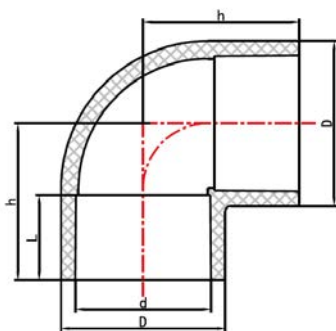
Size nom (mm)	D1 (mm)	d1 (mm)	L1 (mm)	D2 (mm)	d2 (mm)	L2 (mm)	H (mm)
25 x 15	40.6	34	24	27.3	22	20	53
25 x 20	40.6	34	24	33.6	27	22	55
32 x 20	50.7	42.7	29	33.6	27	22	62
32 x 25	50.7	42.7	29	40.6	34	24	64
40 x 20	58.3	48.7	32	33.6	27	22	68
40 x 25	58.3	48.7	32	40.6	34	24	70
40 x 32	58.3	48.7	32	50.7	43	29	76
50 x 25	70.8	60.8	38	40.6	34	24	80
50 x 32	70.8	60.8	38	50.7	43	29	85
50 x 40	70.8	60.8	38	58.3	49	32	89

90° Elbow (CAT. 13) - SLIP

1800 kPa (15-50mm) 1500 kPa (80) - 100mm), AS/NZ 1477, WaterMark Approved.



Group PPF	90° Elbow (CAT. 13) - SLIP			
	Part number	Item number	Product size	Pack qty / carton qty
	PVE15	08393101265	15mm	1 / 280
	PVE20	08393101280	20mm	1 / 160
	PVE25	08393101300	25mm	1 / 108
	PVE32	08393101325	32mm	1 / 65
	PVE40	08393101335	40mm	1 / 58
	PVE50	08393101390	50mm	1 / 34
	PVE80	08393101395	80mm	1 / 20
	PVE100	08393101260	100mm	1 / 16




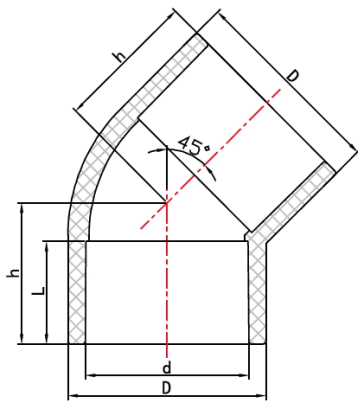
Size nom (mm)	D (mm)	d (mm)	L (mm)	H (mm)
15	27.3	21.7	20	33
20	33.6	27.2	22	37.5
25	40.6	34	24	43
32	50.7	42.7	29	52.5
40	58.3	48.7	32	59.1
50	70.8	60.8	38	71.4
80	103.4	89.4	52	100.2
100	133	115	62	123

45° Elbow (CAT. 10) - SLIP

1800 kPa (15-50mm) 1500 kPa (80) - 100mm), AS/NZ 1477, WaterMark Approved.



Group PPF	45° Elbow (CAT. 10) - SLIP			
	Part number	Item number	Product size	Pack qty / carton qty
	PVE4515	08393101350	15mm	1 / 320
	PVE4520	08393101360	20mm	1 / 200
	PVE4525	08393101365	25mm	1 / 150
	PVE4532	08393101370	32mm	1 / 84
	PVE4540	08393101375	40mm	1 / 48
	PVE4550	08393101380	50mm	1 / 25
	PVE4580	08393101385	80mm	1 / 20
	PVE45100	08393101345	100mm	1 / 10




Size nom (mm)	D (mm)	d (mm)	L (mm)	H (mm)
15	27.3	21.7	20	27.12
20	33.6	27.2	22	29.97
25	40.6	34	24	33.42
32	50.7	42.7	29	40.1
40	58.3	48.7	32	45.05
50	70.8	60.8	38	53.6
80	103.4	89.4	52	73.48
100	133	115	62	88.57

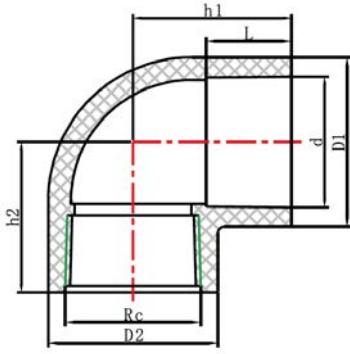
FITTINGS & VALVES

90° Faucet Elbow (CAT. 15) - Slip x FI

1800 kPa, AS/NZ 1477, WaterMark Approved.



Group PPF	90° Faucet Elbow (CAT. 15) - Slip x FI			
	Part number	Item number	Product size	Pack qty / carton qty
	PVE1515F	08393101275	15mm	1 / 260
	PVE2015F	08393101290	20mm x 15mm	1 / 220
	PVE2020F	08393101295	20mm	1 / 160
	PVE2515F	08393101305	25mm x 15mm	1 / 150
	PVE2520F	08393101315	25mm x 20mm	1 / 120
	PVE2525F	08393101320	25mm	1 / 108
	PVE3232F	08393101330	32mm	1 / 66
	PVE4040F	08393101340	40mm	1 / 58



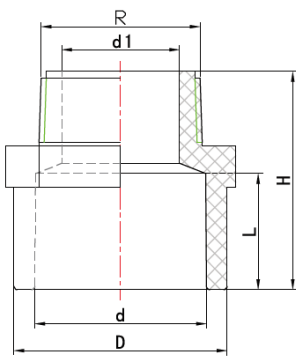
Size nom (mm x in)	D1 (mm)	D2 (mm)	d (mm)	L (mm)	h1 (mm)	h2 (mm)	Rc (in)
15 x 1/2"	28.3	28.3	19.9	20	31	31	1/2"
20 x 1/2"	33.6	28.3	27.2	22	34	33	1/2"
20 x 3/4"	34.6	34.6	27.2	22	36	36	3/4"
25 x 1/2"	40.6	28.3	34	24	37	37	1/2"
25 x 3/4"	40.6	34.6	34	24	39	39	3/4"
25 x 1"	41.6	41.6	34	24	42	42	1"

Valve Socket (CAT. 17) - Slip x MI

1800 kPa, AS/NZ 1477, WaterMark Approved.



Group PPF	Valve Socket (CAT. 17) - Slip x MI			
	Part number	Item number	Product size	Pack qty / carton qty
	PVVS15M	08393101860	15mm	1 / 650
	PVVS20M	08393101865	20mm	1 / 350
	PVVS25M	08393101870	25mm	1 / 220
	PVVS32M	08393101875	32mm	1 / 144
	PVVS40M	08393101880	40mm	1 / 111
	PVVS50M	08393101885	50mm	1 / 105
	PVVS80M	08393101895	80mm	1 / 60
	PVVS100M	08393101855	100mm	1 / 36




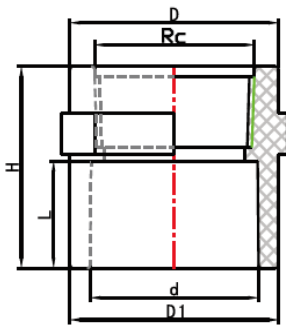
Size nom (mm)	D (mm)	d (mm)	d1 (mm)	L (mm)	H (mm)	R (mm)
15 x 1/2"	28.3	28.3	21.7	20	41	1/2"
20 x 3/4"	34.6	34.6	27.2	22	45	3/4"
25 x 1"	41.6	41.6	34	24	49	1"
32 x 1 1/4"	51.7	51.7	42.7	29	56	1 1/4"
40 x 1 1/2"	59.3	59.3	48.7	32	60	1 1/2"
50 x 2"	71.8	71.8	60.8	38	69	2"
80 x 3"	104.4	104.4	89.4	52	90	3"
100 x 4"	134	134	115	62	106	4"

Faucet Socket (CAT. 18) - Slip x FI

1800 kPa, AS/NZ 1477, WaterMark Approved.



Group PPF	Faucet Socket (CAT. 18) - Slip x FI			
	Part number	Item number	Product size	Pack qty / carton qty
	PVFS15	08393101460	15mm	1 / 450
	PVFS20	08393101465	20mm	1 / 240
	PVFS25	08393101470	25mm	1 / 200
	PVFS32	08393101475	32mm	1 / 140
	PVFS40	08393101480	40mm	1 / 72
	PVFS50	08393101485	50mm	1 / 75
	PVFS80	08393101490	80mm	1 / 24
	PVFS100	08393101455	100mm	1 / 24




Size nom (mm x in)	D (mm)	D1 (mm)	d (mm)	L (mm)	H (mm)	Rc (in)
15 x ½"	28.3	28.3	21.7	20	41	½"
20 x ¾"	34.6	34.6	27.2	22	45	¾"
25 x 1"	41.6	41.6	34	24	49	1"
32 x 1 ¼"	51.7	51.7	42.7	29	56	1 ¼"
40 x 1 ½"	59.3	59.3	48.7	32	60	1 ½"
50 x 2"	71.8	71.8	60.8	38	69	2"
80 x 3"	104.4	104.4	89.4	52	90	3"
100 x 4"	134	134	115	62	106	4"

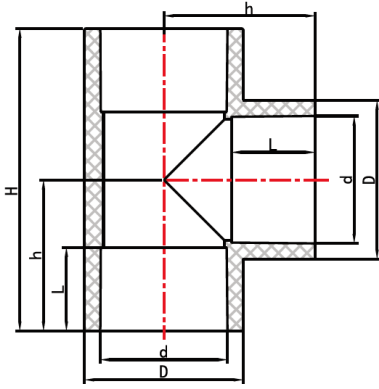
FITTINGS & VALVES

Tee (CAT. 19) - SLIP

1800 kPa (15-50mm) 1500 kPa (80) - 100mm), AS/NZ 1477, WaterMark Approved.



Group PPF	Tee (CAT. 19) - SLIP			
	Part number	Item number	Product size	Pack qty / carton qty
	PVT15	08393101645	15mm	1 / 180
	PVT20	08393101660	20mm	1 / 128
	PVT25	08393101680	25mm	1 / 80
	PVT32	08393101710	32mm	1 / 50
	PVT40	08393101730	40mm	1 / 24
	PVT50	08393101765	50mm	1 / 40
	PVT80	08393101795	80mm	1 / 9
	PVT100	08393101625	100mm	1 / 9



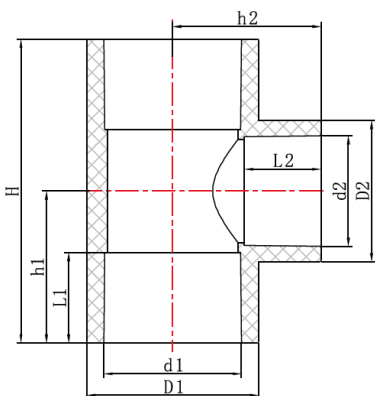
Size nom (mm)	D (mm)	d (mm)	L (mm)	H (mm)	h (mm)
15	27.3	21.7	20	66	33
20	33.6	27.2	22	75	38
25	40.6	34	24	86	43
32	50.7	42.7	29	105	53
40	58.3	48.7	32	118.2	59
50	70.8	60.8	38	142.8	71
80	103.4	89.4	52	200.4	100
100	133	115	62	246	123

Reducing Tee (CAT. 19) - SLIP

1800 kPa, AS/NZ 1477, WaterMark Approved.



Group PPF	Reducing Tee (CAT. 19) - SLIP			
	Part number	Item number	Product size	Pack qty / carton qty
	PVT2015	08393101665	20mm x 15mm	1 / 140
	PVT2520	08393101695	25mm x 20mm	1 / 98
	PVT3225	08393101720	32mm x 25mm	1 / 56
	PVT4020	08393101740	40mm x 20mm	1 / 72
	PVT4025	08393101750	40mm x 25mm	1 / 66
	PVT5020	08393101770	50mm x 20mm	1 / 72
	PVT5025	08393101780	50mm x 25mm	1 / 72
	PVT5040	08393101790	50mm x 40mm	1 / 48
	PVT8025	08393101800	80mm x 25mm	1 / 23
	PVT8050	08393101805	80mm x 50mm	1 / 18
	PVT10050	08393101635	100mm x 50mm	1 / 10
	PVT10080	08393101640	100mm x 80mm	1 / 9




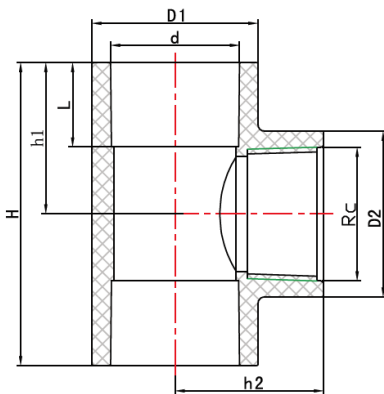
Size nom (mm)	D1 (mm)	d1 (mm)	L1 (mm)	h1 (mm)	D2 (mm)	d2 (mm)	L2 (in)	h2 (mm)	H (mm)
20 x 15	33.6	27.2	22	31.95	27	22	20	35	70
25 x 20	40.6	34	24	39.5	34	27	22	41	79
32 x 25	50.7	42.7	29	48	41	34	24	48	96
40 x 20	58.3	48.7	32	48	34	27	22	48	96
40 x 25	58.3	48.7	32	51.5	41	34	24	51	103
50 x 20	70.8	60.8	38	54	34	27	22	55	108
50 x 25	70.8	60.8	38	57.5	41	34	24	57	115
50 x 40	70.8	60.8	38	65.15	58	49	32	65	130
80 x 25	103.4	89.4	52	72.5	41	34	24	71	145
80 x 50	103.4	89.4	52	86.2	71	61	38	86	172
100 x 50	133	115	62	96.2	71	61	38	98	192
100 x 80	133	115	62	111.2	103	89	52	112	222

Faucet Tee (CAT. 21) - SLIP x FI

1800 kPa, AS/NZ 1477, WaterMark Approved.



Group PPF	Faucet Tee (CAT. 21) - SLIP x FI			
	Part number	Item number	Product size	Pack qty / carton qty
	PVT1515F	08393101655	15mm	1 / 200
	PVT2015F	08393101670	20mm x 15mm	1 / 140
	PVT2020F	08393101675	20mm	1 / 120
	PVT2515F	08393101690	25mm x 15mm	1 / 118
	PVT2520F	08393101700	25mm x 20mm	1 / 100
	PVT2525F	08393101705	25mm	1 / 81
	PVT4015F	08393101735	40mm x 15mm	1 / 72
	PVT4020F	08393101745	40mm x 20mm	1 / 72
	PVT4025F	08393101755	40mm x 25mm	1 / 64
	PVT5025F	08393101785	50mm x 25mm	1 / 68




Size nom (mm x in)	D1 (mm)	D2 (mm)	d (mm)	L (mm)	h1 (mm)	h2 (mm)	H (mm)	Rc (in)
15 x 1/2"	27.3	27.3	21.7	20	31	31	62	1/2"
20 x 1/2"	33.6	27.3	27.2	22	34	34	67	1/2"
20 x 3/4"	33.6	33.6	27.2	22	36.5	35.5	73	3/4"
25 x 1/2"	40.6	27.3	34	24	36	37	71	1/2"
25 x 3/4"	40.6	33.6	34	24	38	39	77	3/4"
25 x 1"	40.6	40.6	34	24	42	41	83	1"
40 x 1/2"	58.3	27.3	48.7	32	44	45	88	1/2"
40 x 3/4"	58.3	33.6	48.7	32	47	47	94	3/4"
40 x 1"	58.3	40.6	48.7	32	50	49	100	1"
50 x 1"	70.8	40.6	60.8	38	56	55	112	1"

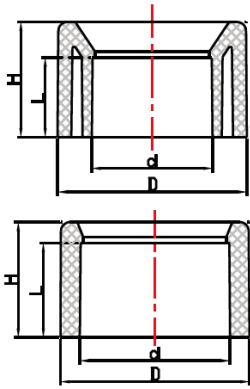
FITTINGS & VALVES

Reducing Bush (CAT. 5) - Spigot x Slip

1800 kPa, AS/NZ 1477, WaterMark Approved.



Group PPF	Reducing Bush (CAT. 5) - Spigot x Slip			
	Part number	Item number	Product size	Pack qty / carton qty
	PVB2015	08393101015	20mm x 15mm	1 / 1000
	PVB2520	08393101020	25mm x 20mm	1 / 500
	PVB3225	08393101025	32mm x 25mm	1 / 260
	PVB4025	08393101035	40mm x 25mm	1 / 270
	PVB4032	08393101040	40mm x 32mm	1 / 270
	PVB5025	08393101045	50mm x 25mm	1 / 195
	PVB5040	08393101055	50mm x 40mm	1 / 195
	PVB8050	08393101065	80mm x 50mm	1 / 100
	PVB10050	08393101005	100mm x 50mm	1 / 48
	PVB10080	08393101010	100mm x 80mm	1 / 48



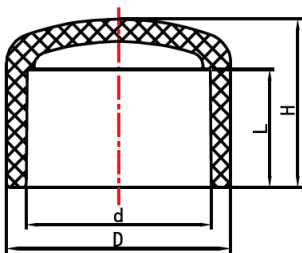
Size nom (mm)	D (mm)	d (mm)	L (mm)	H (mm)
20 x 15	27.2	21.7	20	22
25 x 20	34	27.2	22	24
32 x 25	42.7	34	24	29
40 x 25	48.7	34	24	32
40 x 32	48.7	42.7	29	32
50 x 25	60.8	34	24	38
50 x 40	60.8	48.7	32	38
80 x 50	89.4	60.8	38	52
100 x 50	115	60.8	38	62
100 x 80	115	89.4	52	62

Cap (CAT. 6) - Slip

1800 kPa (15-50mm) 1500 kPa (80) - 100mm), AS/NZ 1477, WaterMark Approved.



Group PPF	Cap (CAT. 6) - Slip			
	Part number	Item number	Product size	Pack qty / carton qty
	PVC15	08393101180	15mm	1 / 720
	PVC20	08393101190	20mm	1 / 450
	PVC25	08393101195	25mm	1 / 240
	PVC32	08393101200	32mm	1 / 190
	PVC40	08393101205	40mm	1 / 150
	PVC50	08393101210	50mm	1 / 108
	PVC80	08393101215	80mm	1 / 60
	PVC100	08393101175	100mm	1 / 36




Size nom (mm)	D (mm)	d (mm)	L (mm)	H (mm)
15	27.3	21.7	20	28.77
20	33.6	27.2	22	32.4
25	40.6	34	24	35.3
32	50.7	42.7	29	42.38
40	58.3	48.7	32	47.06
50	70.8	60.8	38	54.88
80	103.4	89.4	52	76.14
100	133	115	62	92.87

Faucet Adaptor (CAT. 3) - Spigot x FI

1800 kPa, AS/NZ 1477, WaterMark Approved.




Group PPF	Faucet Adaptor (CAT. 3) - Spigot x FI			
	Part number	Item number	Product size	Pack qty / carton qty
	PVFA1515	08393101400	15mm	1 / 450
	PVFA2015	08373101405	20mm x 15mm	25
	PVFA2020	08393101410	20mm	1 / 240
	PVFA2520	08393101415	25mm x 20mm	1 / 200
	PVFA2525	08393101420	25mm	1 / 200
	PVFA3232	08373101430	32mm	20
	PVFA4040	08373101440	40mm	20
	PVFA5050	08373101450	50mm	10

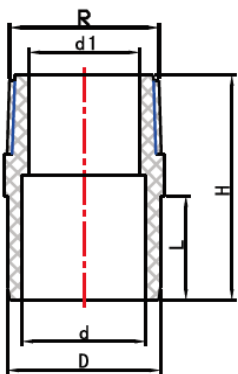
Valve Adaptor (CAT. 2) - Spigot x MI

1800 kPa, AS/NZ 1477, WaterMark Approved.



Group PPF	Valve Adaptor (CAT. 2) - Spigot x MI			
	Part number	Item number	Product size	Pack qty / carton qty
	PVMA15	08393101495	15mm	1 / 500
	PVMA20	08393101500	20mm	1 / 350
	PVMA25	08393101505	25mm	1 / 312
	PVMA32	08393101510	32mm	1 / 190
	PVMA40	08393101515	40mm	1 / 140
	PVMA50	08393101520	50mm	1 / 100
	PVMA80	08393101525	80mm	1 / 36


FITTINGS & VALVES



Size nom (mm)	D (mm)	d (mm)	d1 (mm)	L (mm)	H (mm)	R (mm)
15 x 1/2"	21.2	15.6	13.4	20	44	1/2"
20 x 3/4"	26.6	20.2	17.6	22	48	3/4"
25 x 1"	33.4	26.8	23.2	24	55.5	1"
32 x 1 1/4"	42.1	34.1	30.4	29	62.5	1 1/4"
40 x 1 1/2"	48.1	38.5	34.6	32	66	1 1/2"
50 x 2"	60.2	50.2	45.8	38	77	2"
80 x 3"	88.7	74.7	69.5	52	100	3"


Barrel Union (CAT. 22) - SLIP

1000 kPa, schedule 80.

Group PPF	Barrel Union (CAT. 22) - SLIP			
	Part number	Item number	Product size	Pack qty / carton qty
	PVU15	08393101815	15mm	1 / 288
	PVU20	08393101820	20mm	1 / 240
	PVU25	08393101825	25mm	1 / 123
	PVU32	08393101835	32mm	1 / 72
	PVU40	08393101840	40mm	1 / 45
	PVU50	08393101845	50mm	1 / 24
	PVU80	08393101850	80mm	1 / 12
	PVU100	08393101810	100mm	1 / 8


Compression Coupling (CAT. 30)

1000 kPa, schedule 80.

Group PPF	Compression Coupling (CAT. 30)			
	Part number	Item number	Product size	Pack qty / carton qty
	CPC-0500	08393101535	15mm	1 / 140
	CPC-0750	08393101540	20mm	1 / 108
	CPC-1000	08393101545	25mm	1 / 70
	CPC-1250	08393101550	32mm	1 / 70
	CPC-1500	08393101555	40mm	1 / 48
	CPC-2000	08393101560	50mm	1 / 20
	CPC-3000	08393101565	80mm	1 / 12
	CPC-4000	08393101530	100mm	1 / 6

NDS Telescopic Pro Span Coupling (CAT. 31) - Spigot x Slip

1350 kPa, schedule 80.

Group PPF	NDS Telescopic Pro Span Coupling (CAT. 31) - Spigot x Slip			
	Part number	Item number	Product size	Pack qty / carton qty
	118-05	08373101576	15mm	1 / 28
	118-07	08373101581	20mm	1 / 24
	118-10	08373101586	25mm	1 / 15
	118-12	08373101591	32mm	1 / 10
	118-15	08373101596	40mm	1 / 16
	118-20	08373101601	50mm	1 / 12
	118-30	08373101606	80mm	1 / 3
	118-40	08373101571	100mm	1 / 3

NORMA PACIFIC AUSTRALIA

NATIONAL CUSTOMER SERVICE

P 1300 252 677

F 03 9761 4030

E sales.au@normagroup.com

VICTORIA

74 Bazalgette Crescent,
Dandenong South VIC 3175

P 03 9761 4416

F 03 9761 4030

SOUTH AUSTRALIA

3 Walsh Avenue,
St Marys SA 5042

P 08 8374 3999

F 08 8374 3930

QUEENSLAND

24 Commerce Circuit,
Yatala QLD 4207

P 07 3807 4638

F 07 3807 4929

WESTERN AUSTRALIA

2/16 Gillam Drive,
Kelmscott WA 6111

P 08 9390 3903

F 08 9390 3904



NORMA Pacific PTY LTD | 74 Bazalgette Crescent, Dandenong South, Victoria, Australia 3175

National Customer Service 1300 252 677 | **Fax** +61 (03) 9761 4030 | **Email** sales.au@normagroup.com

This publication supersedes all previous issues. No part of this publication may be reproduced without our prior written consent. In NORMA Group's policy of continual product improvements to meet user needs and technological developments, all models and sets listed in this folder (photographs, specifications, sizes and weights) may be upgraded or discontinued without notice and without any obligation on our part to modify tools or equipment sold previously. The recommendations for use and safety given in this folder do not replace accepted good practice or the safety related legal and regulatory provisions. References to standards implemented as of June 1, 2020 are not contractually binding. All information and data presented within is correct at the time of printing.

