

Movement by Perfection



The Royal League in ventilation, control and drive technology



[Product documentation](#)

Type
FN056-6EQ.4I.V7P2

Article number
156389

Product documentation

Customer
Actrol

Project
Axial fan

ZIEHL-ABEGG Contact
Kenz Zacharias
Tel. +61 2 8883 2854
Email. kenz.zacharias@ziehl-abegg.com.au

ZIEHL-ABEGG Subsidiary
Australia
ZIEHL-ABEGG Australia Pty Ltd (VIC)
181 Calarco Drive
Derrimut
VICTORIA 3030
AUSTRALIA
Phone +61 3 99310899
Fax +61 3 99310499
www.ziehl-abegg.com.au
info@ziehl-abegg.com.au

Type
FN056-6EQ.4I.V7P2

Article number
156389



Contents

1.	Product specification	3
2.	Characteristic Curve	4
3.	Drawing	5
4.	Connection diagram	6

1. Product specification

Technical data

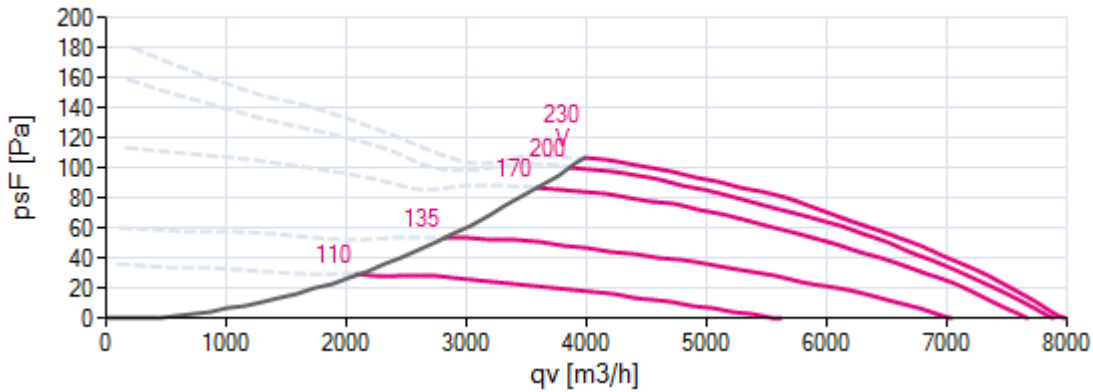
Article number	156389
Type	FN056-6EQ.4I.V7P2
Designation	Axial fan with sickle blades
Rated values	1~230V±10% 50Hz P ₁ 0,46kW 2.20A ΔI=0% 930/min 12.0uF/400V 70°C 1~230V±10% 60Hz P ₁ 0,70kW 3,10A ΔI=0% 1040/min 12,0uF/400V 60°C
Electrical connection	Terminal box K62
Min. operating temperature °C	-25***
Mounting type terminal box	Mounted on Stator
Type of protection	IP54
Thermal class	THCL155
Connection diagram	1360-104XA
Rating plate	1x fixed
Fitting position	H/Vu/Vo
Motor protection	thermal contact
Impregnation	Moisture and hot climate protection
Quality of bearings	ball bearing with long-time lubrication
Material Rotor	Aluminium
Painting rotor	unpainted
Material blades	Aluminium
Painting impeller	unpainted
Guard grille type	ring grill
Control	--
Painting housing	Bell mouth powder-coated consistency class 2
Colour housing	RAL 9005 (jet black)
Painting mot.suspens	Motor suspension powder-coated consistency class 2
colour suspension	RAL 9005 (jet black)
Weight kg	21,00
ErP Data	Efficiency η_{statA} : 29,5 % Efficiency grade: $N_{actual} = 38,1 / N_{target} = 36^*$ *ErP 2013* Does not comply with the stipulations of the ErP regulations

*** Occasional operation $\leq -20^{\circ}\text{C}$ and in consideration of lowest temperature according to product documentation permissible. For cooling applications with continuous operation $\leq -20^{\circ}\text{C}$ cold design on request.

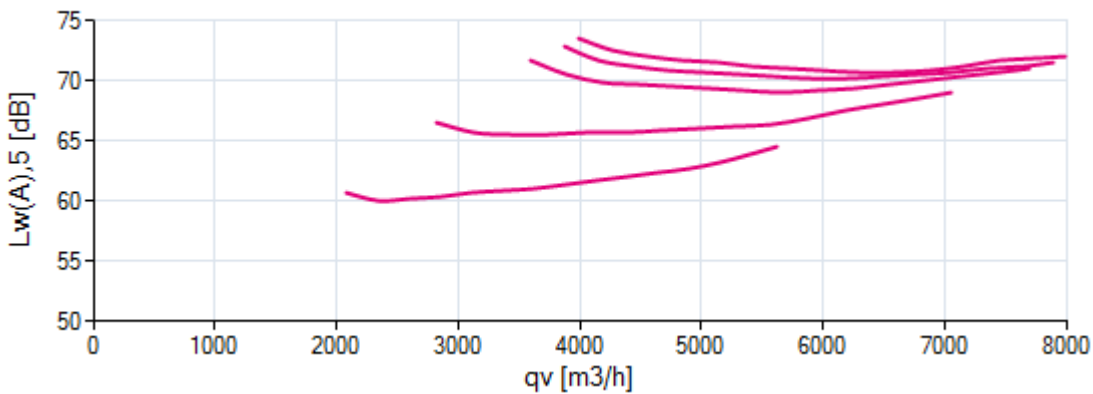
2. Characteristic Curve

FN056-6EQ.4I.V7P2 Gemessen in Volldüse ohne Berührungsgitter in Einbauart A nach ISO 5801
1~ 230V 50Hz Messdichte 1,16

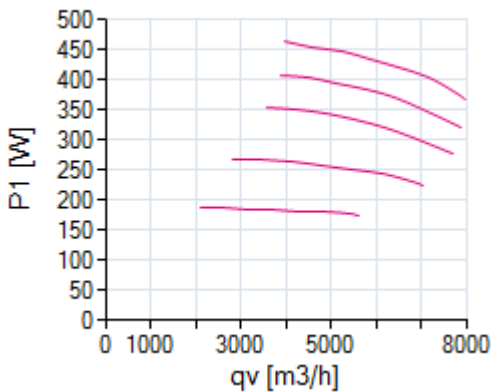
Air performance



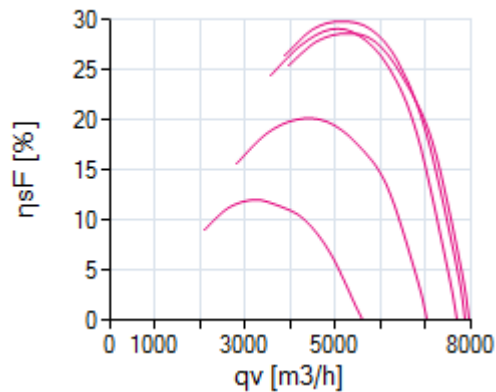
Acoustics



Power input



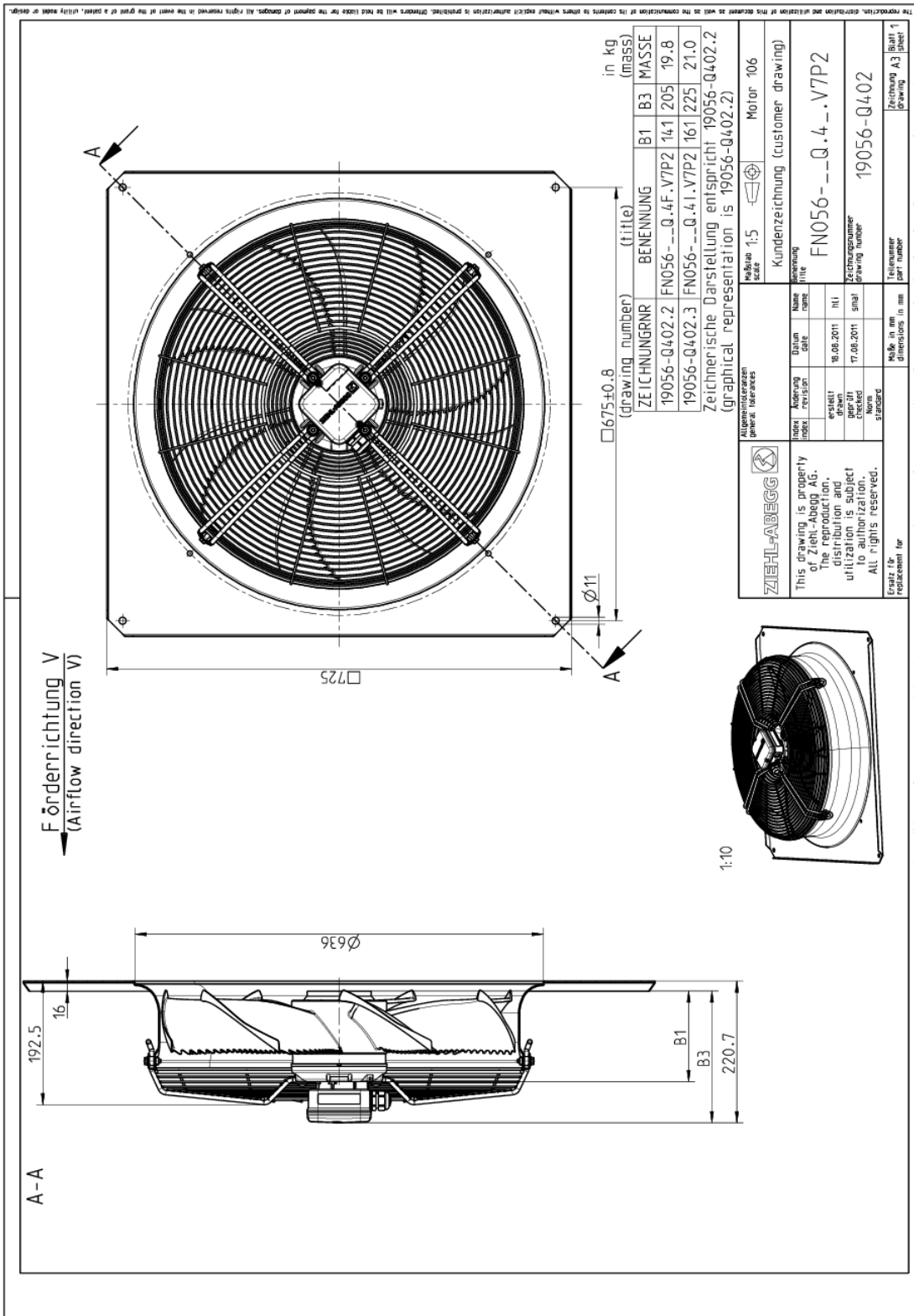
Efficiency



Please note: It's not allowed to use this fan in the stall area!*

*In doubt please ask your responsible ZIEHL-ABEGG sales contact.

3. Drawing



Dimensions in mm

Shown drawing is just to show the dimensions of the fan.

www.ziehl-abegg.com
22/05/2019 1:03:55 PM

Movement by Perfection | Bewegung durch Perfektion

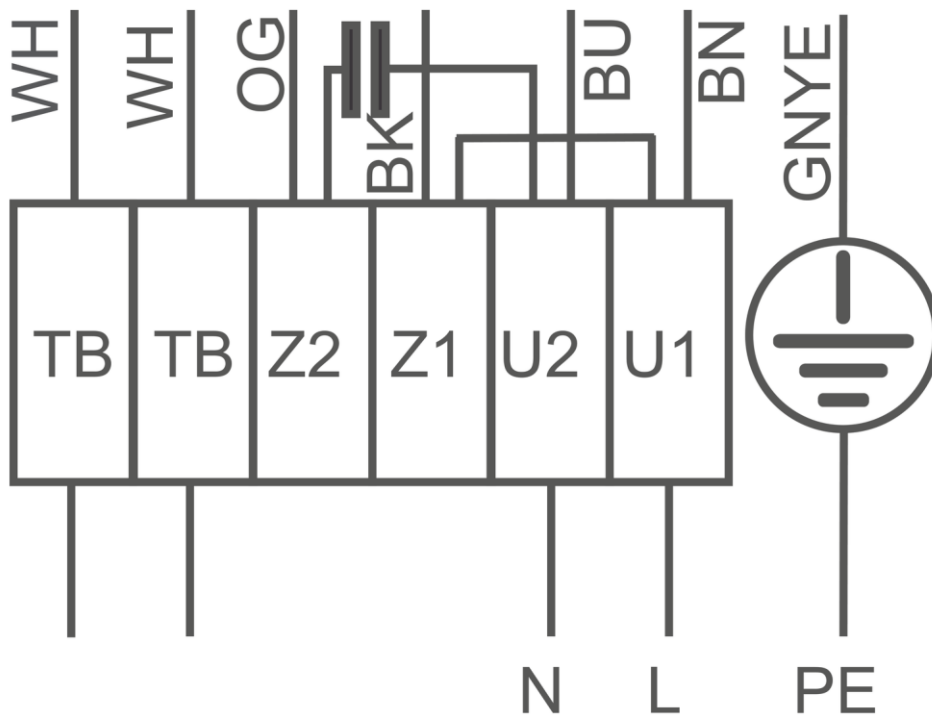
4. Connection diagram

1360-104XA

1-Motor with capacitor and thermostatic switch (if built in).

BN brown
BU blue
BK black
OG orange
WH white
GNYE green-yellow

Clockwise rotation



The Royal League Die Königsklasse



The Royal League in ventilation, control and drive technology

Intelligent control technology for any application

**ZIEHL-ABEGG system capabilities:
Everything from a single source – perfectly matched for optimal performance**

Please contact us. We would be pleased to design an individual solution for your requirements.

We would like to welcome you on our worldwide exhibitions. Please find our next exhibitions [here](#).