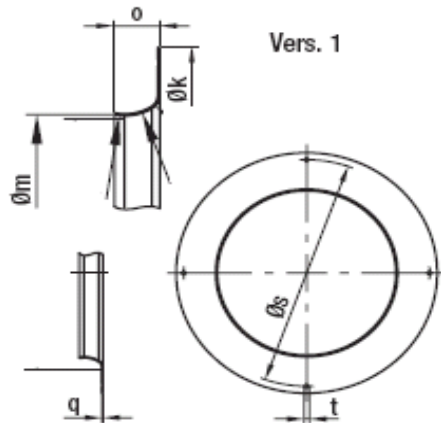


LOCALLY SOURCED INLET CONES



	Outer ring	Inner ring	Height	Hole PCD	Thick
P/N	k	m	o	s	q
INLET CONE 190MM	167	124	15	158	1.2
INLET CONE 220MM	256	155	20	-	1.2
INLET CONE 225MM	220	145	30	-	1.2
INLET CONE 280MM	309	182	52	-	1.2
INLET CONE 350MM	350	224	60	-	1.2
INLET CONE 355MM	348	240	28	-	1.2
INLET CONE 400MM	480	405	30	-	1.2

- **Material:** Galvanised sheet steel