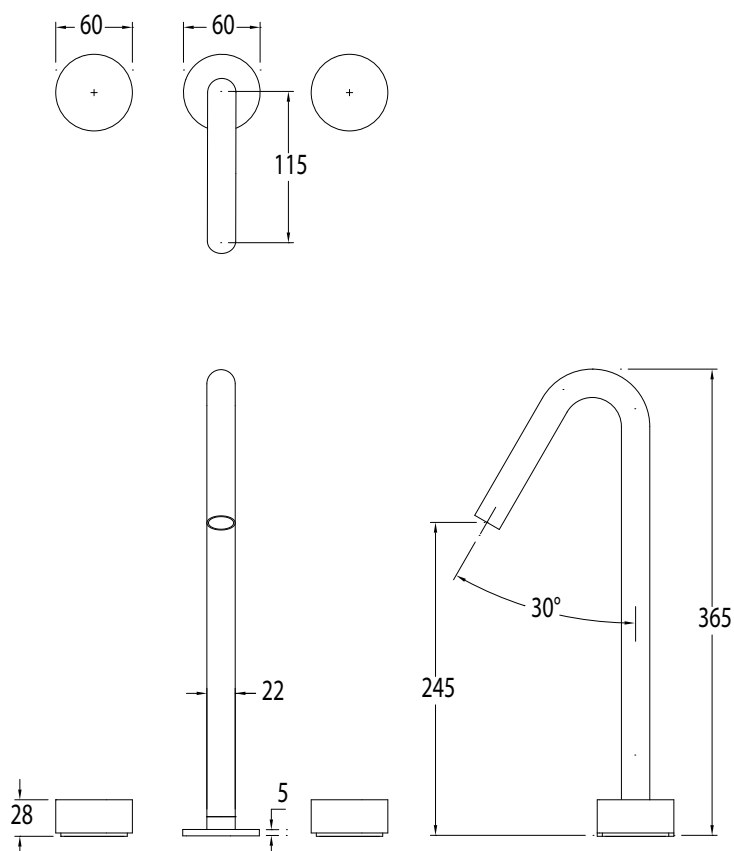


MILLI

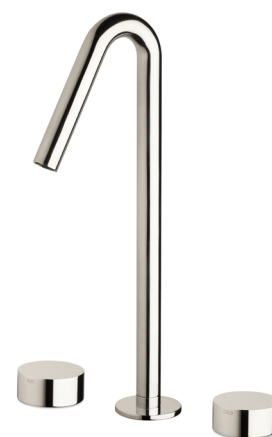
PURE VESSEL BASIN SET



Dimensions are nominal measurements only.

SPECIFICATIONS

Recommended Use	Domestic, Hotel and Commercial.
Finish	Chrome, Matt Black, Rose Gold, Brushed Gunmetal.
Pressure Rating	Maximum continuous operating pressure 1000kPa. As per AS/NZS 3500 pressure must be limited to 500kPa on any new home extension or renovation. For best performance and longer life we recommend 150-500kPa Hot and cold water inlet pressure should be equal.
Temperature Rating	Max continuous working temperature 65 deg. C
Suitable Hot Water Units	Storage Tank: Yes Continuous Flow: Yes Gravity Feed: Not recommended



To see the complete MILLI range go to www.reece.com.au/bathrooms

CLEANING RECOMMENDATIONS

We recommend the use of soapy water or approved cleaners.

This product should not be cleaned with abrasive materials.

Damage caused by any improper treatment is not covered by the product warranty. Refer to Warranty Conditions.



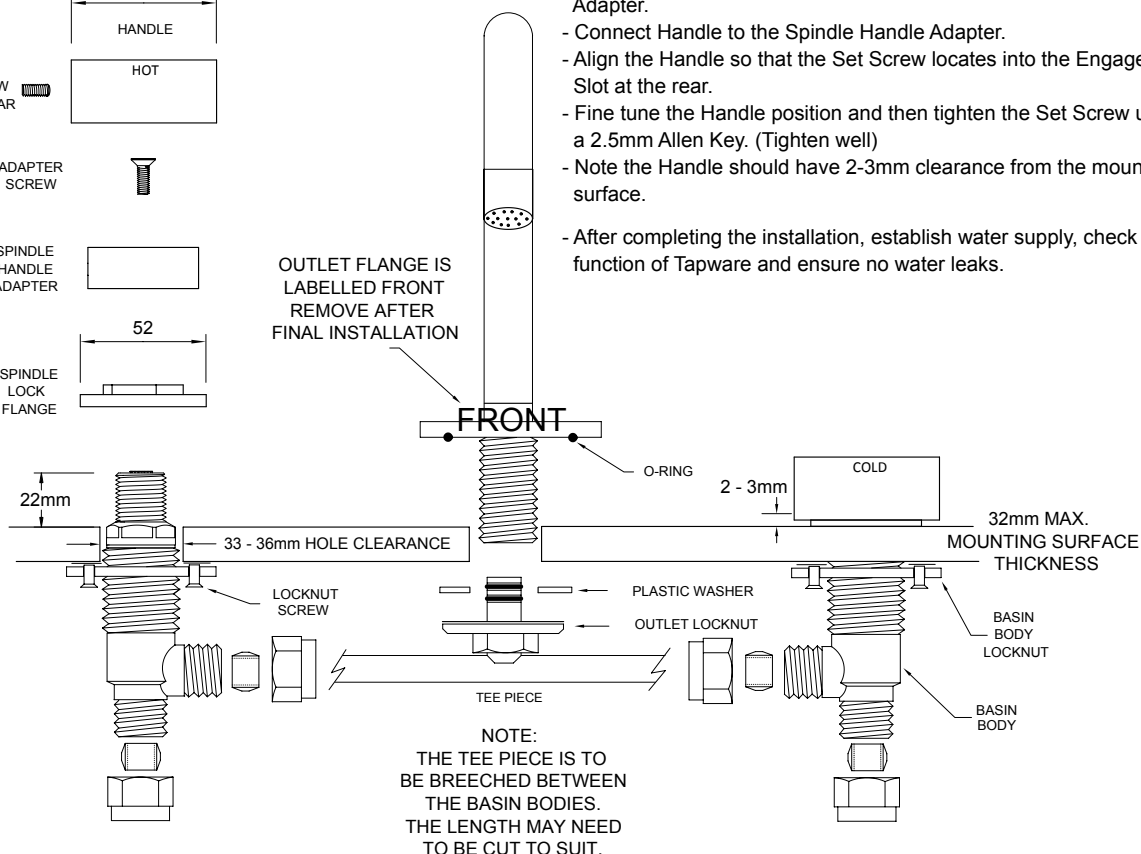
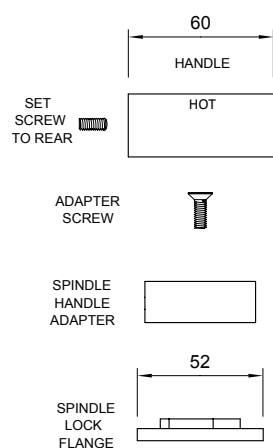
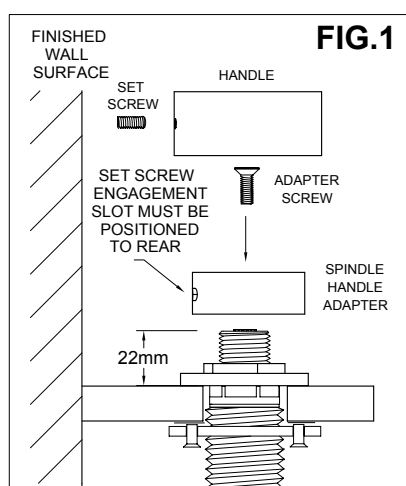
Disclaimer: Products in this specification manual must by regulation be installed by licensed and registered trade people. The manufacturer/distributor reserves the right to vary specifications or delete models from their range without prior notification. Dimensions are nominal measurements only. Dimensions and set-outs listed are correct at time of publication however the manufacturer/distributor takes no responsibility for printing errors.



MILLI PURE VESSEL BASIN SET

INSTALLATION INSTRUCTIONS

- Tapware is to be installed by a Licensed Plumber in accordance with AS/NZS 3500:2003
- Recommended working water pressure 150 - 500 kPa.
- Maximum water temperature is 65 deg.C.
- Maximum Bench Thickness 32mm with Standard Spindles supplied.
- 33 – 36mm Hole Clearance.



UNDER MOUNT INSTALLATION

- The Basin Bodies are supplied with the Spindles fitted ready for installation. (No need to separate)
- Fit Tee Piece to Basin Bodies to create an assembly.
- Measure the distance between the Basin/Hob clearance holes and if required cut the Tee Piece to suit.
- Place the Outlet Locknut and Plastic Washer over the fitting of the Tee Piece. (As shown)
- Align the Basin Body assembly and fit through the mounting surface.
- Fit the Spindle Lock Flanges to support the assembly.
- Adjust the assembly to ensure the distance from the top surface to end of Spindle is 22mm. (As shown)
- Working from underneath tighten the Basin Body Locknuts to make contact with the underside of the mounting surface.
- To complete the installation, tighten the Locknut Screws. (Tighten well)

OUTLET FIT OFF

- Pass Outlet through mounting surface to Tee Piece and secure by tightening Outlet Locknut.
- Outlet must be secured with the "FRONT" label facing the user. Remove label after final installation.

HANDLE FIT OFF (See FIG.1)

- Attach the Spindle Handle Adapter and ensure the Set Screw Engagement Slot is positioned to the rear.
- Fit and tighten the Adapter Screw to secure the Spindle Handle Adapter.
- Connect Handle to the Spindle Handle Adapter.
- Align the Handle so that the Set Screw locates into the Engagement Slot at the rear.
- Fine tune the Handle position and then tighten the Set Screw using a 2.5mm Allen Key. (Tighten well)
- Note the Handle should have 2-3mm clearance from the mounting surface.
- After completing the installation, establish water supply, check function of Tapware and ensure no water leaks.