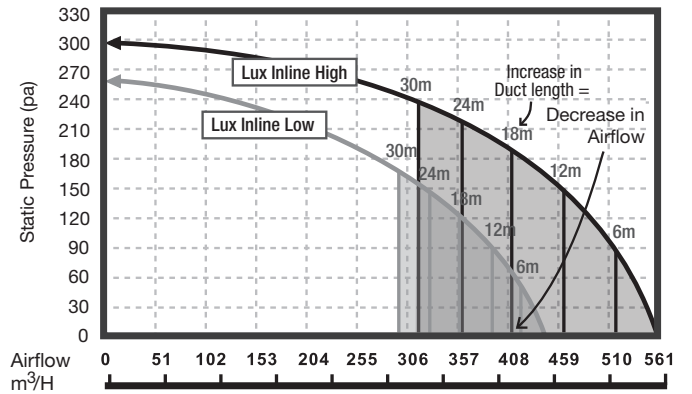
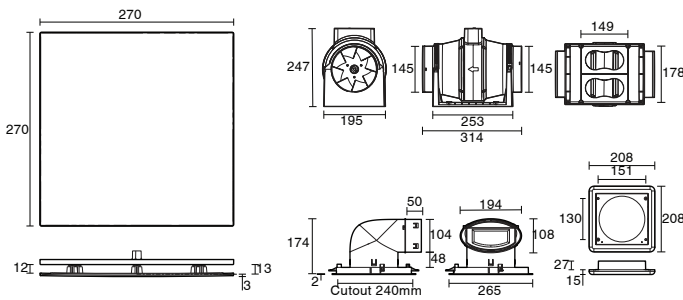


# KADO

## Kado Lux HiFlow Inline Exhaust System Square Matte White

2020366

SPECIFICATIONS	
Recommended Use	Domestic, Hotel & Commercial
Material	ABS Plastic/Stainless Steel
Weight	4.9 kg
Exhaust	(High) 50w / (Low) 40w Inline
Air Extraction	438-561 m3/h
Air Outlet Size	150 mm
Cutout Size	238mm
Min Install Depth	280 mm
Electrical Connection	Plug in (plug & lead included)
IP Rating	IPX4
WARRANTY	
Warranty - Domestic Use	7 Years
Spare Parts & Labour	24 Months
<i>Please refer to Warranty Page for full Terms and Conditions</i>	



Airflow data may vary depending on style of fascia used.

Dimensions are nominal measurements only.

**CLEANING RECOMMENDATIONS:**

We recommend the use of soapy water or approved cleaners. This product should not be cleaned with abrasive materials. Damage caused by any improper treatment is not covered by the product warranty. Refer to Warranty Conditions

**Disclaimer:** Products in this specification manual must by regulation be installed by licensed and registered trade people. The manufacturer/distributor reserves the right to vary specifications or delete models from their range without prior notification. Dimensions are nominal measurements only. Dimensions and set-outs listed are correct at time of publication however the manufacturer/distributor takes no responsibility for printing errors.

Published 04/08/2021

To see the complete Kado range go to [www.reece.com.au/bathrooms](http://www.reece.com.au/bathrooms)

