



## Base Vanity Unit

### Assembly Instructions - Vanity Unit - 2 Doors

**PARTS INCLUDED**

1. Cabinet	1 PC
2. Shelf	1 PC
3. Shelf Support	4 PCS

**Step 1**

**Step 2**

### Installation Instructions

1. Set up water inlet point and waste for vanity top.
2. Place vanity into position and ensure it is level (make minor adjustment if required).
3. Drill pilot holes in the back of the unit and fix unit to the wall using suitable screws. Ensure that the screws are fixed securely into a solid wall or timber noggin. Minor adjustments may need to be made to align drawer runners and hinges.
4. All final door and drawer adjustments are the responsibility of the installer at the time of installation.
5. External edges where the unit meets the floor and wall should be sealed using flexible waterproof sealants.

### CLEANING RECOMMENDATIONS

We recommend the use of soapy water or approved cleaners for the Vanity Top. Cabinets are moisture resistant. Cabinet surfaces should be cleaned with a damp cloth and dried. This product should not be cleaned with abrasive materials. Damage caused by any improper treatment is not covered by the product warranty - refer to Warranty Conditions

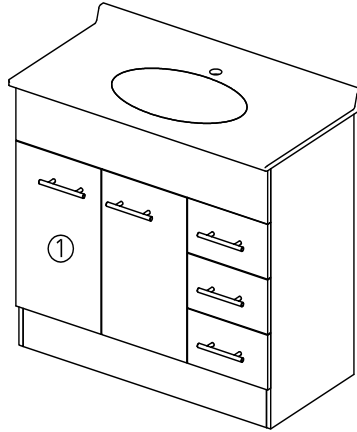
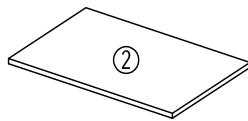


## Base Vanity Unit

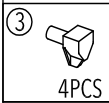
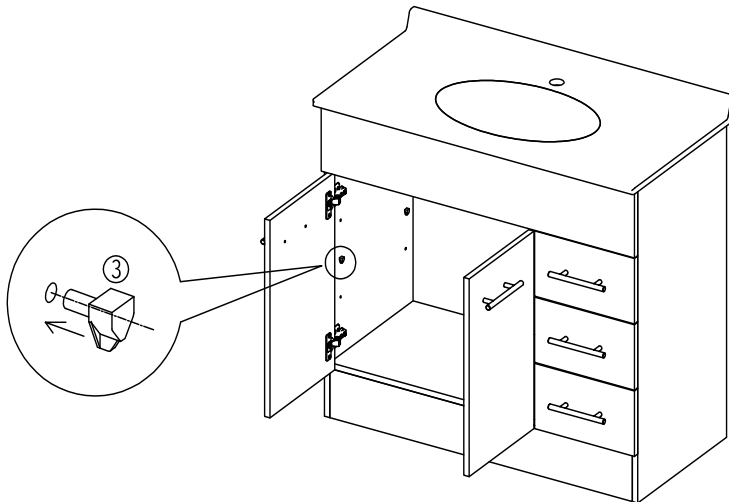
### Assembly Instructions - Vanity Unit - 2 Doors & 3 Drawers

PARTS INCLUDED

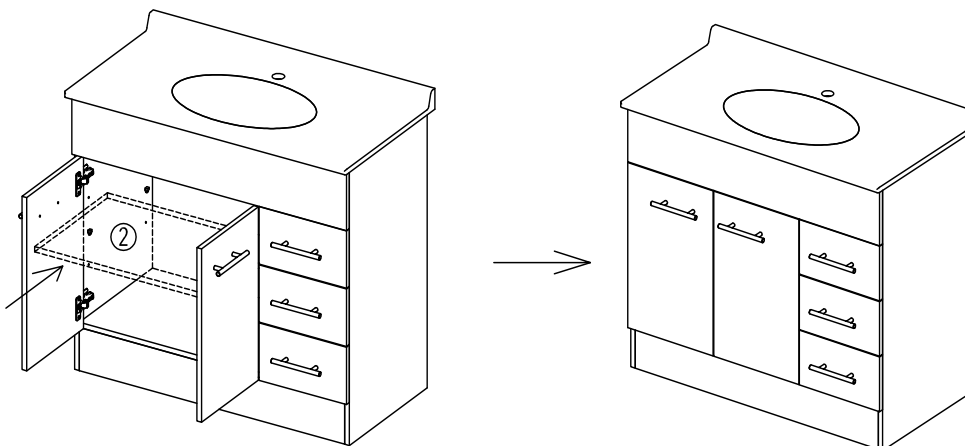
- 1. Cabinet 1 PC
- 2. Shelf 1 PC
- 3. Shelf Support 4 PCS



#### Step 1



#### Step 2



Please ensure a copy of the installation instructions is left with the end user for future reference