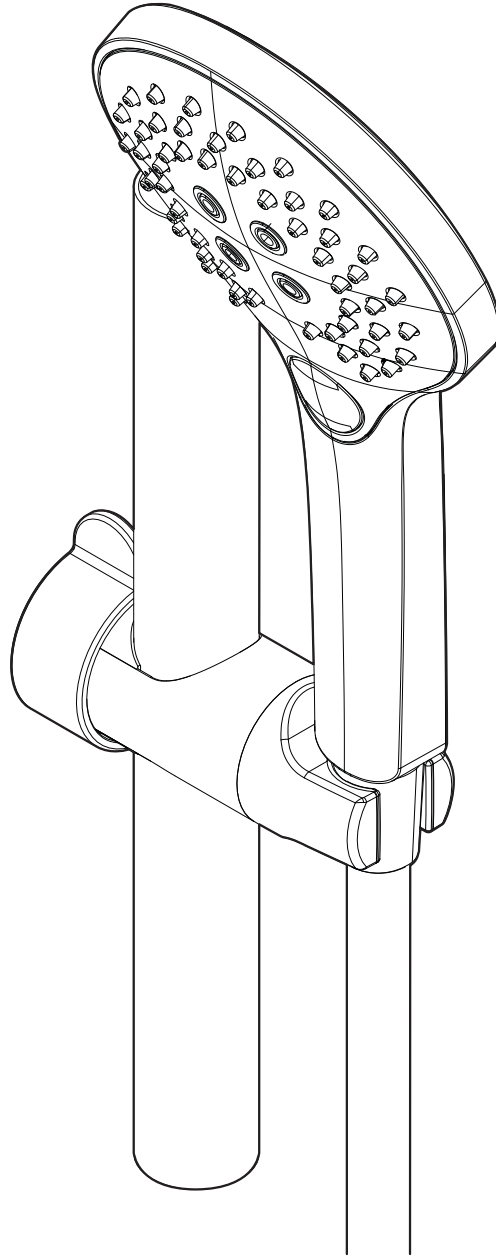


mizu

Drift Shower Grab Rail Conversion Kit 3 Function with Water Inlet (5 star)



Installation Instructions



Clean with mild detergent or clear liquid cleansers. Wipe dry with a clean soft cloth.



Do not use steel wool or any abrasive cleansers.



Avoid prolonged exposure to any chemical solution containing chlorides or acids. Surface damage caused by acids will void warranty.

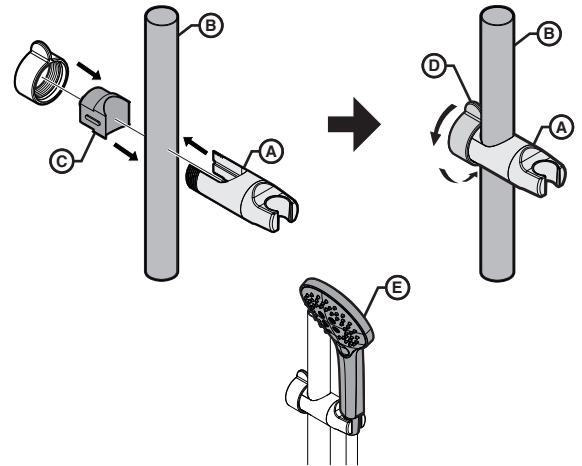
mizu

Drift Shower Grab Rail Conversion Kit 3 Function with Water Inlet (5 star)

Shower Kit Installation

Separate the 3 components of the Grab Rail Handset Cradle ready for installation.

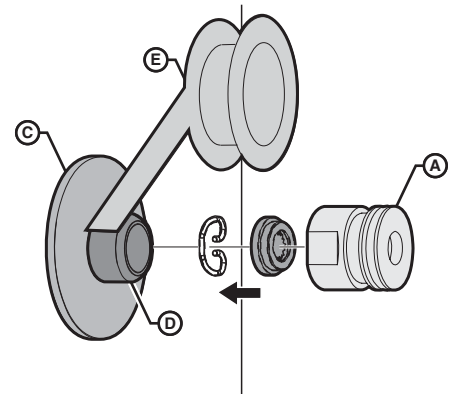
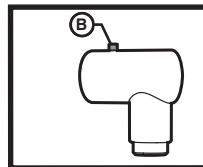
1. Place the ABS Glide Body (A) over the Grab Rail (B). Insert the Body Spacer (C) into the ABS Glide Body (A).
2. Glide Slide Body (A) ensuring it aligns with the Grab Rail (B).
3. Screw the Lock Nut (D) onto the ABS Glide Body (A) so it is secure on the Grab Rail (B).
NOTE :Do not over tighten.
4. Place the handset (E) into the ABS Glide Slider claw and position as desired.



Screw elbow onto wall fitting.

5. Remove spigot (A) by loosening grub screw (B) in elbow. Fit flange (C) over wall outlet. Seal thread (D) with thread tape (E), screw spigot (A) onto wall outlet until seated firm against flange (C).

Note: Thread should be protruding 10-14mm from wall.



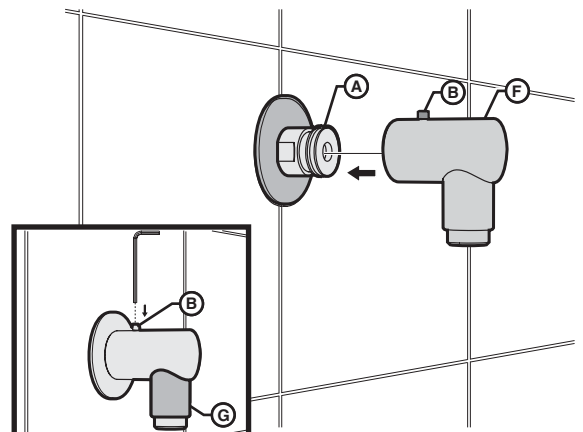
6. Make sure 5mm grub screw (B) is flush with inside of spigot (A) housing (to avoid o-ring damage). Push elbow (F) onto spigot (A) firmly ensuring that the o-ring seal is fully engaged and the elbow (F) finishes flush with the wall plate.

Note: Ensure there is no gap between spigot and flange.

7. Use 2.5mm hex key supplied, tighten 5mm grub screw (B).

Standards Mark Valve Cover

8. Remove sticker after inspection (G).



Care Details

We recommend the use of soapy water or approved cleaners. This product should not be cleaned with abrasive materials. Damage caused by any improper treatment is not covered by the product warranty. Refer to Warranty Conditions

Plumbers, please ensure a copy of the installation instruction is left with the end user for future reference.

