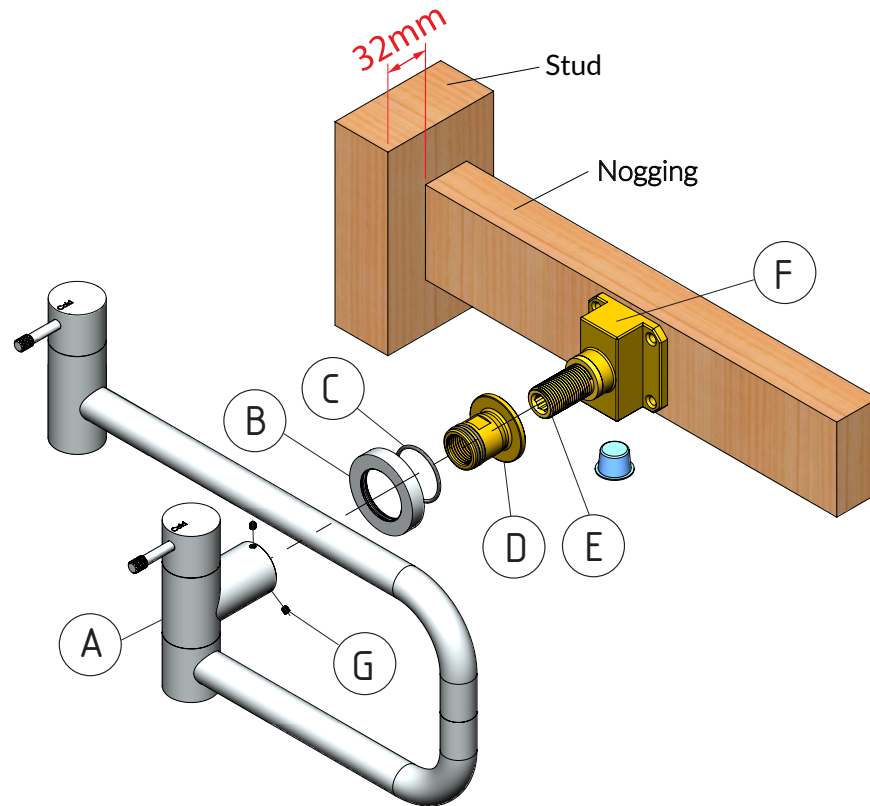


Scala Nova Pot Filler

SUSSEX



Product code

SNPF.01

Install Preparation:

- Ensure all parts are accounted for.
- The Pot Filler's spout should be positioned 50mm above the highest pot. Mounting point is typically 400 - 450mm above the centre of the cook top.

Product parts:

- (A) Pot Filler
- (B) Dress Ring
- (C) Dress Ring O-Ring
- (D) Wall Adaptor
- (E) G1/2 Tail
- (F) In-Wall Body
- (G) Set Screw (x3)

Plumbers note:

- Tapware is to be installed by a Licensed Plumber in accordance with AS/NZS 3500:2021
- Recommended working water pressure 300 - 500 Kpa. Maximum water temperature is 65°C
- After installation, ensure that tapware functions correctly without leaks.
- Please ensure a copy of the Installation Instructions are left with the end user for future reference.



www.reece.com.au



While we aim to ensure the specifications shown are correct at time of printing, Sussex Taps reserves the right to make modifications without prior notice. Always use the physical product for accurate measurements. Dimensions are subject to change without notice. All measurements are shown in millimetres. This product complies with lead free requirements.

Copyright © Sussex Taps

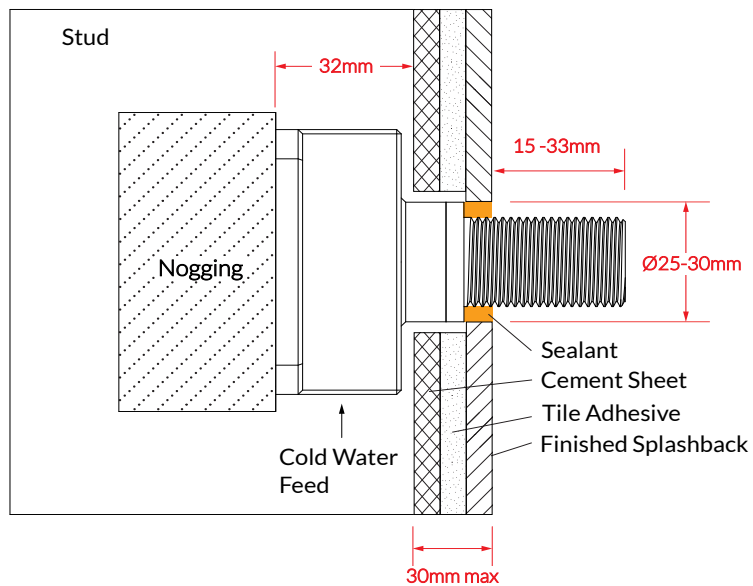
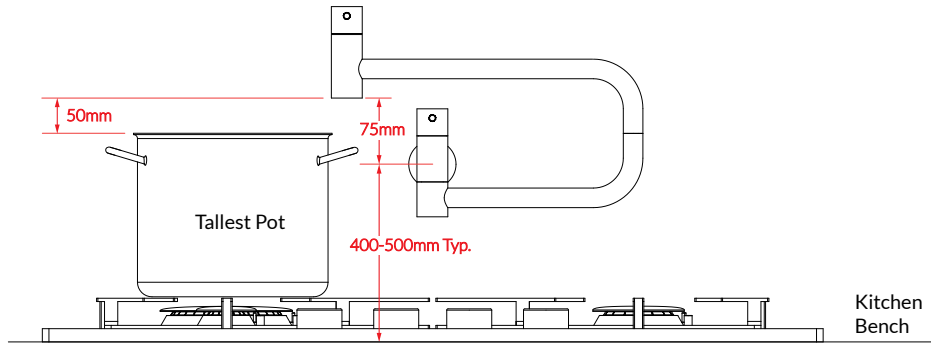
Rough-in

Step 1

Default Nogging set back for a tiled splashback should be 32mm. Maximum Wall covering thickness should not exceed 30mm. Secure the In-Wall Body (F) to the Nogging using the screws provided.

Finished G1/2 Tail (E) should protrude 15-33mm from the finished wall.

If retrofitting onto an existing G1/2 Tail, make sure there are at least 15mm of thread from the finished wall.

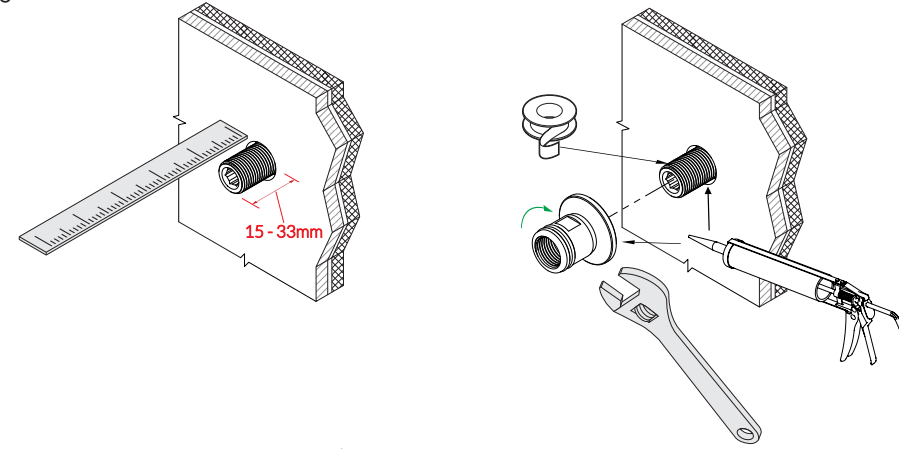


Fit Off

Step 2

Trim and deburr if the G1/2 Tail is protruding more than 33mm. Apply sealant and seal the Wall around the G1/2 Tail (E) to ensure the installation is water-tight.

Apply Teflon Tape or thread sealant on the G1/2 Tail (E). Apply sealant on the back of the Wall Adaptor (D) then screw onto the G1/2 Tail (E) till the Wall Adaptor (D) meets the wall. Tighten well.



Step 3

Pull back the Dress Ring (B) to reveal the 3x Set Screws (G). Unscrew the Set Screws (G) 1 or 2 turns. Apply some plumbing grease on the Wall Adaptor (D)'s O-rings. Carefully push on the Pot Filler onto the Wall Adaptor (D).

Tighten 3x Set Screws in small increments, check with a spirit level to make sure the Pot Filler is level to the kitchen bench. Push the Dress Ring (B) towards the wall.

