

KADO

ERA MIRRORED SHAVING CABINET

900 / 1200 / 1600



To see the complete KADO range go to
www.reece.com.au/bathrooms

SPECIFICATIONS

Recommended use	Domestic
Size availability:	900 x 150 x 600mm 1200 x 150 x 600mm 1600 x 150 x 600mm
Material:	Cabinet: All white matte/satin polyurethane with v-groove panelling Interior: Café Oak moisture resistant (MR) veneer
Fixing requirement:	Wall hung A licensed (plumber/builder) installer is required
Mechanisms:	Soft closing door/s Black metal or chrome cup handles Two (2) adjustable Café Oak moisture resistant (MR) veneer shelves behind each door

CLEANING RECOMENDATIONS

We recommend the use of soapy water or approved cleaners.

This product should not be cleaned with abrasive materials.

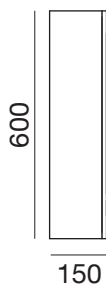
Damage caused by any improper treatment is not covered by the product warranty – refer to warranty conditions.

KADO

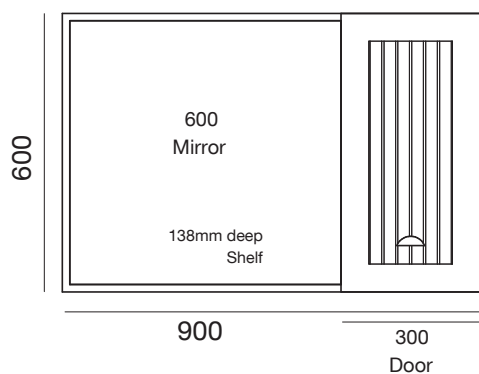
ERA MIRRORED SHAVING CABINET

900 / 1200 / 1600

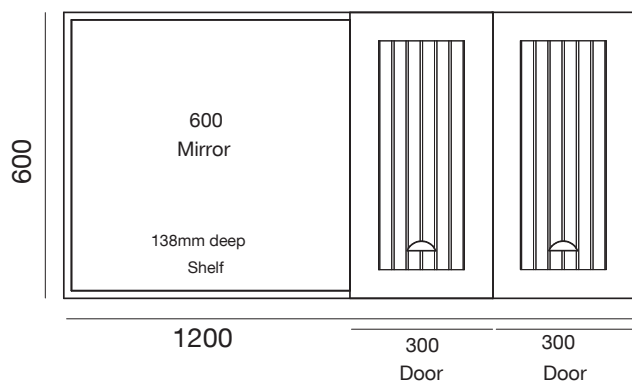
Side View - all Cabinets



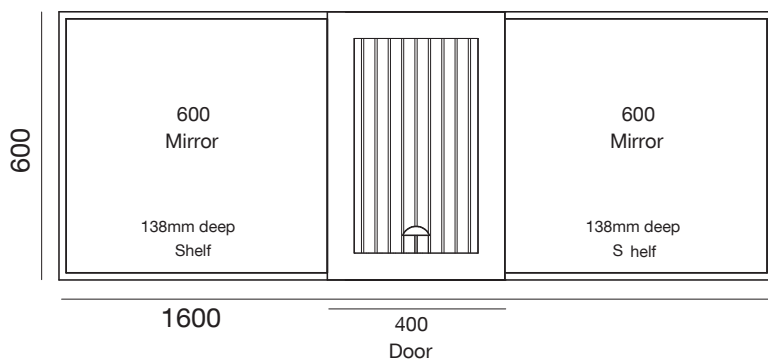
900mm



1200mm



1600mm



Dimensions are nominal measurements only

KADO

ERA MIRRORED SHAVING CABINET

900 / 1200 / 1600

INSTALLATION INSTRUCTIONS

PLEASE INSPECT YOUR CIBO PRODUCT ON DELIVERY (OR PICKUP), PRIOR TO INSTALLATION

CIBO Design's stringent quality control procedures ensure products leave our manufacturing facility in optimum condition.

A visual inspection must be made of the product on delivery (or pick up), by the person receiving it, prior to installation. Please pay careful attention when removing the wrapping materials. If the product has marks, chips or imperfections deemed unacceptable and/or has been damaged in transit, the product should not be installed.

Please contact place of purchase immediately, to advise of your concerns (prior to installation).

If the product has been installed CIBO Design will not accept responsibility or obligation to repair or supply a replacement product.

CIBO's detailed Product Installation, Care and Maintenance Guide can be downloaded at: www.cibodesign.com.au

MIRRORED CABINET INSTALLATION TIPS

1. Fix mirrored cabinet to timber stud or masonry wall via use of split batten provided.
2. No set fixing points.
3. Separate loose split batten section from rear of mirrored cabinet and screw into stud or brick/masonry wall – ensure accuracy by using a spirit level.
4. Hang mirrored cabinet by setting batten sections together.
5. Mirror can be adjusted slightly from left to right along battens.

REMOVING/REPLACING DOOR(S)

During installation, it is advisable to remove doors (and drawers) from the cabinet. To do this you need to unclip all the hinges on each door.

To Remove Doors:

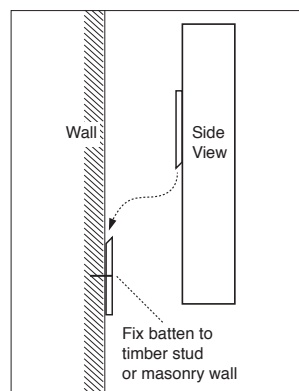
Locate the front of the hinge and pull the hinge away from the side of the cabinet. Ensure that the door is supported so the door does not disengage from the cabinet and fall.

To Replace Doors:

Line up the hinges with their corresponding hinge plates. At the base of the hinge there is a small metal rod that needs to be lined up with cradle arms of the hinge-plate. Once the hinge is in place, push the top of hinge down towards the hinge-plate. The hinge should engage by snapping down.

MIRROR CARE & MAINTENANCE

Care must be taken when cleaning glass and mirror, we recommend clean, warm water used with a 'Micro' (soft, lint-free) cloth. Wring out all water before wiping glass and mirror. Dry immediately with a dry 'Micro' (soft, lint-free) cloth. Do not use acid, alkali or abrasive cleaners (including commercial mirror cleaners that contain ammonia or vinegar) on the mirror surface. Care should be taken to avoid contacting mirror edges with any liquid.



Plumbers, please ensure a copy of the installation instructions is left with the end user for future reference