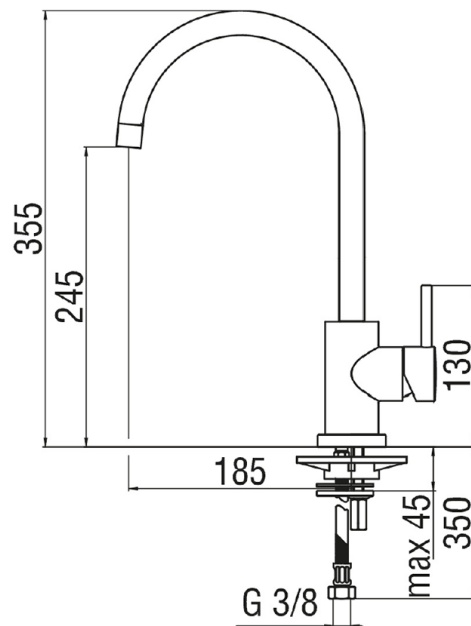


Nobili Oz T7 Gooseneck Sink Mixer Chrome (4 Star)



SPECIFICATIONS

Recommended use	Domestic, hotel and commercial
Colour availability	Chrome
Pressure rating	Maximum continuous operating pressure 1000kPa. Note: As per AS3500 pressure must be limited to 500kPa on any new home, extension or renovation. Note: For best performance and longer life we recommend max 150-500 kPa
Temperature rating	Maximum continuous working temperature 65°
WELS	Stars: 4 Flow rate: 7 L/min
Suitable Hot Water Units	Storage tank: Yes Continuous Flow: Yes Gravity Feed: Not recommended
Standards	AS 3718

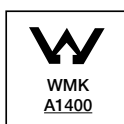
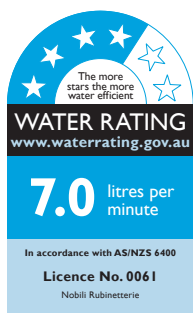


CLEANING RECOMMENDATIONS

We recommend the use of soapy water or approved cleaners.

This product should not be cleaned with abrasive materials.

Damage caused by any improper treatment is not covered by the product warranty - Refer to Warranty Conditions.



Disclaimer: Products in this specification manual must by regulation be installed by licensed and registered trade people. The manufacturer/distributor reserves the right to vary specifications or delete models from their range without prior notification. Dimensions and set-outs listed are correct at time of publication however the manufacturer/distributor takes no responsibility for printing errors.

Tech Page Version 4

Nobili Oz T7 Gooseneck Sink Mixer Chrome (4 Star)

INSTALLATION INSTRUCTIONS

Note

Mixer must be installed by a qualified plumber.

Important

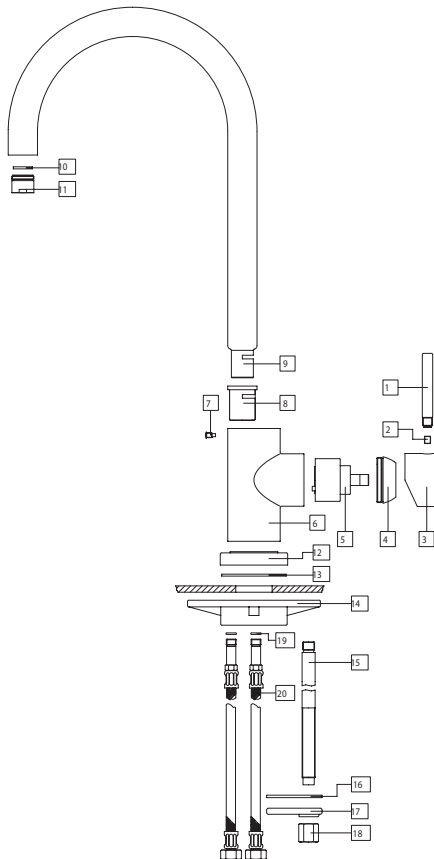
Your mixer comes to you already factory assembled and tested. We do not recommend the dismantling of any internal part of the mixer. The mixers are factory tested and sealed so as to give the best performance.

1. Please flush out new pipe work prior to connecting the new mixer.
2. All mixers should be installed with isolating stop cocks (Arco brand recommended).
3. In some areas where the incoming water exceeds 500kpa, an approved pressure limiting device must be installed. Equal pressure for hot and cold water supply is required for this single lever mixer.
4. Mixers are recommended for use on mains pressure and instantaneous systems only.
5. Place the base washer into position (13).

6. Fit the mixer body (6) into the sink hole making sure first that the flexible connectors (20) are firmly tightened into base of the body.
7. Do not use teflon tape on threads.
8. From underneath apply the fixing plate (14) prior to positioning the under bench washer (16), horse shoe plate (17) and hex nut (18).
9. Lock the mixer onto the sink by tightening the hex nut (18).
10. Clean aerator (11) at regular intervals, particularly if you notice a drop in pressure.

SERVICING - Replacement of Cartridge

1. Remove handle lever (1) and unscrew the grub screw (2).
2. Remove handle body (3) and dress ring (4).
3. Lift out cartridge (5) and replace with new, making sure the two lugs on bottom of the cartridge sit properly into the allocated holes at the base of the mixer body (6).



Exploded View

Item	Description	Spare Part Code
1	Lever	
2	Grub screw	
3	Handle body	
4	Dress ring for cartridge	
5	Cartridge	
6	Mixer body	
7	Outlet locking screw	
8	Outlet fixing	
9	Outlet	
10	Aerator washer	
11	Aerator	
12	Dress ring	
13	Base washer	
14	Fixing plate	
15	Fixing rod	
16	Under bench washer	
17	Horse shoe plate	
18	Hex nut	
19	Flexible tail o-ring	
20	Hot water flexible tail	192034
	Cold water flexible tail	192035