

## Isla Outdoor (316) Stainless Steel Sinks

### IMPORTANT NOTE:

Plumbing connections must be installed to the requirements of AS/NZS 3500 by a qualified plumber.

### Prior to Installation:

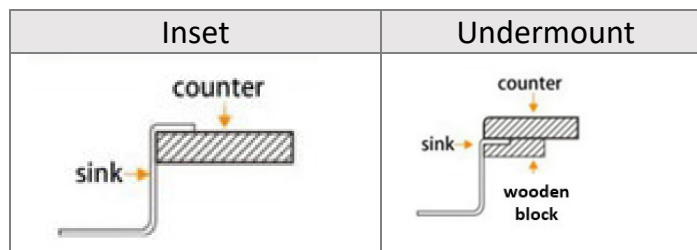
Examine the sink for any visible defects or imperfections. Do not install if any defects are found.

If wall mounted tapware is to be used, consideration should be made to length of outlet and positioning of the sink on bench top. If tapware is to be bench mounted, allow suitable top width for fitting tapware.

### Components Supplied:

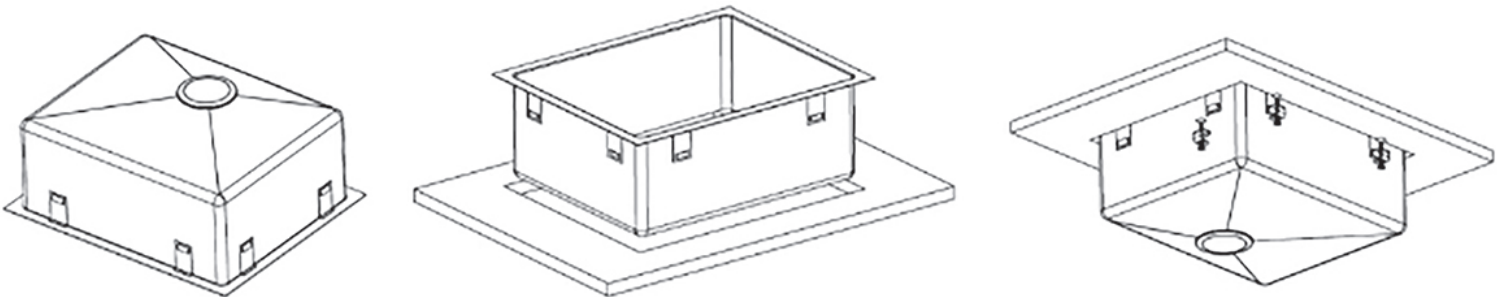
Sink, cut-out template, basket waste and fixing clips.

### Types of Installation:



Both inset and undermount cut-out template is provided, please ensure the correct one is used for the appropriate installation method.

### INSET INSTALLATION:



1. Use template provided to trace and cut out the benchtop.
2. Position the sink into the bench top.
3. Hook the clips into the allocation positions on the sink.
4. Secure the sink by tightening the screw, ensure to use a low torque setting if tightening with a power tool.
5. Plumb up tapware and waste fittings.

Please ensure a copy of the installation instructions is left with the end user for future reference

Published 27/11/2023

## Isla Outdoor (316) Stainless Steel Sinks

### UNDERMOUNT INSTALLATION:

1. Use template provided to trace and cut out the benchtop and underlay.
2. Silicone both the underneath rim of the undermount bowl and around the underlay/timber lining cut out. Don't let the silicone dry before the sink is fitted to the benchtop.
3. Place sink into position.
4. Sandwich Technique (Figure 3) - Fix support board and ensure sink flange sits firstly and flat against the top benchtop surface.
5. Fixing Clips (Figure 4) - For stone and solid benchtops, ensure to affix wooden blocks to the underside of benchtops to screw fixing clips into. Mark out position of fixing clips and drill hole into support block for lock screws. Secure sink into position by tightening the screw.
6. Remove excess silicone.
7. Plumb up tapware and waste fittings.

Figure 3

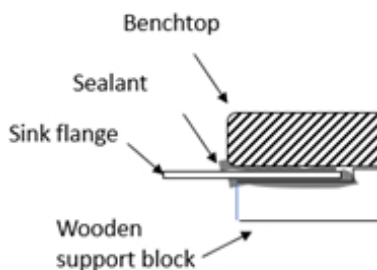
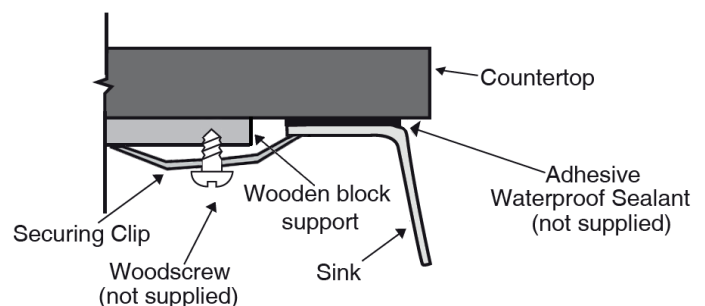


Figure 4



### CLEANING RECOMMENDATIONS:

We recommend the use of soapy water or approved cleaners.

This product should not be cleaned with abrasive materials.

Damage caused by any improper treatment is not covered by the product warranty - refer to Warranty Conditions.

**Please ensure a copy of the installation instructions is left with the end user for future reference**